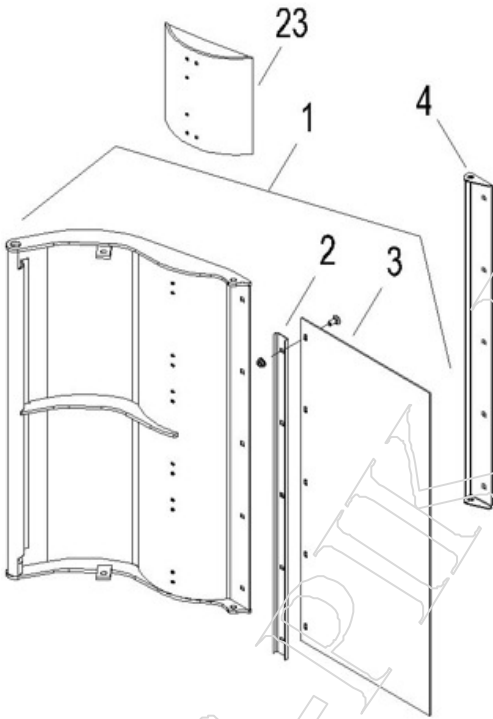
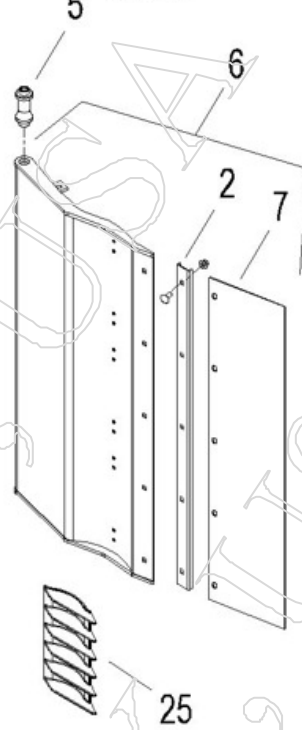


CERTI-PIK, USA - SINGLE PIK - Extended Deep-Dish Pressure Doors

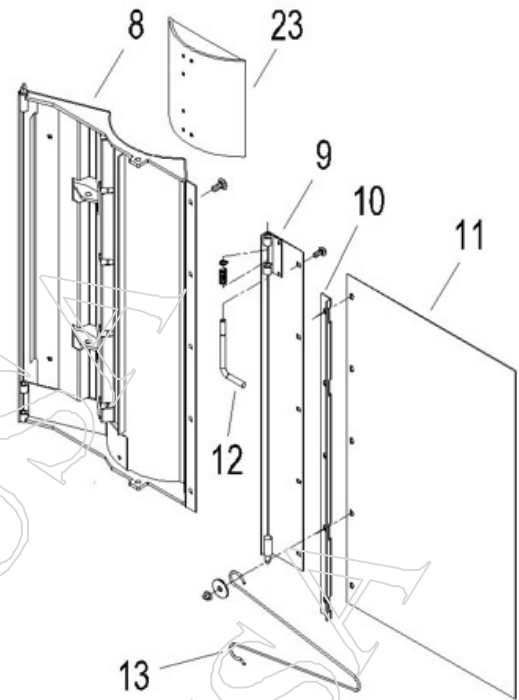
CASE/IH 2000 SERIES - 635
FRONT



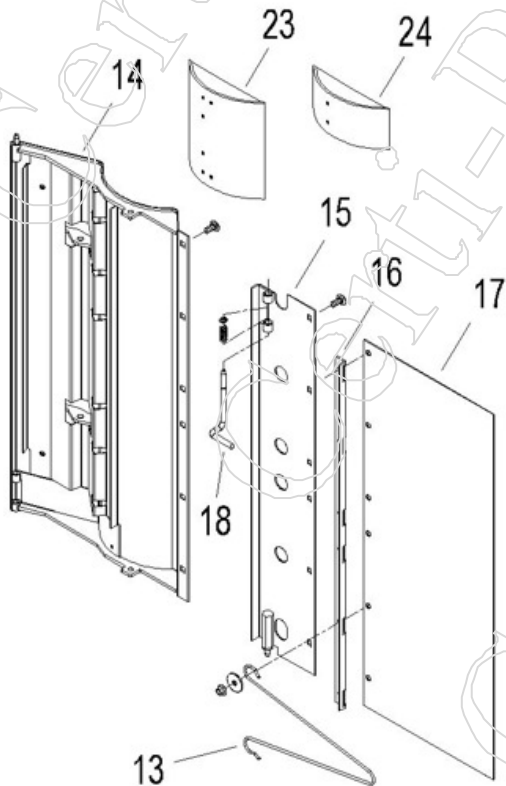
CASE/IH 2000 SERIES - 635
REAR



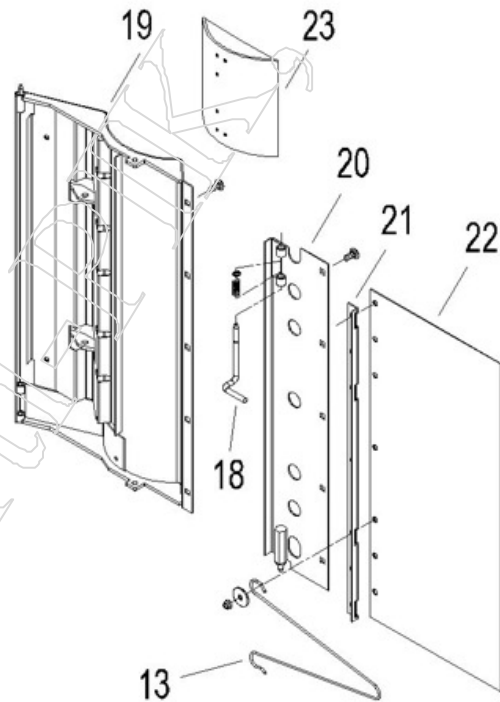
JOHN DEERE 9960-65 IN-LINE



JOHN DEERE 9976-CP690 PRO-16 20S



JOHN DEERE 9970-CP690 PRO-12 18S



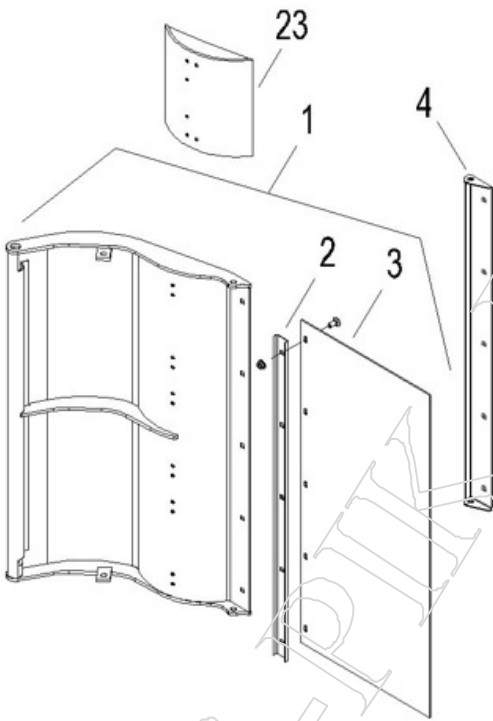
Certi-Pik, Usa Single Pik- Extended Deep-Dish Pressure Doors

CTX

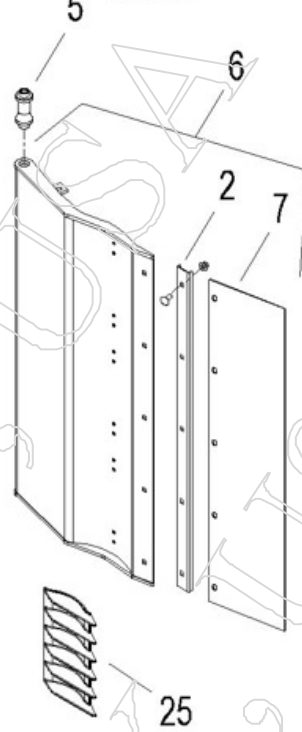
Item	Part	OEMPart	Qty	Desc
1.1	CTX46337	87669791	1	Single Pik - CTX ExtenDoor - CASE/IH- R.H. FRONT GUIDE (SOLD WITH: CTX20CL, CTX20FE & HARDWARE: 5x 01540P & 5x 10213P) REP. ALL 2000 SER. THRU 635 M.E. OEM GUIDES (USES 3x #669970 S.P.) (ILLUSTRATED)
1.2	CTX46336L	<-----OEM	1	Single Pik - CTX ExtenDoor - CASE/IH - L.H. UNITS - 2022, 2044, 2555 (SOLD WITH: CTX20CL, CTX20FE, & HARDWARE: 5x 01540P & 5x 10213P) REPLACES OEM GUIDE #1546336C2 AND EXT. #1982710C2
2	CTX20CL	<-----OEM	1	CASE/IH 2000 SERIES - ANGLE, EXTENSION CLAMP
3	CTX20FE	<-----OEM	1	CASE/IH 2000 SERIES - EXTENSION, PLASTIC, FRONT
4	CTX20PL	87669793	1	CASE/IH 2000 SERIES - REMOVABLE EXTENSION, FRONT DOOR, STRONGLY RECOMMENDED - (ATTACHES WITH OEM SPRING ROD #'S 673851R3, 10322R, & 1982712C1)
5	CTX20TB	<-----OEM	1	CASE/IH - BUSHING - REAR DOOR - OPTIONAL - (REPLACES: OEM 1x 86982778-SPACER & 2x 216544C1-BUSHING)
6.1	CTX46345	87689112	1	Single Pik - CTX ExtenDoor - CASE/IH - R.H. REAR GUIDE (SOLD WITH: CTX20CL, CTX20RE & HARDWARE: 5x 01540P & 5x 10213P) REP. ALL 2000 SER. THRU 635 M.E. OEM GUIDES (USES 3x #69576R2 S.P.) (ILLUSTRATED)
6.2	CTX46344L	<-----OEM	1	Single Pik - CTX ExtenDoor - CASE/IH - L.H. UNITS - 2022, 2044, 2555 (SOLD WITH: CTX20CL, CTX20RE, & HARDWARE: 5x 01540P & 5x 10213P) REPLACES OEM GUIDE #1546344C2 AND EXT. #1982711C2
7	CTX20RE	<-----OEM	1	CASE/IH 2000 SERIES - EXTENSION, PLASTIC, REAR
8	CTX93029	<-----OEM	1	Single Pik - CTX ExtenDoor - JD - PRESSURE PLATE - FRONT & REAR - (9960-9965 IN-LINE) REPLACES OEM# AN193029 - (THIS DOOR USES 3x #669970 SCRAPPING PLATES)
9	93844	AN193844	1	EXTENSION, FRONT (9935,9960-9965)
10	98851	N198851	1	ANGLE, EXTENSION CLAMP, FRONT & REAR (9935,9960-9965)
11	96126	N196126	1	EXTENSION, PLASTIC, FRONT & REAR, (9935,9960-9965)
12	34274K	<-----OEM	1	PIN KIT, INCLUDES: 1x #34274-PIN, 1x #19488P-SPRING, 1x #33504P-SNAP RING
13	98712	N198712	AR	REINFORCEMENT, PRESSURE PLATE (9935-CP690 - IN-LINE & PRO) 2x / 18S PLATE, 3x / 20S PLATE
14.1	CTX74593F	<-----OEM	1	Single Pik - CTX ExtenDoor - JD - PRESSURE PLATE - FRONT - (9976-CP690 PRO 16 20S) REPLACES OEM #AN274593 & AN279558 - (THIS DOOR USES 3x #669970 & 1x #669971 SCRAPPING PLATES)
14.2	CTX74593R	<-----OEM	1	Single Pik - CTX ExtenDoor - JD - PRESSURE PLATE - REAR - (9976-CP690 PRO 16 20S) REPLACES OEM #AN274593 - (THIS DOOR USES 3x #669970 & 1x #669971 SCRAPPING PLATES)
15	72944	AN272944	1	EXT., FRONT PRESSURE PLATE, PRO-16 20S (9976-CP690)
16	74102	N274102	1	ANGLE, EXTENSION CLAMP, PRESSURE PLATE, PRO-16 20S (9976-CP690) (AR: 6x 01519-1"-BOLT & 6x 10215P-NUT)
17	74104	N274104	1	EXTENSION, PLASTIC, PRESSURE PLATE, PRO-16 20S, FRONT & REAR - SUBS TO #KK10467 : (7760-CP690)
18	75113K	<-----OEM	1	PIN KIT, INCLUDES: 1x #75113-PIN, 1x #19488P-SPRING, 1x #33504P-SNAP RING
19.1	CTX74587F	<-----OEM	1	Single Pik - CTX ExtenDoor - JD - PRESSURE PLATE - FRONT - (9970-CP690 PRO 12 18S) REPLACES OEM #AN274587 & AN279557 - (THIS DOOR USES 3x #669970 SCRAPPING PLATES)
19.2	CTX74587R	<-----OEM	1	Single Pik - CTX ExtenDoor - JD - PRESSURE PLATE - REAR - (9970-CP690 PRO 12 18S) REPLACES OEM #AN274587 - (THIS DOOR USES 3x #669970 SCRAPPING PLATES)
20	74542	AN274542	1	EXTENSION, FRONT PRESSURE PLATE, PRO-12 18S (9970-CP690)
21	78107	N278107	1	ANGLE, EXTENSION CLAMP, PRESSURE PLATE, PRO-12 18S, (AR: 5x 01519-1"-BOLT & 5x 10215P-NUT) (9970-CP690)
22	78108	N278108	1	EXTENSION, PLASTIC, PRESSURE PLATE, PRO-12 (9935-9996)- 18S (FRONT & REAR)- SUBS TO #KK10468: (7760-CP690)

CERTI-PIK, USA - SINGLE PIK - Extended Deep-Dish Pressure Doors

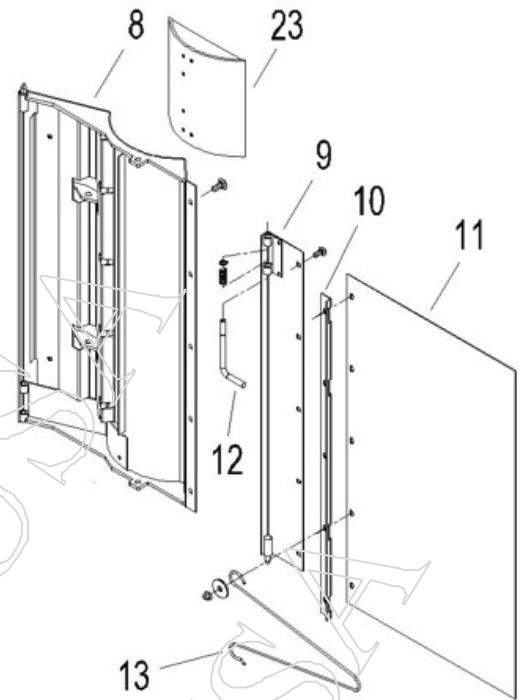
CASE/IH 2000 SERIES - 635
FRONT



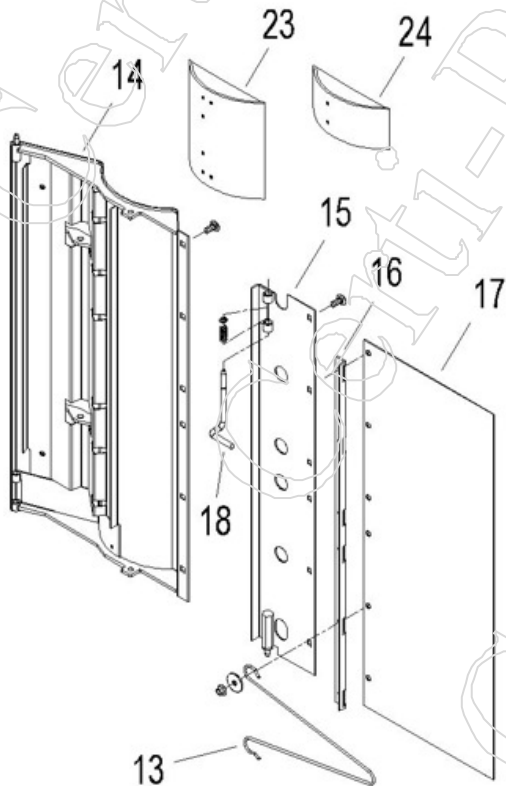
CASE/IH 2000 SERIES - 635
REAR



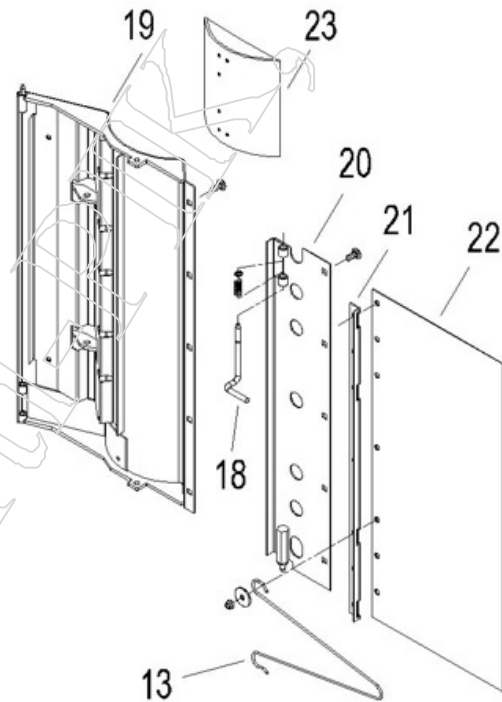
JOHN DEERE 9960-65 IN-LINE



JOHN DEERE 9976-CP690 PRO-16 20S



JOHN DEERE 9970-CP690 PRO-12 18S



Certi-Pik, Usa Single Pik- Extended Deep-Dish Pressure Doors

CTX

<u>Item</u>	<u>Part</u>	<u>OEMPart</u>	<u>Qty</u>	<u>Desc</u>
23	669970	<-----OEM	3	CTX SCRAPPING PLATE- SOLD WITH ATTACHING HARDWARE- 2 BOLTS, & NUTS, NOT USED W/ REAR CASE
24	669971	<-----OEM	1	TOP (2 SPINDLE) CTX SCRAPPING PLATE - SOLD WITH ATTACHING HARDWARE - 2 BOLTS, & NUTS, (1 ON TOP OF 20 SPIN. DOOR)
25	69576R2	669576R2	3	SCRAPPING PLATE- LARGE CASE/IH OEM STYLE - SOLD WITH ATTACHING HARDWARE- 2 BOLTS, & NUTS (FITS ONLY REAR CASE CTX DOOR AND OEM DOOR EXTENSIONS)