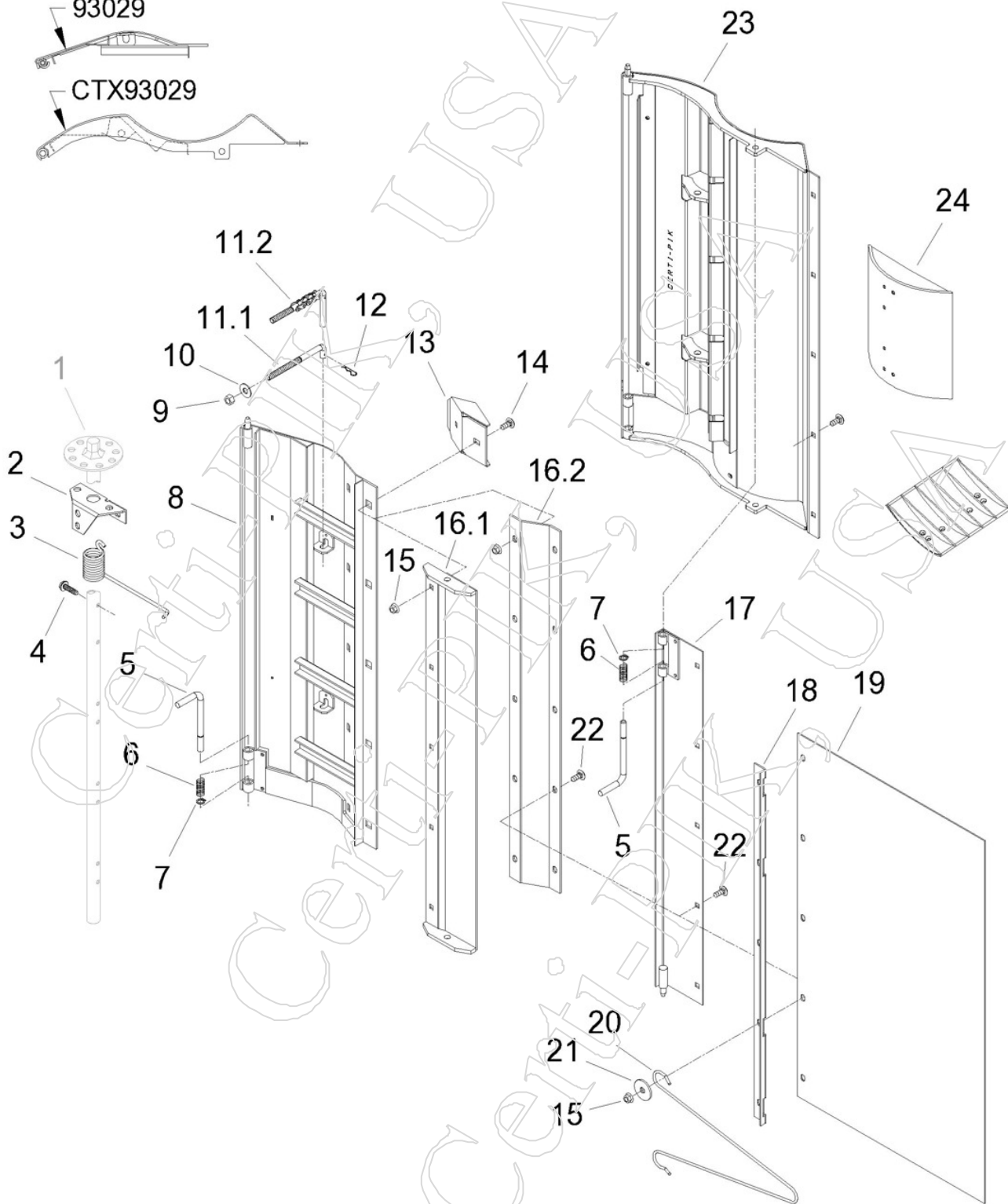
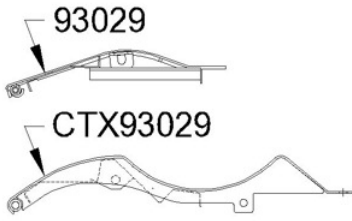


John Deere 9935, 9960-9965 In-Line F&R Pressure Plate Assembly

PLATE PROFILE COMPARISON



John Deere 9935, 9960-9965 In-line F&R Pressure Plate Assembly

20-7

<u>Item</u>	<u>Part</u>	<u>OEMPart</u>	<u>Qty</u>	<u>Desc</u>
1	93129	AN193129	NA	SPRING TUBE - 18S, 9935, 9960-9965 IN-LINE
2	99910	N199910	1	ANGLE - PRESSURE DOOR ANGLE (9935, 9960-9965 IN-LINE)
3.1	90464	N190464	4	SPRING - R.H. TORSION (9900-CP690)
3.2	90465	N190465	1	SPRING - L.H. TORSION (9900-9965) (FRONT)
4	79578P	H79578	NA	SCREW - 5/16 X 1-1/4" TF HEX FLANGE
5.1	34274	N34274	1	HINGE PIN
5.2	34274K	<-----OEM	1	PIN KIT - INCLUDES: 1x #34274-PIN, 1x #19488P-SPRING, 1x #33504P-SNAP RING
6	19488P	KK19488	1	SPRING - (9900-CP690) REPLACES N33404
7	33504P	N33504	1	SNAP RING (9900-CP690)
8	93029	AN193029	1	PRESSURE PLATE (FRONT & REAR)
9	11234P	T11234	2	NUT - 3/8 - NYLON LOCK
10	01730P	24H1309	2	WASHER - .410 X 1.5 X .120"
11.1	10008	N110008	2	BOLT - 3/8 ADJUSTMENT (FRONT)
11.2	94089	AN194089	2	BOLT - LINK CHAIN ADJUSTMENT (REAR)
12	16931P	J16931	2	PIN - SPRING LOCK PIN
13	96767	N196767	5	PLATE - SCRAPPING
14	01540P	03H1540	AR	BOLT - 5/16 X 3/4" CARRIAGE
15	10213P	N10213	AR	NUT - 5/16 - SERR HEX FLANGE
16.1	72810	AN272810	1	SUPPORT EXTENSION (FRONT)
16.2	96120	N196120	1	EXTENSION (REAR)
17	93844	AN193844	1	EXTENSION (FRONT)
18	98851	N198851	1	ANGLE - EXTENSION CLAMP (FRONT & REAR)
19	96126	N196126	1	EXTENSION - PLASTIC (FRONT & REAR)
20	98712	N198712	2	REINFORCEMENT - PRESSURE PLATE (9935-CP690 - IN-LINE & PRO) 2x / 18S PLATE, 3x / 20S PLATE
21	01730P	24H1296	4	WASHER - .410 X 1.5 X .120"
22	01709P	03H1709	5	BOLT - 5/16 X 1" CARRIAGE
23	CTX93029	<-----OEM	1	Single Pik - CTX ExtenDoor - JD - PRESSURE PLATE - FRONT & REAR - (9960-9965 IN-LINE) REPLACES OEM# AN193029 - (THIS DOOR USES 3x #669970 SCRAPPING PLATES)
24	669970	<-----OEM	3	CTX (5-SPINDLE) SCRAPPING PLATE - SOLD WITH ATTACHING HARDWARE- 2 BOLTS, & NUTS, NOT USED W/ REAR CASE