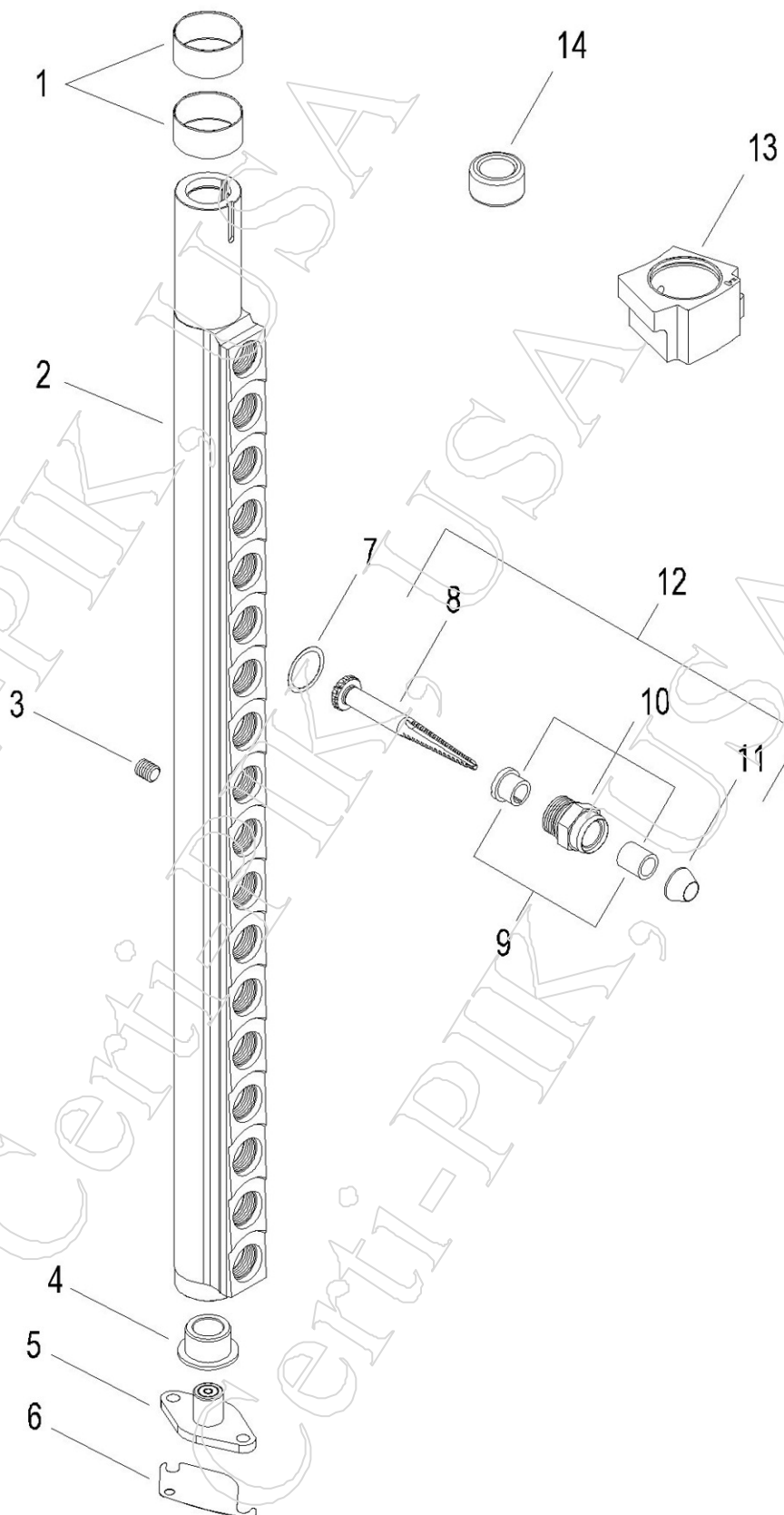


Case / IH 18-Spindle Picker Bar Assembly

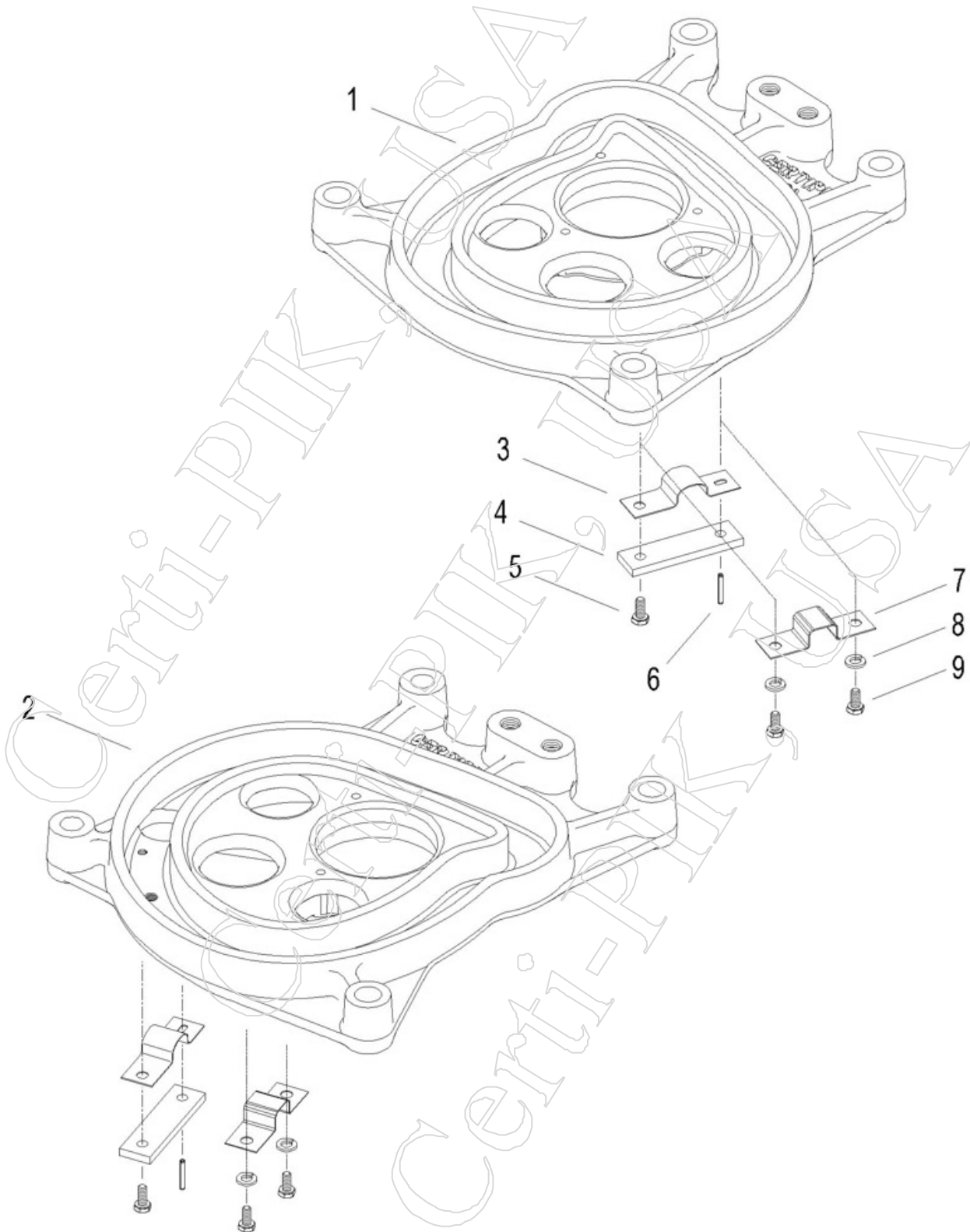


Case / IH 18 Spindle Picker Bar Assy

80-1

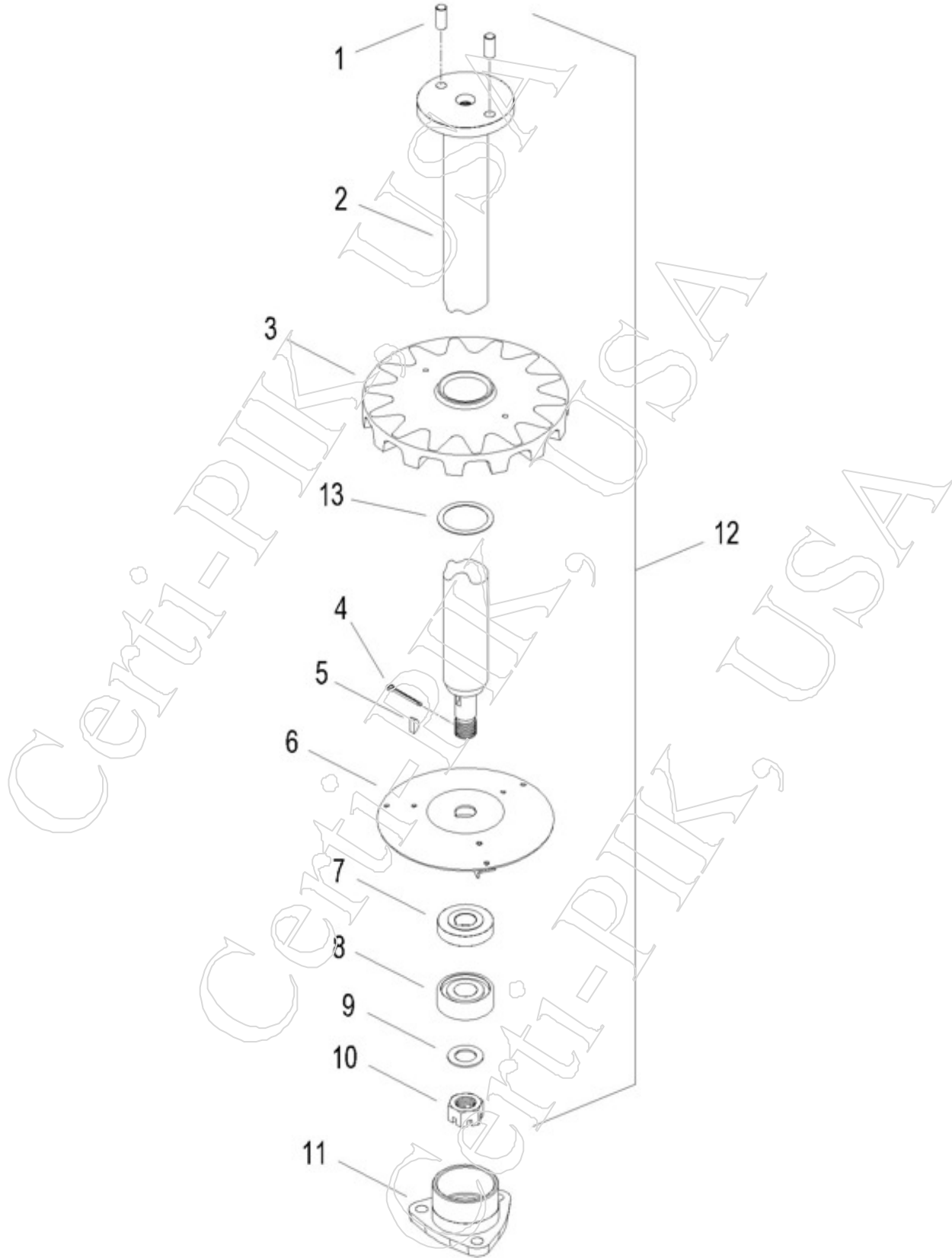
| <u>Item</u> | <u>Part</u> | <u>OEMPart</u> | <u>Qty</u> | <u>Desc</u> |
|-------------|-------------|----------------|------------|------------------------------------------------------------------------------------------------------------|
| 1 | 23634C1 | 223634C1 | 2 | SLEEVE, PICKER BAR (2/BAR) |
| 2.1 | 82393C1R | 1982393C1 | 1 | BAR, R.H. UNIVERSAL 1800 & 2000-635 SERIES, 18 SPINDLE WITH SLEEVES |
| 2.2 | 82392C1L | 1982392C1 | 1 | BAR, L.H. UNIVERSAL 1800 & 2000-635 SERIES, 18 SPINDLE WITH SLEEVES |
| 3 | 00558P | <-----OEM | 1 | PLUG, 1/8 PIPE PLUG |
| 4 | 69815R3P | 669815R3 | 1 | BUSHING, BOTTOM BAR BUSHING (1822-635) |
| 5 | 14910C2P | 214910C2 | 1 | STOOL, BAR STOOL PIVOT (1822-635) |
| 6.1 | 69817R1P | 669817R1P | 1 | SHIM, .003 BAR STOOL (USE PT. NO. 93694P)(1822-635) |
| 6.2 | 69818R1P | 669818R1P | 1 | SHIM, .005 BAR STOOL (USE PT. NO. 90952P)(1822-635) |
| 6.3 | 69819R1P | 669819R1P | 1 | SHIM, .007 BAR STOOL (1822-635) |
| 6.4 | 69820R1P | 669820R1P | 1 | SHIM, .010 BAR STOOL (USE PT. NO. 90953P)(1822-635) |
| 7 | 10223P | N110223 | AR | SHIM, .010" SPINDLE NUT - (REPLACES CASE/IH #674980R2) |
| 8.1 | 46042A1P | 346042A1 | 18 | SPINDLE R.H. CASE/IH 90 M |
| 8.2 | 46041A1P | 346041A1 | 18 | SPINDLE L.H. CASE/IH 90 M |
| 9.1 | 16553C1P | 216553C1 | 18 | BUSHING, SPIN. FLANGED (1822, 1844, 2022, 2044, 2055) |
| 9.2 | 16552C1P | 216552C1 | 18 | BUSHING, SPIN. STRAIGHT (1822, 1844, 2022, 2044, 2055) |
| 9.3 | 94863C1P | 1994863C1 | 18 | CASE SPINDLE BUSHING STRAIGHT (NEW STYLE - SMALLER DIA): USED IN #94866C1 & #94865C1 NUT ASSYS -(2055-635) |
| 9.4 | 94864C1P | 1994864C1 | 18 | CASE SPINDLE BUSHING FLANGED (NEW STYLE - SMALLER DIA): USED IN #94866C1 & #94865C1 NUT ASSYS -(2055-635) |
| 10.1 | 64768A1 | 364768A1 | 18 | ASSEMBLY, R.H. SPINDLE NUT WITH PRESSED BUSHINGS - USES NEW BUSHINGS #94864C1P & #94863C1P |
| 10.2 | 64767A1 | 364767A1 | 18 | ASSEMBLY, L.H. SPINDLE NUT WITH PRESSED BUSHINGS - USES NEW BUSHINGS #94864C1P & #94863C1P |
| 11 | 16554C1P | 216554C1 | 18 | DUST CAP, SPINDLE |
| 12.1 | 64348A1 | 364348A1 | 18 | ASSEMBLY, R.H. PRE-ASSEMBLED SPINDLE PARTS - 90M |
| 12.2 | 64347A1 | 364347A1 | 18 | ASSEMBLY, L.H. PRE-ASSEMBLED SPINDLE PARTS - 90M |
| 13 | 82394C2 | 1982394C2 | 1 | CASE - BEARING - BAR JOURNAL - (FITS ALL 2000 SER. - 635 MOD EXP. MACHINES) |
| 14 | 86948C1PRM | 86948C1 | 1 | ROLLER, CAM ROLLER - (1822-635 MOD EXP) |

Case / IH Cam Tracks



| <u>Item</u> | <u>Part</u> | <u>OEMPart</u> | <u>Qty</u> | <u>Desc</u> |
|-------------|-------------|----------------|------------|-------------------------------------------------------------------------------------------------------------------------------------|
| 1.1 | 94253A1 | 394253A1 | 1 | CAM TRACK, R.H. - FRONT (WITH ROLLER SERVICE HOLE) FITS ALL 2000 SERIES - CPX 620-635 MACHINES (USES ITEMS 7-9 : SOLD SEPARATELY) |
| 1.2 | 82351C1 | 1982351C1 | NA | CAM TRACK, R.H. - FRONT (WITH ROLLER SERVICE HOLE) FITS ALL 2000 SERIES MACHINES (USES ITEMS 3-6 : SOLD SEPARATELY) |
| 2.1 | 94252A1 | 394252A1 | 1 | CAM TRACK, L.H. - REAR (WITH ROLLER SERVICE HOLE) FITS ALL 2000 SERIES - CPX 620-635 MACHINES (USES ITEMS 7-9 : SOLD SEPARATELY) |
| 2.2 | 82350C1 | 1982350C1 | 1 | CAM TRACK, L.H. - REAR (WITH ROLLER SERVICE HOLE) FITS ALL 2000 SERIES MACHINES (USES ITEMS 3-6 : SOLD SEPARATELY) |
| 3 | 16138C2 | 216138C2 | 1 | SUPPORT - CAM ROLLER ACCESS - FITS CAMTRACKS 82351C1 & 82350C1 |
| 4 | 94932C1 | 1994932C1 | 1 | PLATE - SPRING RETAINER - FITS CAMTRACKS 82351C1 & 82350C1 |
| 5 | 01813P | 19H1813 | 1 | SCREW, 5/16 X 5/8" CAP SCREW GD5 |
| 6 | 25954R1P | 25954R1 | 1 | PIN, 9/64 X 1" SLOTTED SPRING PIN |
| 7 | 94414A1 | 394414A1 | 1 | SUPPORT - CAM ROLLER ACCESS - USES 2x 5/16" BOLTS - FITS CAMTRACKS 94252A1 & 94253A1 |
| 8 | 00303P | 492-11031 | 2 | LOCK WASHER, 5/16 |
| 9 | 0041358P | 413-58 | 2 | 5/16 - 18 X 1/2" CAP SCREW GRADE 5 - FITS CAMTRACKS 94252A1 & 94253A1 |

Case / IH Doffer Assembly



Case / IH Doffer Assy

80-4

| <u>Item</u> | <u>Part</u> | <u>OEMPart</u> | <u>Qty</u> | <u>Desc</u> |
|-------------|-------------|----------------|------------|----------------------------------------------------------|
| 1 | 0371614P | 37-1614 | 2 | HARDENED DOWEL PIN - 3/8 X 7/8 - DOFFER (2022-635) |
| 2 | 82375C1 | 1982375C1 | 1 | DOFFER SHAFT - FITS ALL 2000 SERIES (2022-635) |
| 3 | 83311A1UPRM | <-----OEM | 18 | DOFFER, LARGE URETHANE DOFFER (PREMIUM) 2000 SERIES-635 |
| 4 | 0432820P | 432-820 | 1 | COTTER PIN - LOWER DOFFER (2022-635) |
| 5 | 0126113P | 126-113 | 1 | WOODRUFF KEY 3/16 X 5/8 - DOFFER (2022-635) |
| 6 | 29439C1 | 1329439C1 | 1 | DISK - LOWER DOFFER (1822-635) |
| 7 | 07282C1 | 87282C1 | 1 | KEYED SPACER - LOWER DOFFER (1822-635) |
| 8 | 9807R91P | 669807R91 | 1 | BEARING - LOWER DOFFER (1822-635) |
| 9 | 9581039P | 495-81039 | 1 | WASHER - LOWER DOFFER - 25/32 X 1-1/4 X 1/8" (2022-635) |
| 10 | 0088886P | 88886 | 1 | CASE DOFFER NUT - HEX SLOTTED 3/4 UNF G5 (2022-635) |
| 11 | 69806R2 | 669806R2 | 1 | LOWER DOFFER HOUSING (1822-635) |
| 12 | 83429A1 | 383429A1 | 1 | CASE/IH DOFFER ASSEMBLY - INCLUDES ITEMS 1-10 (2022-635) |
| 13 | 0331132P | <-----OEM | 18 | SHIM, DOFFER - .032" THICK |