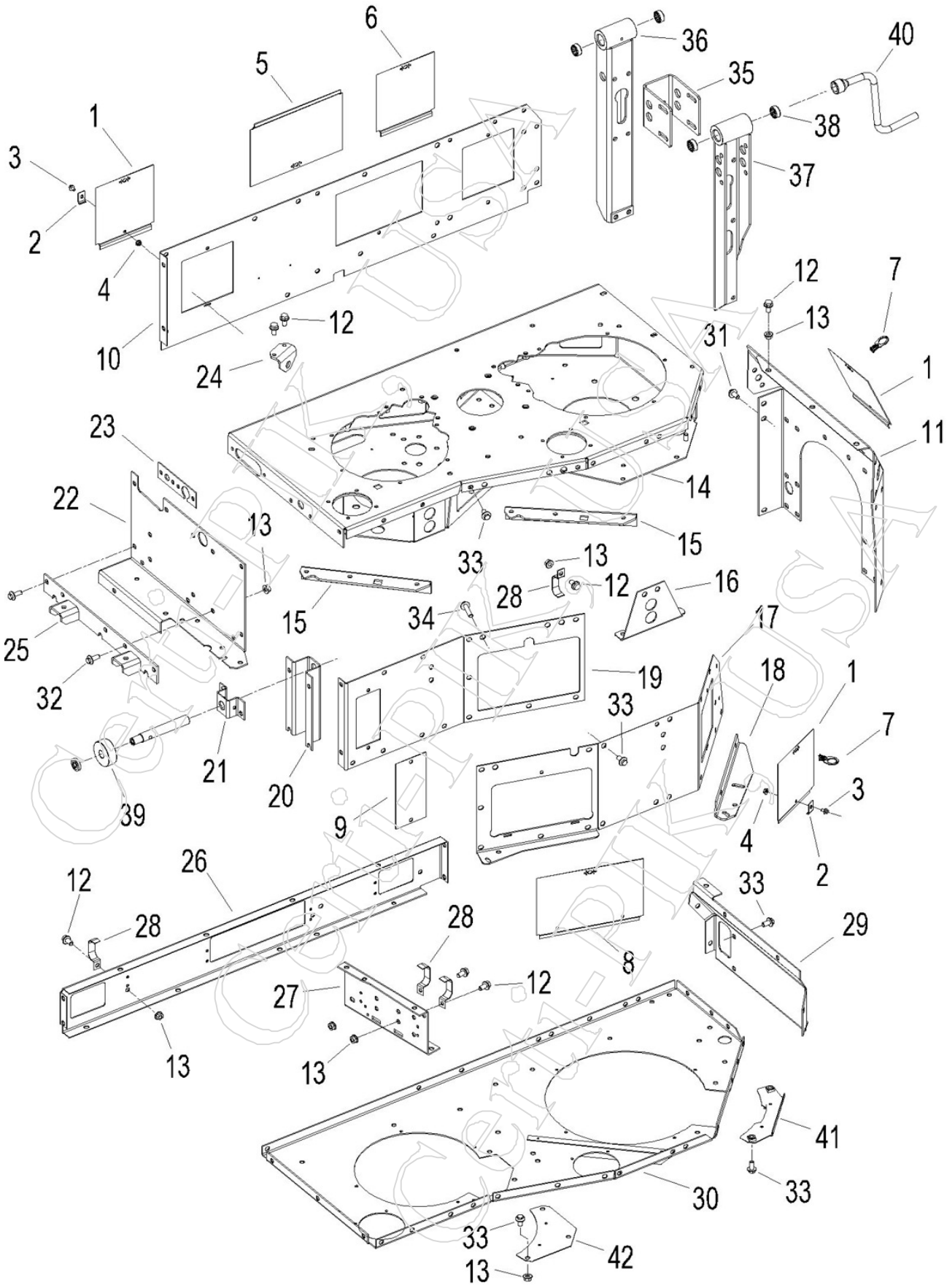


John Deere 9976-CP690 Upper Cabinet



John Deere 9976-CP690 Upper Cabinet

20-13

Item	Part	OEMPart	Qty	Desc
1	76610	AN276610	3	COVER - REAR L-SIDE
2	71404	N371404	AR	CLAMP - COVER
3	07861P	19M7861	AR	BOLT - M6 X 10 - SMOOTH HEX FLANGE
4	63524P	E63524	AR	NUT - M6 - SERR HEX FLANGE
5	75038	AN275038	1	COVER - MID L-SIDE
6	75037	AN275037	1	COVER - FRONT L-SIDE
7	72520P	AN272520	AR	LOCK - DUAL LOCK FASTENER (ALL IN-LINE & PRO)
8	76611	AN276611	1	COVER - MID R-SIDE
9	75036	AN275036	1	COVER - BACK R-SIDE
10.1	72366	N272366	1	PANEL - CABINET TOP (9976,9986,9996)
10.2	14395	KK14395	1	PANEL - CABINET TOP (BALER 7760-CP690) (REPLACES # N379369) (ILL.)
11	76613	AN276613	1	HOOD - FRONT CABINET (REPLACES AN273840)
12	07784P	19M7784	AR	BOLT - M10 X 20 - SMOOTH HEX FLANGE - GD 10.9
13	63526P	E63526	AR	NUT - M10 - SERR HEX FLANGE
14.1	73766	AN273766	1	PRO 16 CABINET TOP (9976-9996)
14.2	72907	AN372907	1	PRO 16 CABINET TOP (7760 BALER) 3-3/4" DOFFER HOUSING HOLE (ILL.)
14.3	14823	AKK14823	1	PRO 16 CABINET TOP (CP690 BALER) 4-1/2" DOFFER HSG HOLE - FINE ADJ.
15	75053	N275053	2	ANGLE - IDLER SUPPORT ON PRO CABINET TOP (9970-7760)
16	76059	N276059	1	ANGLE - LEG ON PRO CABINET TOP (9970-CP690)
17	71606	N371606	1	PANEL - FRONT R-SIDE CABINET
18	72405	N272405	1	ANGLE - FRONT R-SIDE CABINET
19	78833	N278833	1	PANEL - REAR R-SIDE CABINET
20.1	76506	N276506	1	CHANNEL - REAR CABINET (9976-7760) (ILL.)
20.2	06766	N406766	1	CHANNEL - REAR CABINET (CP690)
21	78989	N378989	1	CHANNEL - OUTER ROLLER SUPPORT
22	71797	N371797	1	PANEL - REAR CABINET (REPLACES N273349) (9976-CP690)
23	72157	N372157	1	BRACKET - OIL AND GREASE LINES
24.1	73302	N273302	2	BRACKET - SENSOR (9976-9996)
24.2	78776	N378776	2	BRACKET - SENSOR (7760-CP690)
25	74764	AN274764	1	SUPPORT - REAR CABINET
26	14109	KK14109	1	REINFORCEMENT - MID CABINET (9976-CP690) REP #N272377 & N375825
27	14112	KK14112	1	SUPPORT - MID CABINET (9976-CP690) REPLACES #N275344 & N374565
28	77119	N277119	AR	CLAMP
29	75065	N275065	1	PANEL - FRONT MID CABINET
30	76819	AN276819	1	SHEET - INNER CABINET
31	07086P	37M7086	NA	SCREW - M10 X 20 - SERR HEX FLANGE - THREAD FORMING (USE #75620P)
32	75625P	N275625	AR	BOLT - M10 X 25 - SERR HEX FLANGE
33	75620P	N275620	AR	BOLT - M10 X 20 - SERR HEX FLANGE - GD 8
34	07805P	19M7805	AR	BOLT - M10 X 45 - SMOOTH HEX FLANGE
35	71201	N371201	1	CHANNEL - HANGER ADAPTER
36	74174	AN274174	1	HANGER ASSEMBLY - L.H. - PRO
37	73170	AN273170	1	HANGER ASSEMBLY - R.H. - PRO
38	08804P	JD8804	2	BEARING - 23 NEEDLES
39	72732	N272732	1	ROLLER - REAR PRO CABINET GUIDE
40	98140	N198140	1	WRENCH - PICKING UNIT ADJUSTMENT
41	73686	AN273686	1	COVER, FRONT 16 BAR DRUM, PRO SERIES
42	75131	N275131	1	COVER, 12 BAR DRUM, PRO SERIES