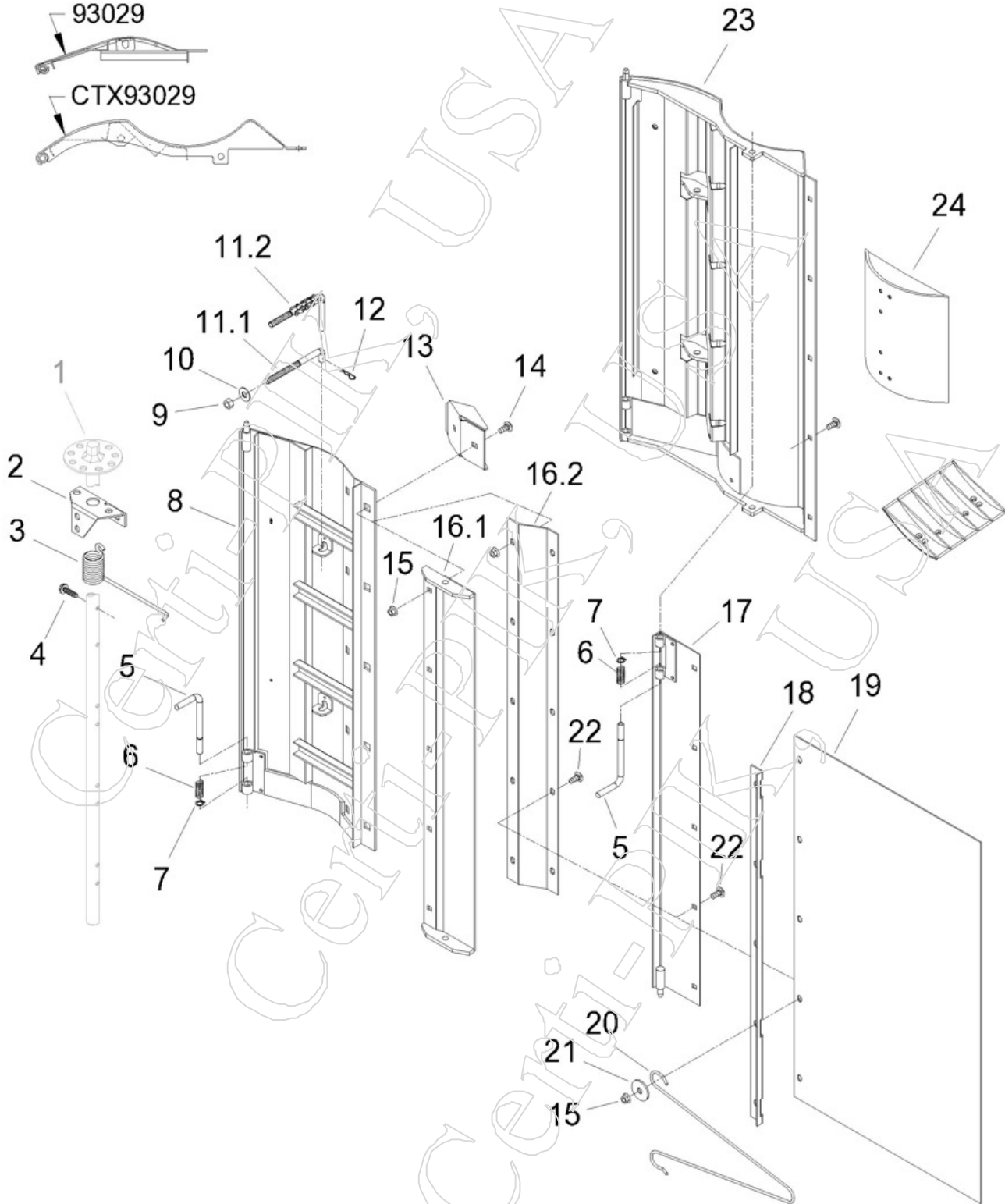
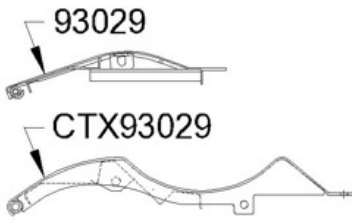


# John Deere 9935, 9960-9965 In-Line F&R Pressure Plate Assembly

## PLATE PROFILE COMPARISON



# John Deere 9935, 9960-9965 In-line F&R Pressure Plate Assembly

20-7

| <u>Item</u> | <u>Part</u> | <u>OEMPart</u> | <u>Qty</u> | <u>Desc</u>  |
|-------------|-------------|----------------|------------|--|
| 1           | 93129       | AN193129       | NA         | SPRING TUBE - 18S, 9935, 9960-9965 IN-LINE   |
| 2           | 99910       | N199910        | 1          | ANGLE - PRESSURE DOOR ANGLE (9935, 9960-9965 IN-LINE)  |
| 3.1         | 90464       | N190464        | 4          | SPRING - R.H. TORSION (9900-CP690)   |
| 3.2         | 90465       | N190465        | 1          | SPRING - L.H. TORSION (9900-9965) (FRONT)  |
| 4           | 79578P      | H79578         | NA         | SCREW - 5/16 X 1-1/4" TF HEX FLANGE  |
| 5.1         | 34274       | N34274         | 1          | HINGE PIN  |
| 5.2         | 34274K      | <-----OEM      | 1          | PIN KIT - INCLUDES: 1x #34274-PIN, 1x #19488P-SPRING, 1x #33504P-SNAP RING   |
| 6           | 19488P      | KK19488        | 1          | SPRING - (9900-CP690) REPLACES N33404  |
| 7           | 33504P      | N33504         | 1          | SNAP RING (9900-CP690)   |
| 8           | 93029       | AN193029       | 1          | PRESSURE PLATE (FRONT & REAR)  |
| 9           | 11234P      | T11234         | 2          | NUT - 3/8 - NYLON LOCK   |
| 10          | 01730P      | 24H1309        | 2          | WASHER - .410 X 1.5 X .120"  |
| 11.1        | 10008       | N110008        | 2          | BOLT - 3/8 ADJUSTMENT (FRONT)  |
| 11.2        | 94089       | AN194089       | 2          | BOLT - LINK CHAIN ADJUSTMENT (REAR)  |
| 12          | 16931P      | J16931         | 2          | PIN - SPRING LOCK PIN  |
| 13          | 96767       | N196767        | 5          | PLATE - SCRAPPING  |
| 14          | 01540P      | 03H1540        | AR         | BOLT - 5/16 X 3/4" CARRIAGE  |
| 15          | 10213P      | N10213         | AR         | NUT - 5/16 - SERR HEX FLANGE   |
| 16.1        | 72810       | AN272810       | 1          | SUPPORT EXTENSION (FRONT)  |
| 16.2        | 96120       | N196120        | 1          | EXTENSION (REAR)   |
| 17          | 93844       | AN193844       | 1          | EXTENSION (FRONT)  |
| 18          | 98851       | N198851        | 1          | ANGLE - EXTENSION CLAMP (FRONT & REAR)   |
| 19          | 96126       | N196126        | 1          | EXTENSION - PLASTIC (FRONT & REAR)   |
| 20          | 98712       | N198712        | 2          | REINFORCEMENT - PRESSURE PLATE (9935-CP690 - IN-LINE & PRO) 2x / 18S PLATE, 3x / 20S PLATE   |
| 21          | 01730P      | 24H1296        | 4          | WASHER - .410 X 1.5 X .120"  |
| 22          | 01709P      | 03H1709        | 5          | BOLT - 5/16 X 1" CARRIAGE  |
| 23          | CTX93029    | <-----OEM      | 1          | Single Pik - CTX ExtenDoor - JD - PRESSURE PLATE - FRONT & REAR - (9960-9965 IN-LINE) REPLACES OEM# AN193029 - ( THIS DOOR USES 3x #669970 SCRAPPING PLATES) |
| 24          | 669970      | <-----OEM      | 3          | CTX (5-SPINDLE) SCRAPPING PLATE - SOLD WITH ATTACHING HARDWARE- 2 BOLTS, & NUTS, NOT USED W/ REAR CASE   |