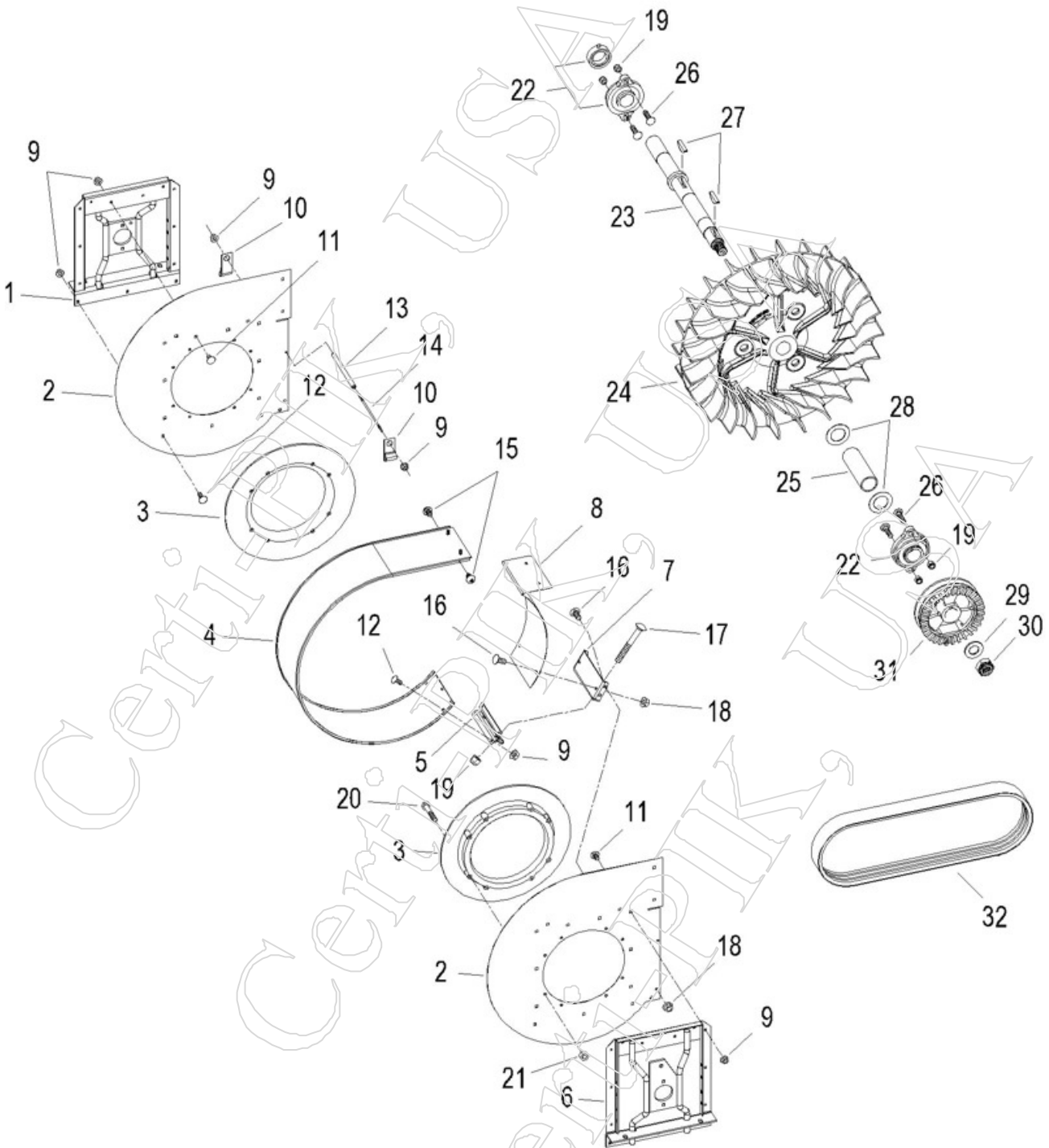
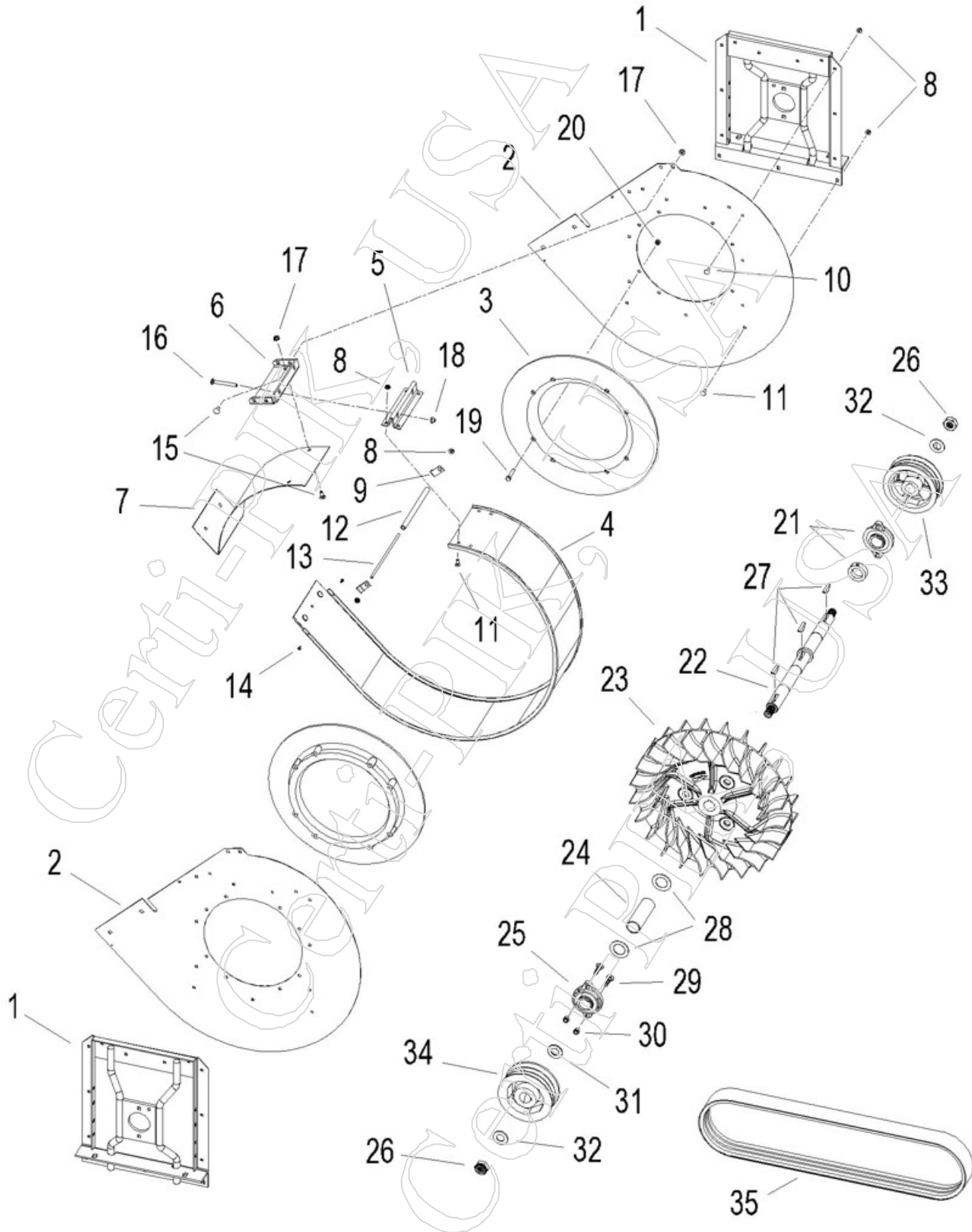


Case / IH Front Fan Assembly, 1822-2555 (S.N.499)



Item	Part	OEMPart	Qty	Desc
KIT.1	45030C1	1345030C1	1	FRONT FAN KIT, FAN KIT, ALL PARTS UNASSEMBLED, INCLUDES # 08200 BOLT KIT, INCLUDES ITEMS #1-#31)
KIT.2	45030C1A	1345030C1	1	FRONT FAN KIT, FAN KIT, ALL PARTS ASSEMBLED
KIT.3	08200	<-----OEM	1	BOLT KIT, COMPLETE FOR FRONT CASE/IH FAN KIT, 1822-2555
1	60120C3	1260120C3	1	SIDE SUPPORT, BEARING (1/FRONT FAN, 2/REAR FAN)
2	60067C2	1260067C2	2	FAN SIDE PANEL - NEW STYLE - LARGER TRANSITION NOTCH
3	07515C1	207515C1	2	BAFFLE, PLASTIC BAFFLE OR ORIFICE
4	21533C1	221533C1	1	WRAP AROUND, HOUSING COVER
5	04414C1	204414C1	1	BRACKET, HOUSING COVER TENSION BRACKET
6	38329C1	1338329C1	1	SIDE SUPPORT - IH FRONT FAN - DRIVE SIDE (1/FRONT FAN)
7	04415C1	204415C1	1	BRACKET, UNDER SHROUD TENSION BRACKET
8	04416C1	204416C1	1	UNDER SHROUD, HOUSING COVER
9	10217P	N10217	32	LOCK NUT, 1/4 SERRATED
10	62120R1P	362120R1	2	CLASP, CABLE CLIP
11	0043448P	434-48	20	BOLT, 1/4 X 1/2 CARRIAGE
12	0434412P	434-412	10	BOLT, 1/4 X 3/4 CARRIAGE
13	15020C1	215020C1	1	PIPE, HOUSING SPACER
14	15709C1	215709C1	1	STUD
15	2601346P	260-1346	2	SCREW, 8-18 X 3/8 SELF-TAP
16	01540P	434-512	6	BOLT, 5/16 X 3/4 CARRIAGE
17	01565P	433-648	2	BOLT, 3/8 X 3 CARRIAGE
18	10213P	425-105	6	LOCK NUT, 5/16 SERRATED FLANGE
19	11234P	425-106	6	LOCK NUT, 3/8 NYLON INSERT
20	0413528P	413-528	16	BOLT, 5/16 X 1-3/4 HEX HEAD
21	1311215P	131-1215	16	LOCK NUT, 5/16 HEX
22	60257C1P	1260257C1	2	FRONT BEARING, INCLUDES HOUSING AND LOCKING COLLAR (2/FRONT FAN, 1/ REAR FAN)
23	60070C3	1260070C3	1	SHAFT, FRONT FAN
24	60010C1	1260010C1	1	FAN BLADE
25	60073C1	1260073C1	1	SHAFT SPACER
26	01480P	434-624	4	BOLT, 3/8 X 1-1/2 CARRIAGE
27	0118001P	118001	2	WOODRUFF KEY, 5/16 X 2-1/8
28	9581214P	495-81214	2	WASHER, 1-13/32 X 2-1/4 X 1/16
29	9611094P	496-11094	1	WASHER - 1.75 X .937 X .13 HDN
30	43386R1P	543386R1	1	LOCK NUT, 7/8
31	38322C1	1338322C1	1	PULLEY - FAN (1844-635)
32.1	B60258C2	1260258C2	NA	FAN ROTOR, MIDDLE - 1822, 1844, 2022, 2044 - (2 Band) Length 46-13/16
32.2	38328C1P	1338328C1	1	BELT- IH FAN DRIVE - FRONT - 3 BAND: 50" 1844 (S/N JJC002462 & above), 2044, 2055, 2155, 2555, CPX420, CPX420 Tier III, CPX610, CPX620, 625, 635-REAR

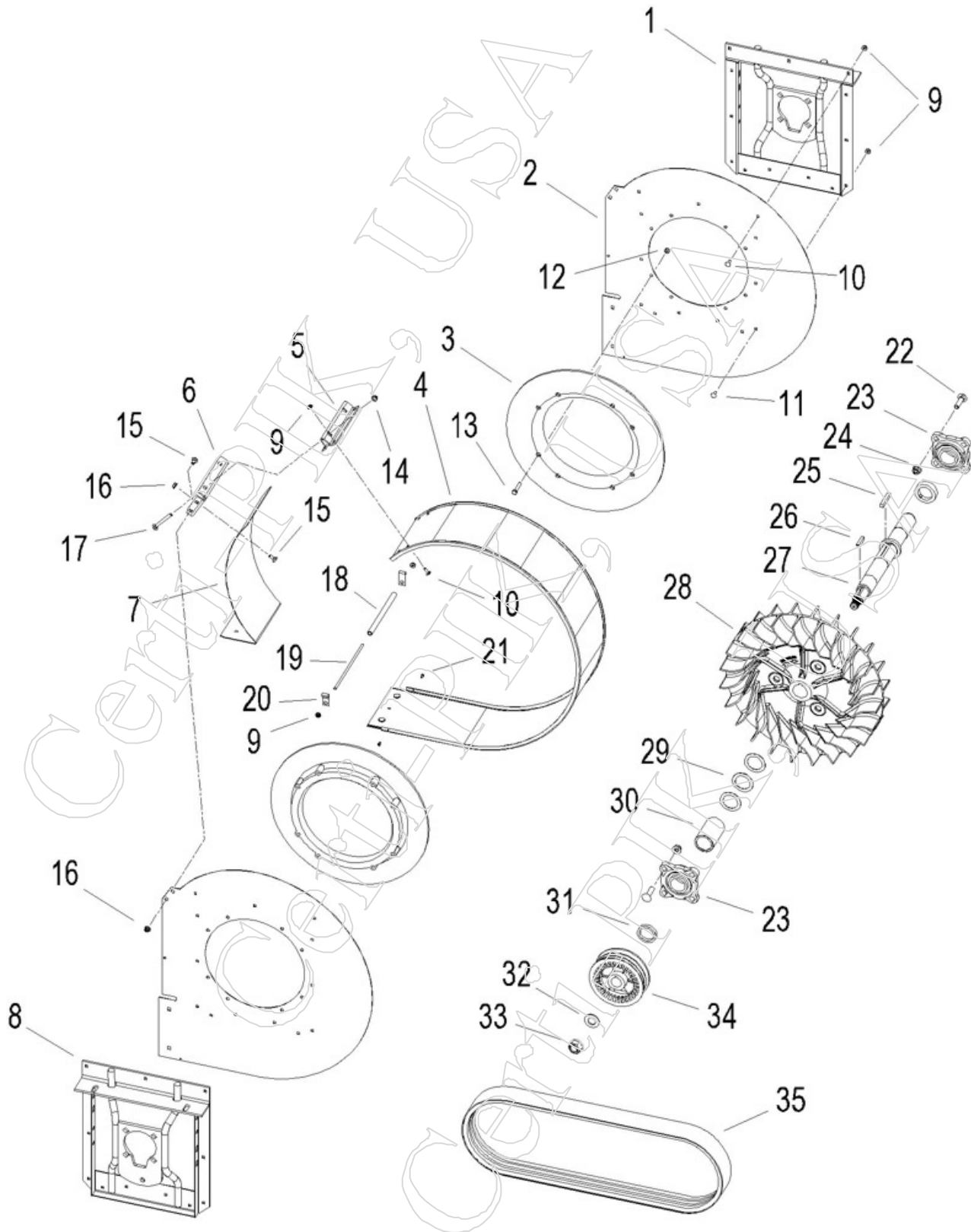
Case / IH Rear Fan Assembly, 1822-2555 (S.N.499)



Case /IH Rear Fan Assembly, 1822-2555 (S.N.499)

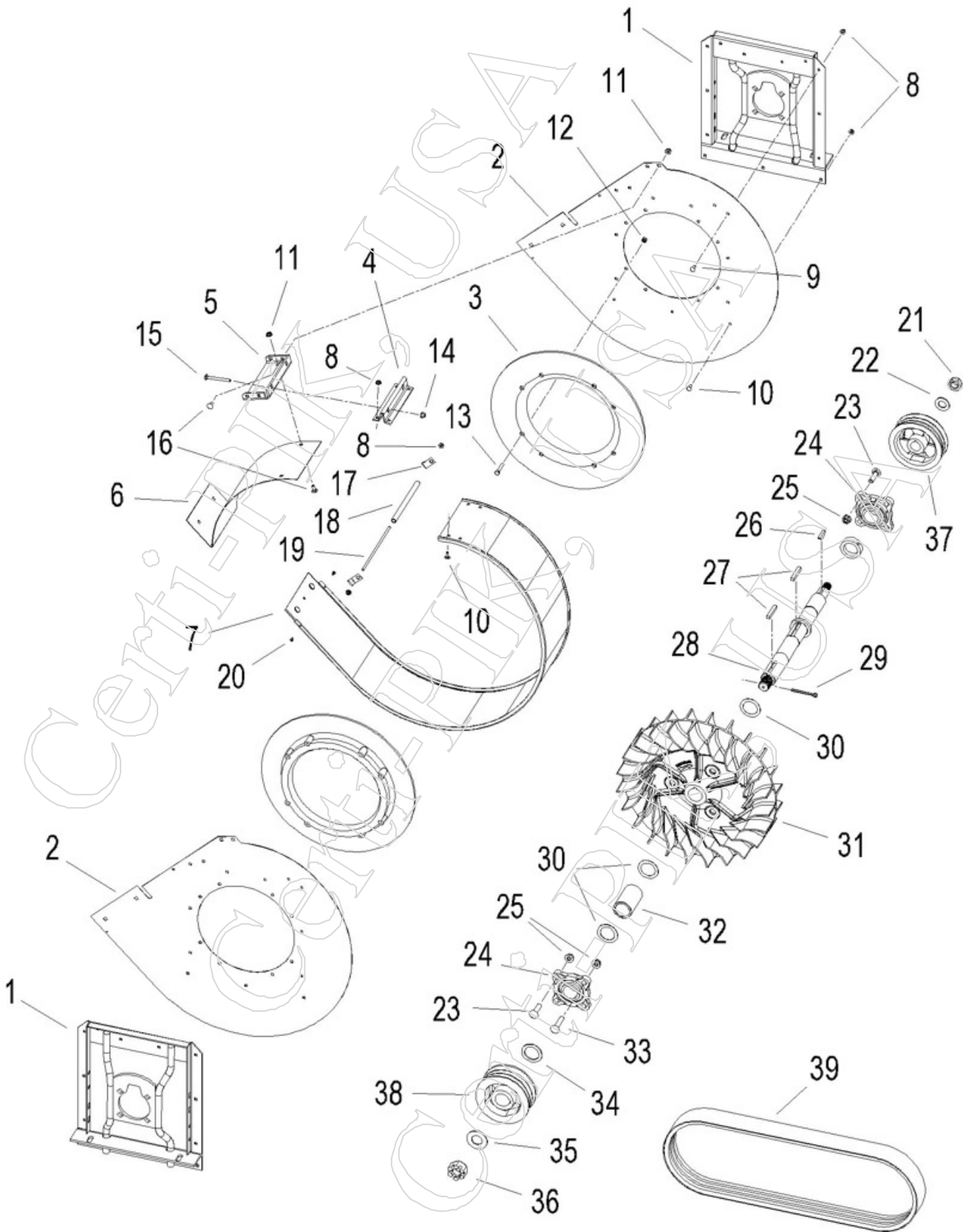
Item	Part	OEMPart	Qty	Desc
KIT.1	45031C1	1345031C1	1	REAR FAN KIT, FAN KIT, ALL PARTS UNASSEMBLED, INCLUDES # 08400 BOLT KIT, INCLUDES ITEMS #1-#33)
KIT.2	45031C1A	1345031C1	1	REAR FAN KIT, FAN KIT, ALL PARTS ASSEMBLED
KIT.3	08400	<-----OEM	1	BOLT KIT, COMPLETE FOR REAR CASE/IH FAN KIT, 1822-2555
1	60120C3	1260120C3	1	SIDE SUPPORT, BEARING (1/FRONT FAN, 2/REAR FAN)
2	60066C2	1260066C2	2	FAN 45DEGREE SIDE PANEL - NEW STYLE - LARGER TRANSITION NOTCH
3	07515C1	207515C1	2	BAFFLE, PLASTIC BAFFLE OR ORIFICE
4	21533C1	221533C1	1	WRAP AROUND, HOUSING COVER
5	04414C1	204414C1	1	BRACKET, HOUSING COVER TENSION BRACKET
6	04415C1	204415C1	1	BRACKET, UNDER SHROUD TENSION BRACKET
7	04416C1	204416C1	1	UNDER SHROUD, HOUSING COVER
8	10217P	<-----OEM	32	LOCK NUT, 1/4 SERRATED
9	62120R1P	362120R1	2	CLASP, CABLE CLIP
10	0043448P	434-48	20	BOLT, 1/4 X 1/2 CARRIAGE
11	0434412P	434-412	10	BOLT, 1/4 X 3/4 CARRIAGE
12	15020C1	215020C1	1	PIPE, HOUSING SPACER
13	15709C1	215709C1	1	STUD
14	2601346P	260-1346	2	SCREW, 8-18 X 3/8 SELF-TAP
15	01540P	434-512	6	BOLT, 5/16 X 3/4 CARRIAGE
16	01565P	433-648	2	BOLT, 3/8 X 3 CARRIAGE
17	10213P	425-105	6	LOCK NUT, 5/16 SERRATED FLANGE
18	11234P	425-106	2/6	LOCK NUT, 3/8 NYLON INSERT
19	0413528P	413-528	16	BOLT, 5/16 X 1-3/4 HEX HEAD
20	1311215P	131-1215	16	LOCK NUT, 5/16 HEX
21	3058C91P	1263058C91	1	REAR BEARING, INCLUDES HOUSING AND LOCKING COLLAR
22	60072C3	1260072C3	1	SHAFT, REAR FAN
23	60010C1	1260010C1	1	FAN BLADE
24	60073C1	1260073C1	1	SHAFT SPACER
25	60257C1P	1260257C1	1	FRONT BEARING, INCLUDES HOUSING AND LOCKING COLLAR (2/FRONT FAN, 1/ REAR FAN)
26	43386R1P	543386R1	2	LOCK NUT, 7/8
27	0118001P	118001	3	WOODRUFF KEY, 5/16 X 2-1/8
28	9581214P	495-81214	2	WASHER, 1-13/32 X 2-1/4 X 1/16
29	01480P	434-624	4	BOLT, 3/8 X 1-1/2 CARRIAGE
30	11234P	21622R1	4/6	LOCK NUT, 3/8 NYLON INSERT
31	00530P	96-11144	1	WASHER, 1.390 X 2.125 X .135"
32	9611094P	496-11094	2	WASHER - 1.75 X .937 X .13 HDN
33	38322C1	1338322C1	1	PULLEY - FAN (1844-635)
34	87012C2	87012C2	NA	FAN PULLEY - 3 GROOVE - REAR DRIVE - MODELS: 1822-2155 (CALL FOR AVAILABILITY)
35.1	B88899C5	1288899C5	1	FAN ROTOR - 1822, 1844, 2022, 2044 - (2 Band) Length 73-55/64
35.2	B46117C1	1546117C1	NA	FAN ROTOR - 2055, 2155 - (2 Band) - 63.8"
35.3	46117C2P	1546117C2	1	BELT- IH FAN DRIVE - REAR - (3 Band) : 76.5" (2055 - CPX620 (Prior to S/N Y6T011701)) USA MADE

Case / IH Front Fan Assembly, 2555 (S.N. 500) - 635



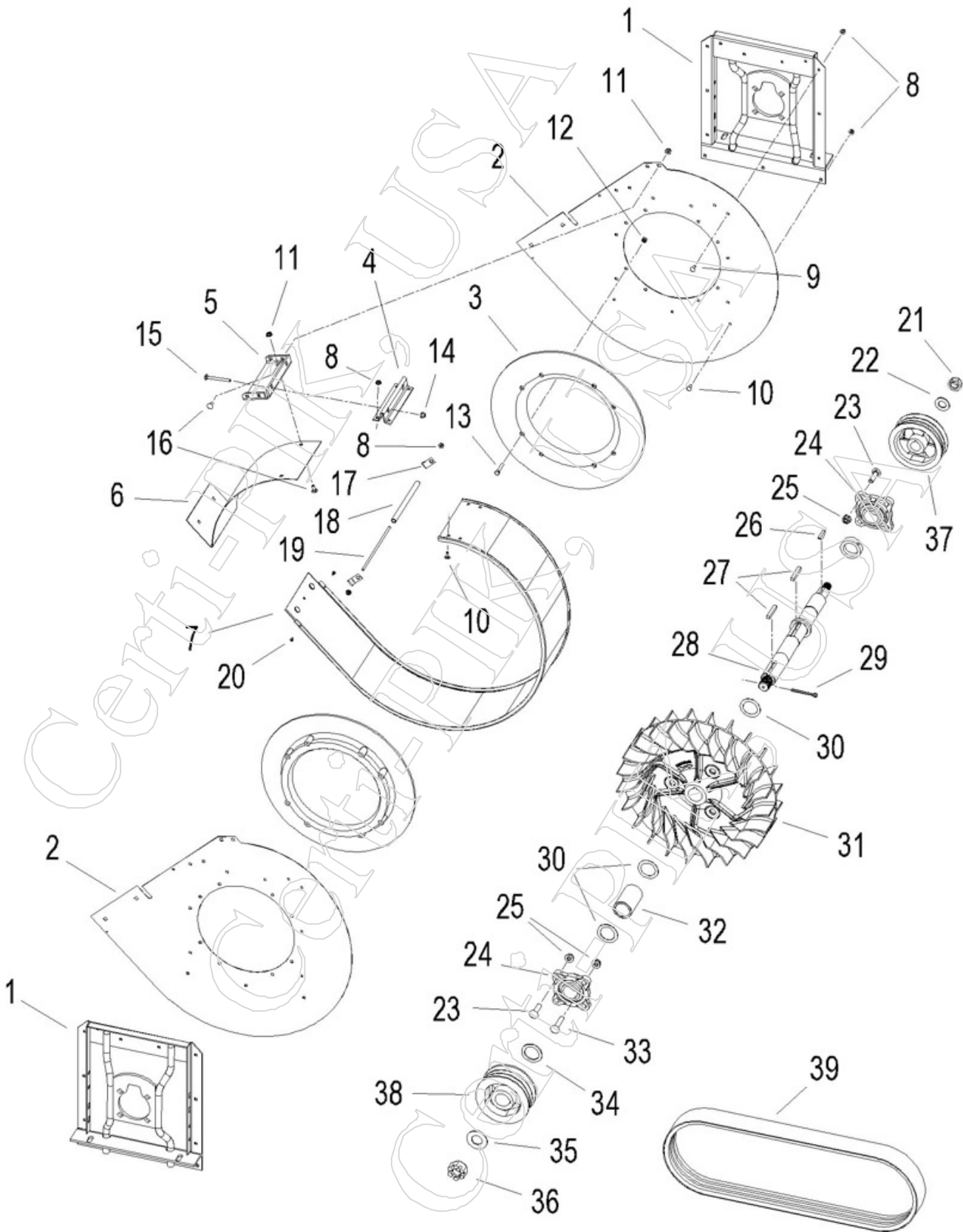
Item	Part	OEMPart	Qty	Desc
KIT.1	49982A1	449982A1	1	FRONT FAN KIT, FAN KIT, ALL PARTS UNASSEMBLED, & # 09030 BOLT KIT (INCLUDES ITEMS #1-#34), MODELS 2555-635
KIT.2	49982A1A	449982A1	1	FRONT FAN KIT, FAN KIT, ALL PARTS ASSEMBLED, (INCLUDES ITEMS #1-#34), MODELS 2555-635
KIT.3	09030	<-----OEM	1	BOLT KIT, COMPLETE FOR CNH FRONT FAN KIT, 2555-635 (1.75 SHAFT)
1	43038A2	243038A2	1	CNH SIDE SUPPORT 4-BOLT REAR - 1.75 DIA SHAFT - 1 ON FRONT FAN - 2 ON REAR FAN
2	60067C2	1260067C2	2	FAN SIDE PANEL - NEW STYLE - LARGER TRANSITION NOTCH
3	07515C1	207515C1	2	BAFFLE, PLASTIC BAFFLE OR ORIFICE
4	21533C1	221533C1	1	WRAP AROUND, HOUSING COVER
5	04414C1	204414C1	1	BRACKET, HOUSING COVER TENSION BRACKET
6	04415C1	204415C1	1	BRACKET, UNDER SHROUD TENSION BRACKET
7	04416C1	204416C1	1	UNDER SHROUD, HOUSING COVER
8	7403361	87403361	1	CNH SIDE SUPPORT 4-BOLT FRONT - 1.75 DIA SHAFT - 1 ON FRONT FAN - NOT ON REAR FAN
9	10217P	N10217	32	LOCK NUT, 1/4 SERRATED
10	0434412P	434-412	10	BOLT, 1/4 X 3/4 CARRIAGE
11	0043448P	434-48	20	BOLT, 1/4 X 1/2 CARRIAGE
12	1311215P	131-1215	16	LOCK NUT, 5/16 HEX
13	0413528P	413-528	16	BOLT, 5/16 X 1-3/4 HEX HEAD
14	11234P	425-106	2	LOCK NUT, 3/8 NYLON INSERT
15	01540P	434-512	6	BOLT, 5/16 X 3/4 CARRIAGE
16	10213P	425-105	6	LOCK NUT, 5/16 SERRATED FLANGE
17	01565P	433-648	2	BOLT, 3/8 X 3 CARRIAGE
18	15020C1	215020C1	1	PIPE, HOUSING SPACER
19	15709C1	215709C1	1	STUD
20	62120R1P	362120R1	2	CLASP, CABLE CLIP
21	2601346P	260-1346	2	SCREW, 8-18 X 3/8 SELF-TAP
22	0433832P	433-832	8	1/2-13*1-3/4 CARRIAGE BOLT
23	42834A2	242834A2	1	1-3/4" BEARING ASSEMBLY
24	62934P	E62934	8	NUT, 1/2 FLANGED
25	57206R1P	657206R1	1	3/8 SQUARE KEY, 2-3/8 " LONG
26	0118001P	126-147	1	WOODRUFF KEY, 5/16 X 2-1/8
27	49301A2	449301A2	1	FRONT FAN SHAFT - CNH 1.75" DIA
28	43041A1	243041A1	1	CNH FAN BLADE - 1.75" ID - NEW STYLE
29	9581092P	495-81092	3	WASHER - 2.50 X 1.78 X .06
30	43037A1	243037A1	1	SPACER - 1.75 ID CNH FAN SHAFT
31	49746A1	449746A1	1	SPACER - .38 THICK, 1.75 FAN SHAFT
32	9611094P	496-11094	1	WASHER - 1.75 X .937 X .13 HDN
33.1	0281010P	281010	1	7/8-14 GC - TOP LOCK NUT (USED IN BOLT KIT & FAN ASSY)
33.2	3246314P	324-6314	1	7/8-14 GC - FLANGED - TOP LOCK NUT
34	38322C1	1338322C1	1	PULLEY - FAN (1844-635)
35	38328C1P	1338328C1	1	BELT- IH FAN DRIVE - FRONT - 3 BAND: 50" 1844 (S/N JJC002462 & above), 2044, 2055, 2155, 2555, CPX420, CPX420 Tier III, CPX610, CPX620, 625, 635-REAR

Case / IH Rear Fan Assembly, 2555 (S.N.500) - 635



Item	Part	OEMPart	Qty	Desc
KIT.1	50631A1	450631A1	1	REAR FAN KIT, FAN KIT, ALL PARTS UNASSEMBLED, (INCLUDES ITEMS #1-#37) & #09040 BOLT KIT, MODELS 2555-635 - (DRIVE PULLEY #38 NOT IN KIT: CALL FOR AVAILABILITY)
KIT.2	50631A1A	450631A1	1	REAR FAN KIT, FAN KIT, ALL PARTS ASSEMBLED, (INCLUDES ITEMS #1-#37), MODELS 2555-635 - (DRIVE PULLEY #38 NOT IN KIT: CALL FOR AVAILABILITY)
KIT.3	09040	<-----OEM	1	BOLT KIT, COMPLETE FOR CNH REAR FAN KIT, 2555-635 (1.75 SHAFT)
1	43038A2	243038A2	1	CNH SIDE SUPPORT 4-BOLT REAR - 1.75 DIA SHAFT - 1 ON FRONT FAN - 2 ON REAR FAN
2	60066C2	1260066C2	2	FAN 45DEGREE SIDE PANEL - NEW STYLE - LARGER TRANSITION NOTCH
3	07515C1	207515C1	2	BAFFLE, PLASTIC BAFFLE OR ORIFICE
4	04414C1	204414C1	1	BRACKET, HOUSING COVER TENSION BRACKET
5	04415C1	204415C1	1	BRACKET, UNDER SHROUD TENSION BRACKET
6	04416C1	204416C1	1	UNDER SHROUD, HOUSING COVER
7	21533C1	221533C1	1	WRAP AROUND, HOUSING COVER
8	10217P	N10217	32	LOCK NUT, 1/4 SERRATED
9	0043448P	434-48	20	BOLT, 1/4 X 1/2 CARRIAGE
10	0434412P	434-412	10	BOLT, 1/4 X 3/4 CARRIAGE
11	10213P	425-105	6	LOCK NUT, 5/16 SERRATED FLANGE
12	1311215P	131-1215	16	LOCK NUT, 5/16 HEX
13	0413528P	413-528	16	BOLT, 5/16 X 1-3/4 HEX HEAD
14	11234P	425-106	2	LOCK NUT, 3/8 NYLON INSERT
15	01565P	433-648	2	BOLT, 3/8 X 3 CARRIAGE
16	01540P	434-512	6	BOLT, 5/16 X 3/4 CARRIAGE
17	62120R1P	362120R1	2	CLASP, CABLE CLIP
18	15020C1	215020C1	1	PIPE, HOUSING SPACER
19	15709C1	215709C1	1	STUD
20	2601346P	260-1346	2	SCREW, 8-18 X 3/8 SELF-TAP
21.1	0281010P	281010	1	7/8-14 GC - TOP LOCK NUT (USED IN BOLT KIT & FAN ASSY)
21.2	3246314P	324-6314	1	7/8-14 GC - FLANGED - TOP LOCK NUT
22	9611094P	496-11094	1	WASHER - 1.75 X .937 X .13 HDN
23	0433832P	433-832	7	1/2-13*1-3/4 CARRIAGE BOLT
24	42834A2	242834A2	1	1-3/4" BEARING ASSEMBLY
25	62934P	E62934	8	NUT, 1/2 FLANGED
26	0118001P	126-147	1	WOODRUFF KEY, 5/16 X 2-1/8
27	57206R1P	657206R1	2	3/8 SQUARE KEY, 2-3/8 " LONG
28	05117A2	405117A2	1	REAR FAN SHAFT - CNH 1.75" DIA
29	00250P	432-1636	1	COTTER PIN, 1/4 X 2-1/2
30	9581092P	495-81092	3	WASHER - 2.50 X 1.78 X .06
31	43041A1	243041A1	1	CNH FAN BLADE - 1.75" ID - NEW STYLE
32	43037A1	243037A1	1	SPACER - 1.75 ID CNH FAN SHAFT
33	0433840P	433-840	1	1/2-13*2-1/2 CARRIAGE BOLT
34	9581093P	495-81093	1	WASHER - 2.50 X 1.78 X .12
35	9611131P	396-11131	1	WASHER - 2.50 X 1.31 X .13 HDN
36	00927P	25-1320	1	NUT, 1-1/4-12 CASTLE NUT
37	38322C1	1338322C1	1	PULLEY - FAN (1844-635)

Case / IH Rear Fan Assembly, 2555 (S.N.500) - 635



Case / IH Rear Fan Assembly, 2555(S.N.500)-635 Mod Exp

90-4

<u>Item</u>	<u>Part</u>	<u>OEMPart</u>	<u>Qty</u>	<u>Desc</u>
38.1	67490A1	367490A1	NA	FAN PULLEY - 3 GROOVE - REAR DRIVE - MODELS: 2555 & 610 (CALL FOR AVAILABILITY)
38.2	50597A1	450597A1	NA	FAN PULLEY - 3 GROOVE - REAR DRIVE - MODEL: 420 & 420 TIER 3 (CALL FOR AVAILABILITY)
38.3	7459079	87459079	NA	FAN PULLEY - 3 GROOVE - REAR DRIVE - MODELS: 620-625 EXPRESS (CALL FOR AVAILABILITY)
38.4	4157163	84157163	NA	FAN PULLEY - 3 GROOVE - REAR DRIVE - MODEL: 635 EXPRESS (CALL FOR AVAILABILITY)
39	46117C2P	1546117C2	1	BELT- IH FAN DRIVE - REAR - (3 Band) : 76.5" (2055 - CPX620 (Prior to S/N Y6T011701)) USA MADE