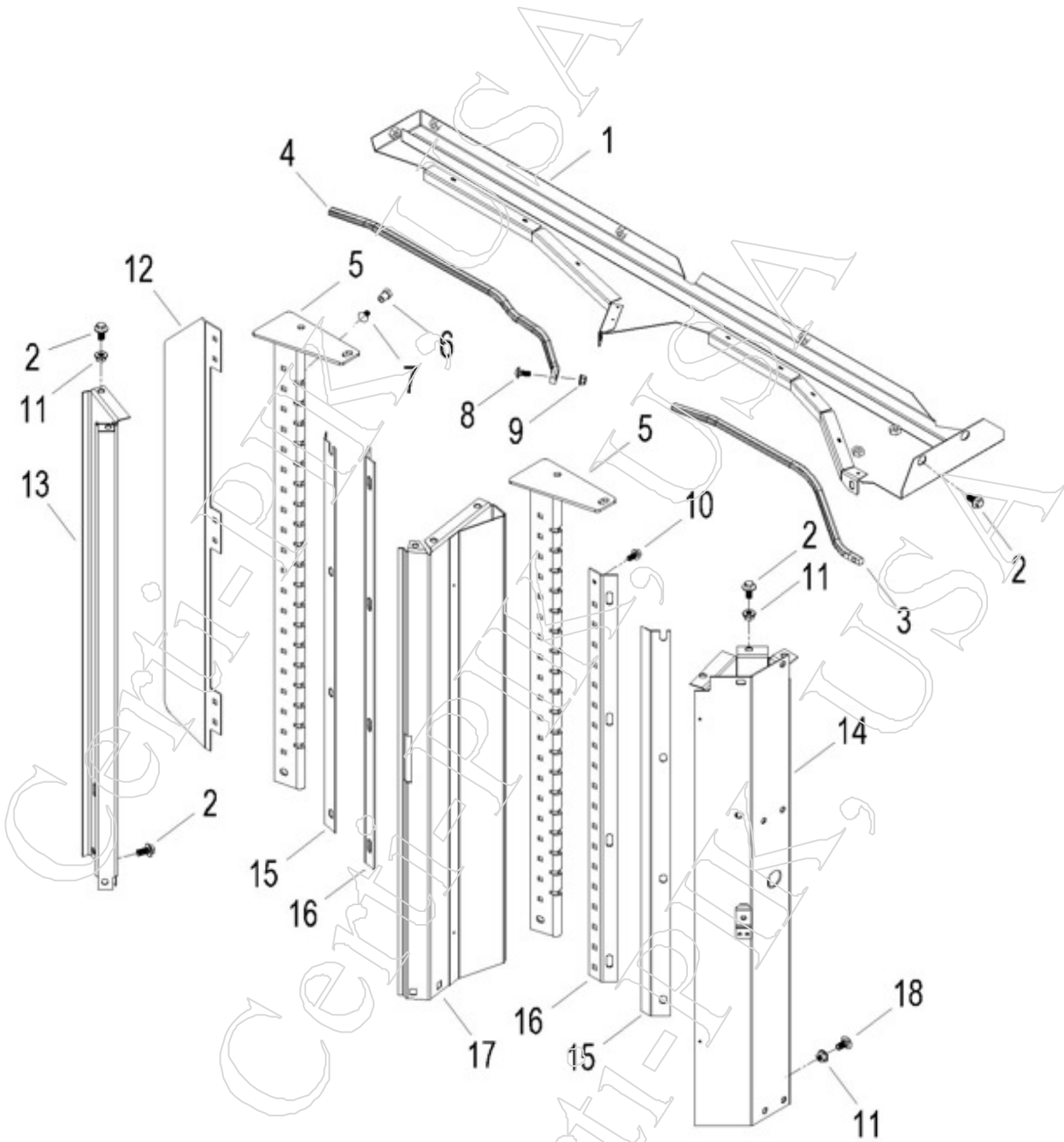


John Deere 9976-CP690 Grid Bar and Cabinet Supports



John Deere 9976-CP690 Grid Bar and Cabinet Supports

20-14

<u>Item</u>	<u>Part</u>	<u>OEMPart</u>	<u>Qty</u>	<u>Desc</u>
1.1	73507	AN273507	1	SHEET - THROAT (9976-9996)
1.2	72916	AN372916	1	SHEET - THROAT (7760-CP690)
2	07784P	19M7784	AR	BOLT - M10 X 20 - SMOOTH HEX FLANGE - GD 10.9
3	77542	N277542	19	PRO GRID BAR - FRONT
4	77543	N277543	19	PRO GRID BAR - REAR
5	73413	AN273413	2	CHANNEL - REAR GRID BAR
6	74171	N274171	AR	NUT - M8 - TUBE - REAR GRID BAR
7	07183P	03M7183	AR	BOLT - M8 X 16 ROUND HEAD - SQR NECK
8	07386P	03M7386	AR	BOLT - M8 X 20 ROUND HEAD - SHORT SQR NECK
9	07298P	14M7298	AR	NUT - M8 - FLANGED TOP LOCK
10	07865P	19M7865	AR	BOLT - M8 X 16 - SMOOTH HEX FLANGE
11	63526P	E63526	AR	NUT - M10 - SERR HEX FLANGE
12	74649	N374649	1	DEFLECTOR - REAR CABINET (REPLACES N275264)
13	74148	N274148	1	PANEL - REAR CABINET
14	13132	AKK13132	1	POST - FRONT CABINET (9996, CP690, 7760)
15	73195	N373195	2	ANGLE - FRONT GRID BAR BOLT COVER
16	73193	N373193	2	ANGLE - FRONT GRID BAR HOLDER (9986, 9996, CP690, 7760)
17	72636	AN272636	1	PANEL - MID CABINET
18	07190P	03M7190	1	BOLT - M10 X 20 ROUND HEAD - SQR NECK