

# John Deere 9935, 9970-CP690 PRO-12 18S Pressure Plate Assembly

## PLATE PROFILE COMPARISON

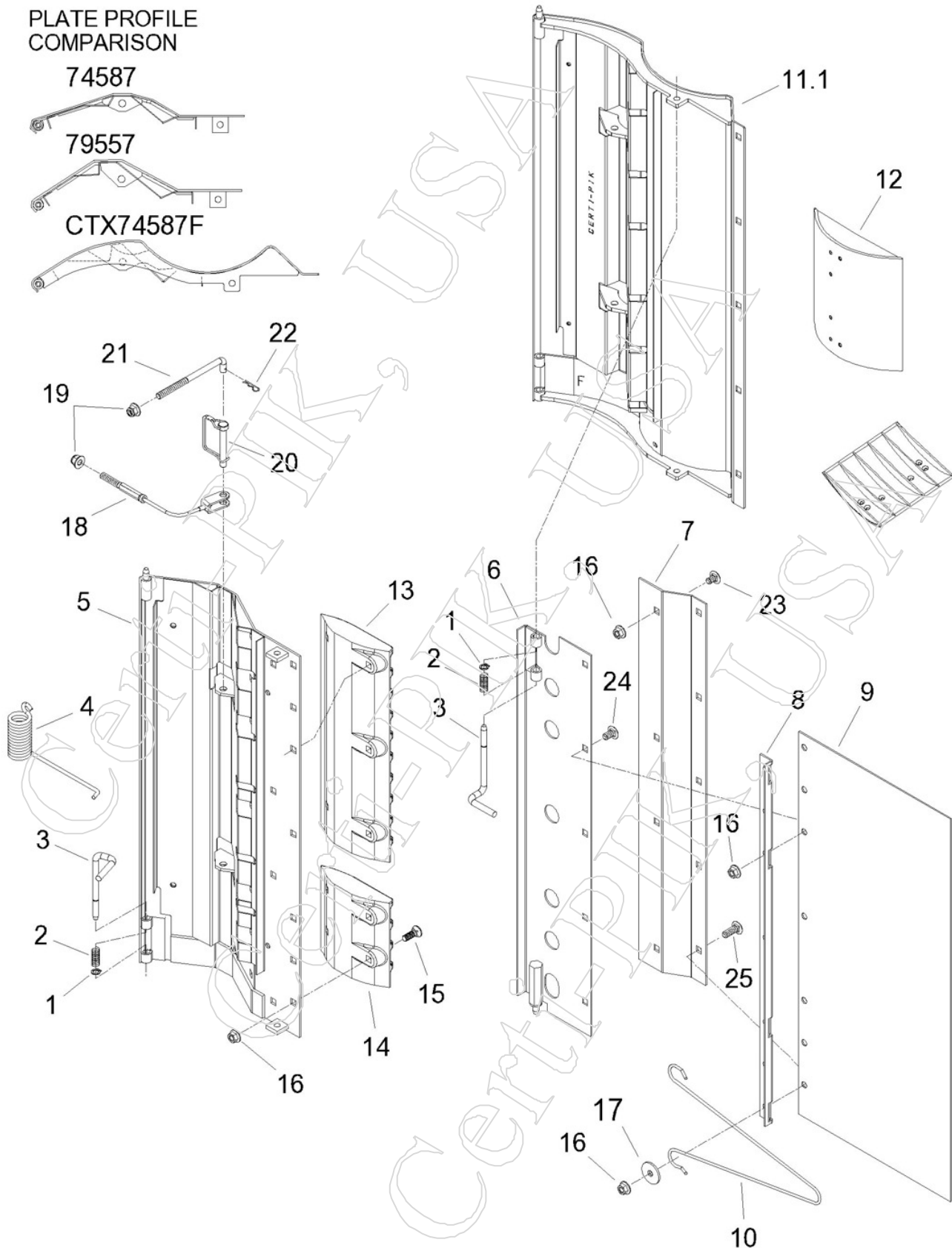
74587



79557



CTX74587F



# John Deere 9935, 9970-CP690 18S Pressure Plate Assembly

20-9

<u>Item</u>	<u>Part</u>	<u>OEMPart</u>	<u>Qty</u>	<u>Desc</u>
1	33504P	N33504	1	SNAP RING (9900-CP690)
2	19488P	KK19488	1	SPRING - (9900-CP690) REPLACES N33404
3.1	75113	N275113	1	PIN - PRESSURE PLATE PRO SERIES (9935, 9970-CP690)
3.2	75113K	<-----OEM	1	PIN KIT - INCLUDES: 1x #75113-PIN, 1x #19488P-SPRING, 1x #33504P-SNAP RING
4.1	76341	N276341	2	SPRING - R.H. TORSION, PRO - PRESSURE PLATE, 9935-CP690 ( TOP AND BOTTOM POSITIONS )
4.2	90464	N190464	4	SPRING - R.H. TORSION (9900-CP690)
5.1	74587	AN274587	1	PRESSURE PLATE - PRO-12 18S (9935-CP690)
5.2	79557	AN279557	1	PRESSURE PLATE - PRO-12 (18S)- NEW DEEP STYLE CONTOUR (9970-CP690) (ILL.)
6	74542	AN274542	1	EXTENSION - FRONT PRESSURE PLATE, PRO-12 18S (9970-CP690)
7	78127	N278127	1	EXTENSION - REAR PRESSURE PLATE, PRO-12 18S (9970-CP690)
8	78107	N278107	1	ANGLE - EXTENSION CLAMP, PRESSURE PLATE, PRO-12 18S, (AR: 5x 01519-1"-BOLT & 5x 10215P-NUT) (9970-CP690)
9	78108	N278108	1	EXTENSION - PLASTIC, PRESSURE PLATE, PRO-12 (9935-9996)- 18S (FRONT & REAR)- SUBS TO #KK10468: (7760-CP690)
10	98712	N198712	2	REINFORCEMENT - PRESSURE PLATE (9935-CP690 - IN-LINE & PRO) 2x / 18S PLATE, 3x / 20S PLATE
11.1	CTX74587F	<-----OEM	1	Single Pik - CTX ExtenDoor - JD - PRESSURE PLATE - PRO 12 18S : FRONT (9970-CP690) REPLACES OEM #AN274587 & AN279557 - (THIS DOOR USES 3x #669970 SCRAPPING PLATES)
11.2	CTX74587R	<-----OEM	1	Single Pik - CTX ExtenDoor - JD - PRESSURE PLATE - PRO 12 18S : REAR (9970-CP690) REPLACES OEM #AN274587 - (THIS DOOR USES 3x #669970 SCRAPPING PLATES)
12	669970	<-----OEM	3	CTX (5-SPINDLE) SCRAPPING PLATE - SOLD WITH ATTACHING HARDWARE- 2 BOLTS, & NUTS, NOT USED W/ REAR CASE
13	72970	N372970	1	10 SPINDLE SCRAPPING PLATE - FITS OEM STYLE JD DOORS - PRO SERIES - 2 / PRO-16 DOOR , 1 / PRO-12 DOOR
14	72971	N372971	2	4 SPINDLE SCRAPPING PLATE - FITS OEM STYLE JD DOORS - PRO SERIES - 2 / PRO-12 DOOR
15	07004P	09M7004	13	BOLT - M10 X 30 - PLOW - PRO SCRAPPING PLATE
16	63526P	E63526	AR	NUT - M10 - SERR HEX FLANGE
17	01730P	24H1296	4	WASHER - .410 X 1.5 X .120"
18	73753	AN273753	1	CABLE ASSEMBLY - PRO - REAR PRESSURE DOOR TENSION
19	07400P	14M7400	1	NUT - M10-1.5 - NYLON LOCK
20	31764P	AN131764	1	PIN FASTENER LOCK - PRO - REAR PRESSURE DOOR
21	76049	N276049	1	HOOK BOLT - PRO - FRONT PRESSURE DOOR TENSION
22	16931P	J16931	1	PIN - SPRING LOCK PIN
23	07190P	03M7190	4	BOLT - M10 X 20 ROUND HEAD - SQR NECK
24	07191P	03M7191	5	BOLT - M10 X 25 ROUND HEAD - SQR NECK
25	07192P	03M7192	5	BOLT - M10 X 30 ROUND HEAD - SQR NECK