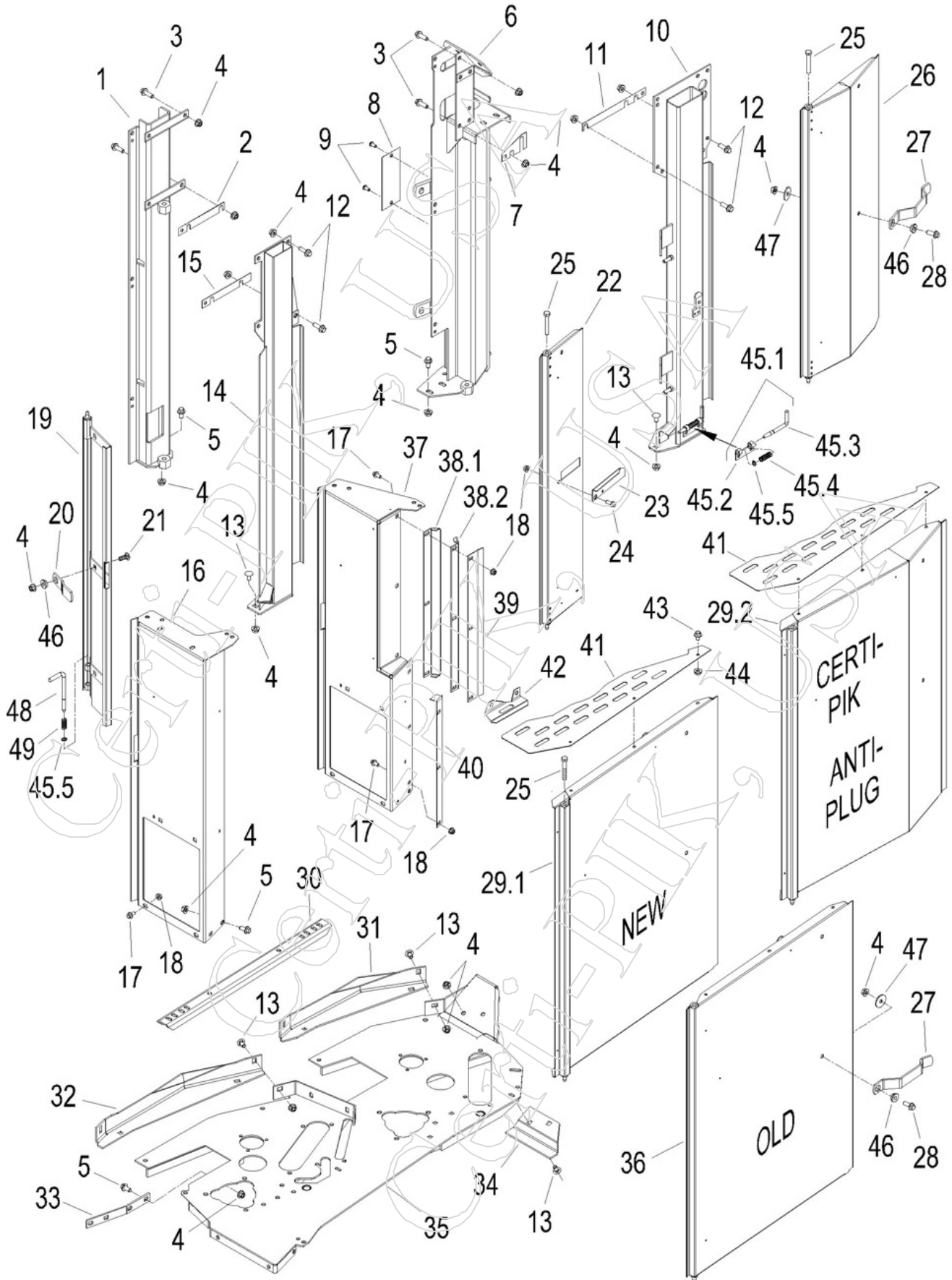


John Deere 9976-CP770 Lower Cabinet, Posts, and Doors

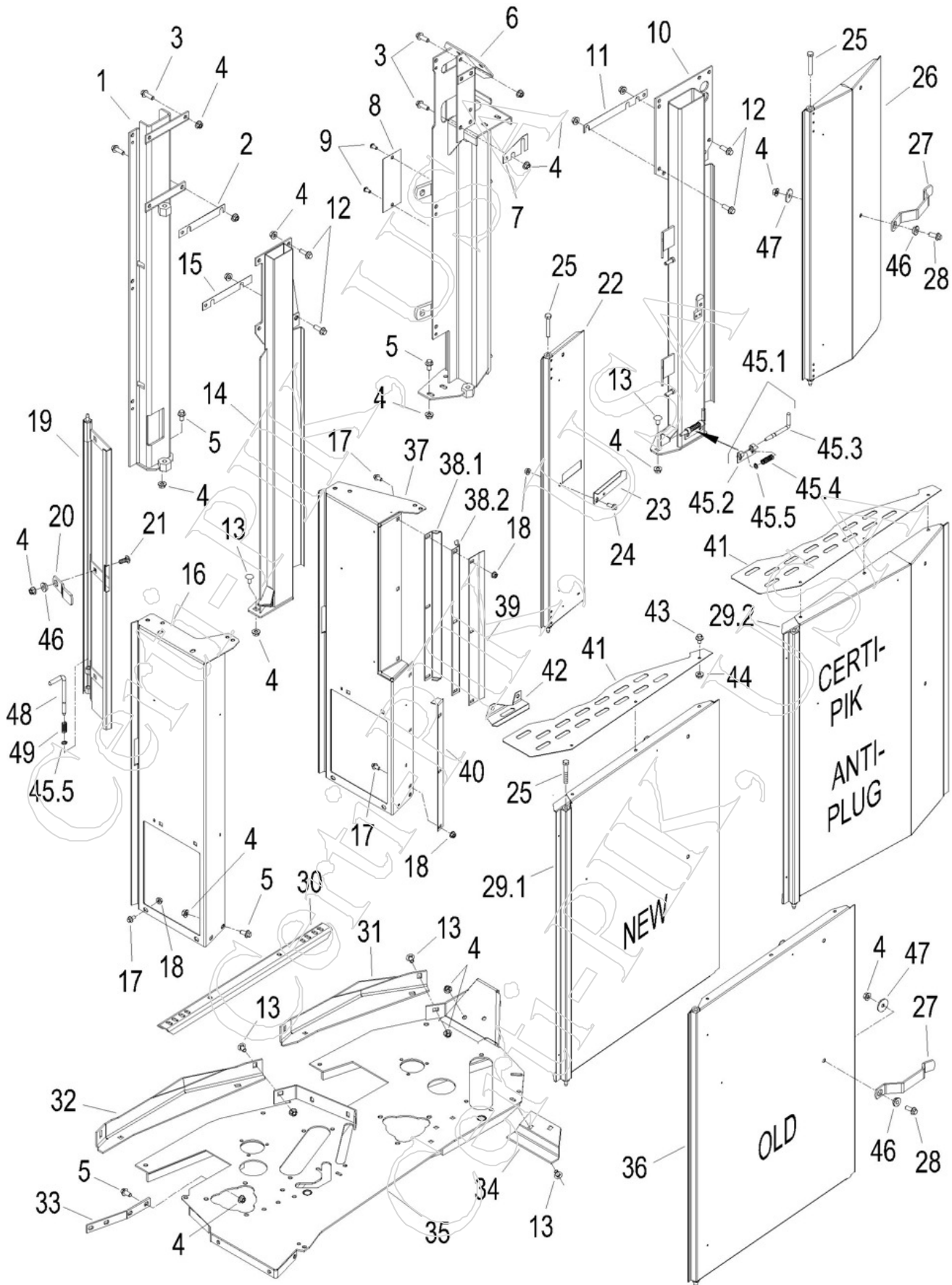


John Deere 9976-CP770 Lower Cabinet, Posts, and Doors

20-15

Item	Part	OEMPart	Qty	Desc
1.1	72593	AN272593	1	POST - LH REAR (9976, 9986, 9996)
1.2	72909	AN372909	1	POST - LH REAR (7760-CP770 BALER) (ILL.)
2	75311	N275311	AR	SHIM - .036" REAR LEFT
3	33288P	TCU33288	AR	BOLT - M10 X 30 - SERR HEX FLANGE
4	63526P	E63526	AR	NUT - M10 - SERR HEX FLANGE
5	75620P	N275620	AR	BOLT - M10 X 20 - SERR HEX FLANGE - GD 8 - NOT THREAD FORMING
6.1	73135	AN273135	1	POST - LH FRONT (9976, 9986, 9996)
6.2	72910	AN372910	1	POST - LH FRONT (7760-CP770 BALER) (ILL.)
7	79649	N379649	AR	SHIM - .036" FRONT LEFT
8	80255	N380255	1	STRAP - POST COVER
9	76152P	37M7092	AR	SCREW - M8 X 16mm - TORX DRIVE T40 - THREAD FORMING
10	77142	AN277142	1	POST - FRONT RIGHT (9976-CP690)
11.1	75205	N275205	AR	SHIM - .036" FRONT RIGHT
11.2	75206	N275206	AR	SHIM - .048" FRONT RIGHT
12	07786P	19M7786	AR	BOLT - M10 X 30 - SMOOTH HEX FLANGE
13	07190P	03M7190	AR	BOLT - M10 X 20 ROUND HEAD - SQR NECK
14	78015	AN278015	1	JET POST - R.H. REAR, PRO-16 (9986-CP770)
15.1	98646	N198646	AR	SHIM - .030" REAR RIGHT
15.2	98650	N198650	AR	STRAP - .036" REAR RIGHT
15.3	98647	N198647	AR	STRAP - .048" REAR RIGHT
16	76684	AN276684	1	PRO 16 REAR CABINET SUPPORT (9976-CP770) (CPK ADDED INNER TOP HOLE TO REPLACE #AN273520 SUPPORT) (DOOR #76830 USES OUTER HOLE ON #76684 SUPPORT & #73565 CAB. BOTTOM) (DOOR #72628 USES INNER HOLES)
17	07183P	03M7183	AR	BOLT - M8 X 16 ROUND HEAD - SQR NECK
18	63525P	E63525	AR	NUT - M8 - SERR HEX FLANGE
19	73000	AN273000	1	DOOR - REAR INSPECTION
20	98287	N198287	1	HANDLE - REAR INSPECTION DOOR
21	07191P	03M7191	AR	BOLT - M10 X 25 ROUND HEAD - SQR NECK
22	73516	AN273516	1	DOOR - INNER INSPECTION
23	77149	N277149	1	HANDLE - INNER INSPECTION DOOR
24	75980P	N275980	AR	BOLT - M8 X 20 - SERR HEX FLANGE
25	07742P	19M7742	AR	BOLT - M10 X 65 - HEX
26	73515	AN273515	1	PRO 16 FRONT SERVICE DOOR (9976-CP770)
27	78463	N378463	1	HANDLE - OUTER SERVICE DOORS (REPLACES N276090 & N272051)
28	75625P	N275625	AR	BOLT - M10 X 25 - SERR HEX FLANGE
29.1	76830	AN276830	1	PRO 16 REAR SERVICE DOOR (9976-CP770) USE W/ #16: SUPPORT #76684 (USE OUTER PIVOT HOLE) USE # 27135 COVER TO INCREASES AIR FLOW AND KEEP OUT TRASH
29.2	CPIK76830	<-----OEM	1	PRO 16 REAR SERVICE DOOR (9976-CP690) USE W/ #16: SUPPORT #76684 (USE OUTER PIVOT HOLE) - ANTI-PLUG DOOR - FORMED OUT TO INCREASE AIR FLOW FROM FRONT DRUM * WILL NOT FIT ON 30 INCH ROWS * USE #27135
30	72430	N272430	1	CHANNEL - BOTTOM LEFT CABINET
31	70149	N370149	1	ANGLE - FRONT GUIDE
32	70150	N370150	1	ANGLE - REAR GUIDE
33	74243	N274243	1	ANGLE - REAR CABINET
34	75243	N275243	1	ANGLE - FRONT CABINET PLATE
35	73565	AN373565	1	FRAME - BOTTOM CABINET

John Deere 9976-CP770 Lower Cabinet, Posts, and Doors



John Deere 9976-CP770 Lower Cabinet, Posts, and Doors

20-15

<u>Item</u>	<u>Part</u>	<u>OEMPart</u>	<u>Qty</u>	<u>Desc</u>
36	72628	AN272628	1	PRO 16 REAR SERVICE DOOR (9976) USE W/ #16: SUPPORT #76684 (USE INNER PIVOT HOLE) USE # 27135 COVER TO INCREASES AIR FLOW AND KEEP OUT TRASH
37	76383	AN276383	1	SUPPORT - REAR CABINET PANEL - NOTCHED - ROW UNIT #3 - 36" SPACING
38	72228	N372228	1	ANGLE - TOP INNER - USED WITH CABINET SUPPORT # 76383 (POSITION 38.1 USED WITH DOOR #76830 & CPIK76830, POSITION 38.2 USED WITH DOOR #72628)
39	72227	N372227	1	ANGLE - TOP OUTER - USED WITH CABINET SUPPORT # 76383 (USED ONLY WITH DOOR #72628)
40	72229	N372229	1	ANGLE - BOTTOM - USED WITH CABINET SUPPORT # 76383 (USED ONLY WITH DOOR #72628)
41	27135	KK27135	1	COVER - CABINET - PRO-16 (ATTACHES TO TOP OF DOOR #CPIK76830, # 76830, OR # 72628 WITH 3x 07861P SCREWS & 3x 63524P NUTS) (SUPPORTED BY #78863) INCREASES AIR FLOW AND KEEPS OUT TRASH
42	78863	N278863	1	COVER - BRACKET - PRO-12&16 (SUPPORTS #27135)
43	07861P	19M7861	3	BOLT - M6 X 10 - SMOOTH HEX FLANGE
44	63524P	E63524	3	NUT - M6 - SERR HEX FLANGE
45.1	L76830KIT	L76830KIT	1	KIT - ANTI WEED LATCH - 76830 & CPIK76830 DOOR RETAINER - INCLUDES: HOUSING, PIN, SPRING, AND RETAINING RING - ATTACH TO FRONT OUTER POST #77142
45.2	L76830H	L76830H	1	HOUSING - ANTI WEED LATCH - 76830 & CPIK76830 DOOR RETAINER
45.3	L76830PIN	L76830PIN	1	PIN - ANTI WEED LATCH - 76830 & CPIK76830 DOOR RETAINER
45.4	L76830S	L76830S	1	SPRING - ANTI WEED LATCH - 76830 & CPIK76830 DOOR RETAINER
45.5	33504P	N33504	1	SNAP RING (9900-CP770)
46	25732	N125732	1	SHOULDER WASHER - PICKING UNIT DOOR HANDLE
47	01730P	24H1730	1	WASHER - .410 X 1.5 X .120"
48.1	76025	N276025	1	DOOR PIN FASTENER (REPLACES # N275113) (9935, 9970-CP770)
48.2	76025K	<-----OEM	1	PIN KIT - INCLUDES: 1x #76025-PIN, 1x #19488P-SPRING, 1x #33504P-SNAP RING
49	19488P	KK19488	1	SPRING - (9900-CP770) REPLACES N33404