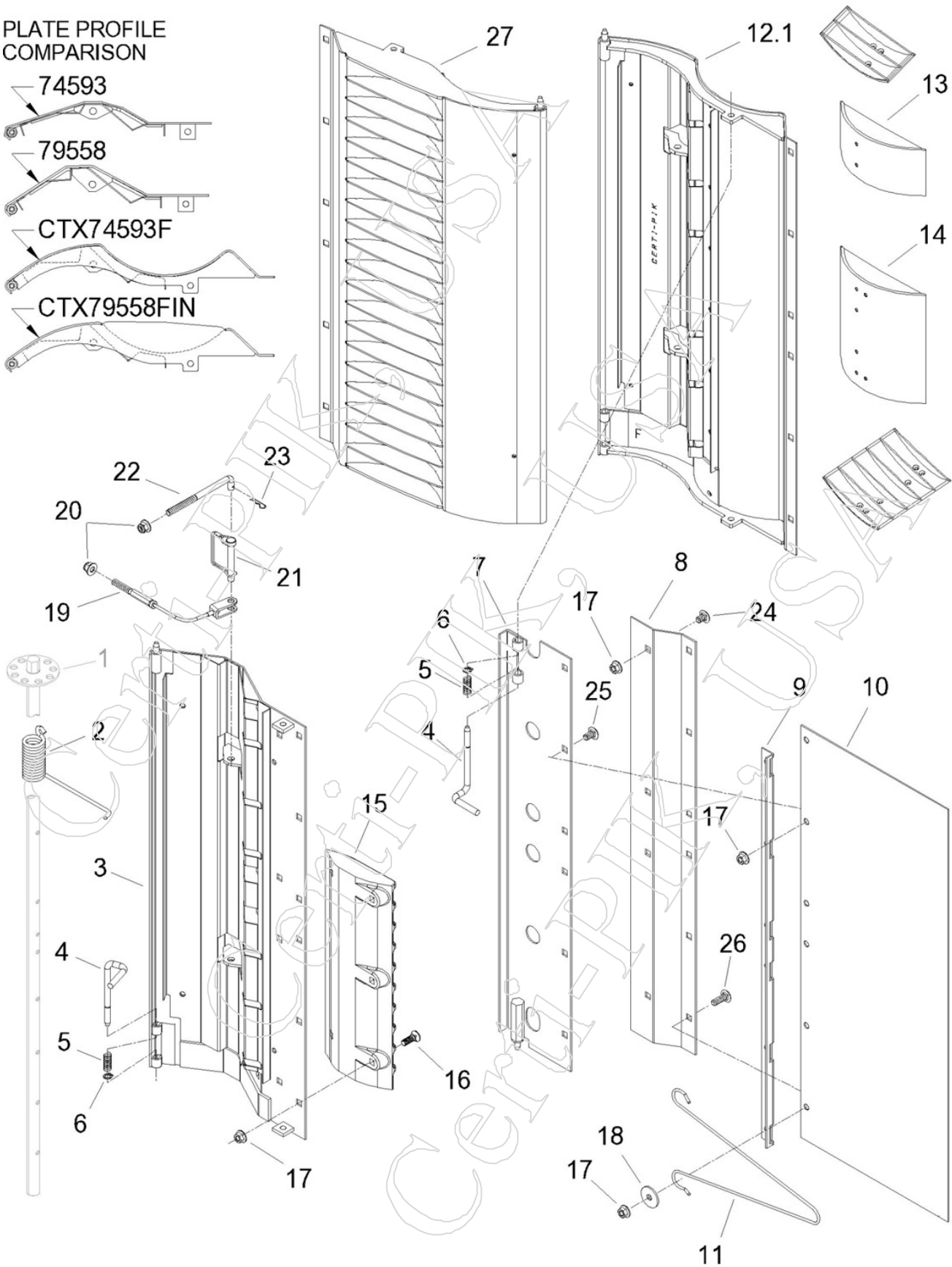
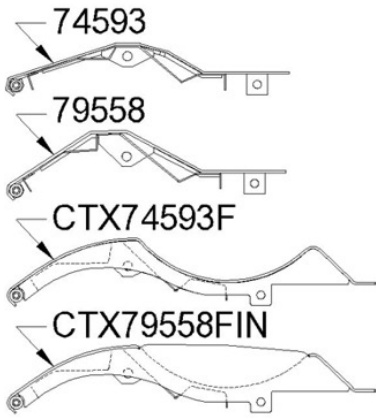


John Deere 9976-CP770 PRO-16 20S Pressure Plate Assembly

PLATE PROFILE COMPARISON



John Deere 9976-CP770 PRO-16 20S Pressure Plate Assembly

20-10

| Item | Part | OEMPart | Qty | Desc |
|------|--------------|-----------|-----|---|
| 1 | 72903 | AN272903 | NA | SPRING TUBE - 20S, 9976 PRO16 |
| 2.1 | 76341 | N276341 | 2 | SPRING - R.H. TORSION, PRO - PRESSURE PLATE, 9935-CP770 (TOP AND BOTTOM POSITIONS) |
| 2.2 | 90464 | N190464 | 4 | SPRING - R.H. TORSION (9900-CP690) |
| 3.1 | 74593 | AN274593 | 1 | PRESSURE PLATE - PRO-16 20S (9976-CP690) |
| 3.2 | 79558 | AN279558 | 1 | PRESSURE PLATE - PRO-16 (20S)- NEW DEEP STYLE CONTOUR (9976-CP770) (ILL.) |
| 4.1 | 75113 | N275113 | 1 | PIN - PRESSURE PLATE PRO SERIES (9935, 9970-CP770) SUBS TO #N276025 |
| 4.2 | 75113K | <-----OEM | 1 | PIN KIT - INCLUDES: 1x #75113-PIN, 1x #19488P-SPRING, 1x #33504P-SNAP RING |
| 5 | 19488P | KK19488 | 1 | SPRING - (9900-CP770) REPLACES N33404 |
| 6 | 33504P | N33504 | 1 | SNAP RING (9900-CP770) |
| 7 | 72944 | AN272944 | 1 | EXT. - FRONT PRESSURE PLATE, PRO-16 20S (9976-CP770) |
| 8 | 74103 | N274103 | 1 | EXT. - REAR PRESSURE PLATE, PRO-16 20S (9976-CP690) |
| 9 | 74102 | N274102 | 1 | ANGLE - EXTENSION CLAMP, PRESSURE PLATE, PRO-16 20S (9976-CP770) (AR: 6x 01519-1"-BOLT & 6x 10215P-NUT) |
| 10 | 10467 | KK10467 | 1 | EXTENSION - PLASTIC, PRESSURE PLATE, PRO-16 20S, FRONT & REAR - REPLACES #N274104 : (7760-CP770) |
| 11 | 98712 | N198712 | 3 | REINFORCEMENT - PRESSURE PLATE (9935-CP770 - IN-LINE & PRO) 2x / 18S PLATE, 3x / 20S PLATE |
| 12.1 | CTX74593F | <-----OEM | 1 | Single Pik - CTX ExtenDoor - JD - PRESSURE PLATE - PRO 16 20S : FRONT (9976-CP770) & REAR (7760&CP770) - REPLACES OEM #AN274593 & AN279558 - (THIS DOOR USES 3x #669970 & 1x #669971 SCRAPPING PLATES) |
| 12.2 | CTX74593R | <-----OEM | 1 | Single Pik - CTX ExtenDoor - JD - PRESSURE PLATE - PRO 16 20S : REAR (9976-9996) REPLACES OEM #AN274593 - (THIS DOOR USES 3x #669970 & 1x #669971 SCRAPPING PLATES) |
| 13 | 669971 | <-----OEM | 1 | TOP (2-SPINDLE) CTX SCRAPPING PLATE - SOLD WITH ATTACHING HARDWARE - 2 BOLTS, & NUTS, (1 ON TOP OF 20 SPIN. DOOR) |
| 14 | 669970 | <-----OEM | 1 | CTX (5-SPINDLE) SCRAPPING PLATE - SOLD WITH ATTACHING HARDWARE- 2 BOLTS, & NUTS, NOT USED W/ REAR CASE |
| 15 | 72970 | N372970 | 2 | 10 SPINDLE SCRAPPING PLATE - FITS OEM STYLE JD DOORS - PRO SERIES - 2 / PRO-16 DOOR , 1 / PRO-12 DOOR |
| 16 | 07004P | 09M7004 | 10 | BOLT - M10 X 30 - PLOW - PRO SCRAPPING PLATE |
| 17 | 63526P | E63526 | AR | NUT - M10 - SERR HEX FLANGE |
| 18 | 01730P | 24H1296 | 6 | WASHER - .410 X 1.5 X .120" |
| 19 | 73753 | AN273753 | 1 | CABLE ASSEMBLY - PRO - REAR PRESSURE DOOR TENSION |
| 20 | 07400P | 14M7400 | 1 | NUT - M10-1.5 - NYLON LOCK |
| 21 | 31764P | AN131764 | 1 | PIN FASTENER LOCK - PRO - REAR PRESSURE DOOR |
| 22 | 76049 | N276049 | 1 | HOOK BOLT - PRO - FRONT PRESSURE DOOR TENSION |
| 23 | 16931P | J16931 | 1 | PIN - SPRING LOCK PIN |
| 24 | 07190P | 03M7190 | 4 | BOLT - M10 X 20 ROUND HEAD - SQR NECK |
| 25 | 07191P | 03M7191 | 6 | BOLT - M10 X 25 ROUND HEAD - SQR NECK |
| 26 | 07192P | 03M7192 | 6 | BOLT - M10 X 30 ROUND HEAD - SQR NECK |
| 27.1 | CTX79558FIN | <-----OEM | 6 | Single Pik - CTX ExtenDoor - JD - PRESSURE PLATE - WELDED STEEL SCRAPPING FINS - PRO 16 20S : FRONT (9976-CP770) & REAR (7760&CP770) - REPLACES OEM #AN274593 & AN279558 |
| 27.2 | CTX79558FINR | <-----OEM | 6 | Single Pik - CTX ExtenDoor - JD - PRESSURE PLATE - WELDED STEEL SCRAPPING FINS - PRO 16 20S : REAR (9976-9996) REPLACES OEM #AN274593 |