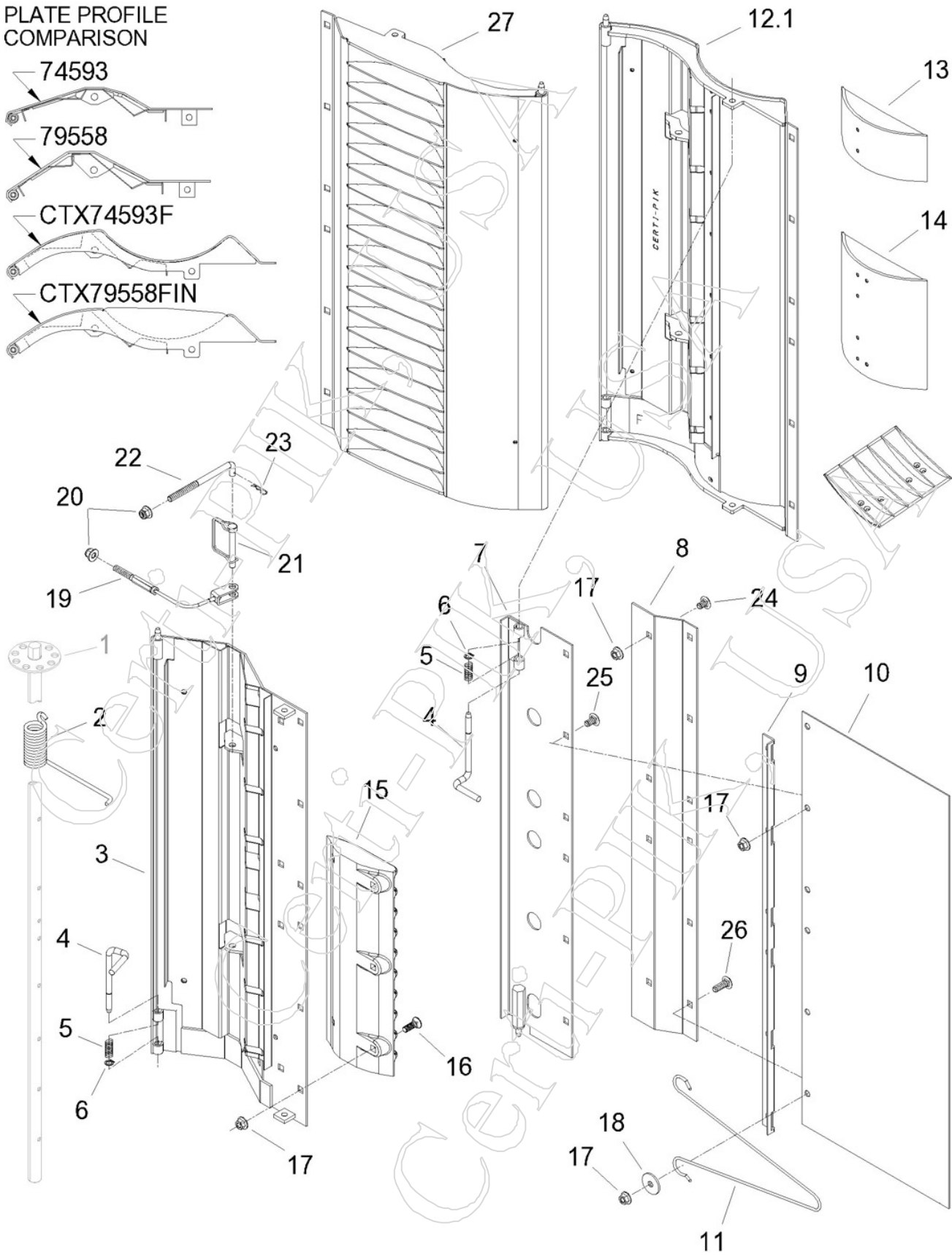
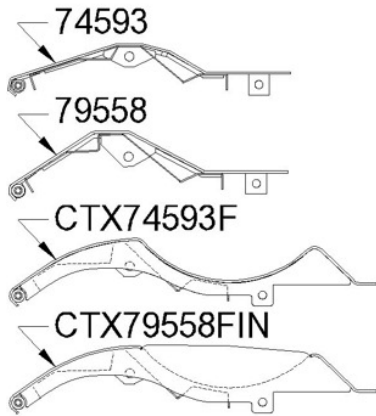


# John Deere 9976-CP690 PRO-16 20S Pressure Plate Assembly

## PLATE PROFILE COMPARISON



# John Deere 9976-CP690 20S Pressure Plate Assembly

20-10

Item	Part	OEMPart	Qty	Desc
1	72903	AN272903	NA	SPRING TUBE - 20S, 9976 PRO16
2.1	76341	N276341	2	SPRING - R.H. TORSION, PRO - PRESSURE PLATE, 9935-CP690 ( TOP AND BOTTOM POSITIONS )
2.2	90464	N190464	4	SPRING - R.H. TORSION (9900-CP690)
3.1	74593	AN274593	1	PRESSURE PLATE - PRO-16 20S (9976-CP690)
3.2	79558	AN279558	1	PRESSURE PLATE - PRO-16 (20S)- NEW DEEP STYLE CONTOUR (9976-CP690) (ILL.)
4.1	75113	N275113	1	PIN - PRESSURE PLATE PRO SERIES (9935, 9970-CP690)
4.2	75113K	<-----OEM	1	PIN KIT - INCLUDES: 1x #75113-PIN, 1x #19488P-SPRING, 1x #33504P-SNAP RING
5	19488P	KK19488	1	SPRING - (9900-CP690) REPLACES N33404
6	33504P	N33504	1	SNAP RING (9900-CP690)
7	72944	AN272944	1	EXT. - FRONT PRESSURE PLATE, PRO-16 20S (9976-CP690)
8	74103	N274103	1	EXT. - REAR PRESSURE PLATE, PRO-16 20S (9976-CP690)
9	74102	N274102	1	ANGLE - EXTENSION CLAMP, PRESSURE PLATE, PRO-16 20S (9976-CP690) (AR: 6x 01519-1"-BOLT & 6x 10215P-NUT)
10	10467	KK10467	1	EXTENSION - PLASTIC, PRESSURE PLATE, PRO-16 20S, FRONT & REAR - REPLACES #N274104 : (7760-CP690)
11	98712	N198712	3	REINFORCEMENT - PRESSURE PLATE (9935-CP690 - IN-LINE & PRO) 2x / 18S PLATE, 3x / 20S PLATE
12.1	CTX74593F	<-----OEM	1	Single Pik - CTX ExtenDoor - JD - PRESSURE PLATE - PRO 16 20S : FRONT (9976-CP690) & REAR (7760&CP690) - REPLACES OEM #AN274593 & AN279558 - ( THIS DOOR USES 3x #669970 & 1x #669971 SCRAPPING PLATES)
12.2	CTX74593R	<-----OEM	1	Single Pik - CTX ExtenDoor - JD - PRESSURE PLATE - PRO 16 20S : REAR (9976-9996) REPLACES OEM #AN274593 - (THIS DOOR USES 3x #669970 & 1x #669971 SCRAPPING PLATES)
13	669971	<-----OEM	1	TOP (2-SPINDLE) CTX SCRAPPING PLATE - SOLD WITH ATTACHING HARDWARE - 2 BOLTS, & NUTS, (1 ON TOP OF 20 SPIN. DOOR)
14	669970	<-----OEM	1	CTX (5-SPINDLE) SCRAPPING PLATE - SOLD WITH ATTACHING HARDWARE- 2 BOLTS, & NUTS, NOT USED W/ REAR CASE
15	72970	N372970	2	10 SPINDLE SCRAPPING PLATE - FITS OEM STYLE JD DOORS - PRO SERIES - 2 / PRO-16 DOOR , 1 / PRO-12 DOOR
16	07004P	09M7004	10	BOLT - M10 X 30 - PLOW - PRO SCRAPPING PLATE
17	63526P	E63526	AR	NUT - M10 - SERR HEX FLANGE
18	01730P	24H1296	6	WASHER - .410 X 1.5 X .120"
19	73753	AN273753	1	CABLE ASSEMBLY - PRO - REAR PRESSURE DOOR TENSION
20	07400P	14M7400	1	NUT - M10-1.5 - NYLON LOCK
21	31764P	AN131764	1	PIN FASTENER LOCK - PRO - REAR PRESSURE DOOR
22	76049	N276049	1	HOOK BOLT - PRO - FRONT PRESSURE DOOR TENSION
23	16931P	J16931	1	PIN - SPRING LOCK PIN
24	07190P	03M7190	4	BOLT - M10 X 20 ROUND HEAD - SQR NECK
25	07191P	03M7191	6	BOLT - M10 X 25 ROUND HEAD - SQR NECK
26	07192P	03M7192	6	BOLT - M10 X 30 ROUND HEAD - SQR NECK
27.1	CTX79558FIN	<-----OEM	6	Single Pik - CTX ExtenDoor - JD - PRESSURE PLATE - WELDED STEEL SCRAPPING FINS - PRO 16 20S : FRONT (9976-CP690) & REAR (7760&CP690) - REPLACES OEM #AN274593 & AN279558
27.2	CTX79558FINR	<-----OEM	6	Single Pik - CTX ExtenDoor - JD - PRESSURE PLATE - WELDED STEEL SCRAPPING FINS - PRO 16 20S : REAR (9976-9996) REPLACES OEM #AN274593