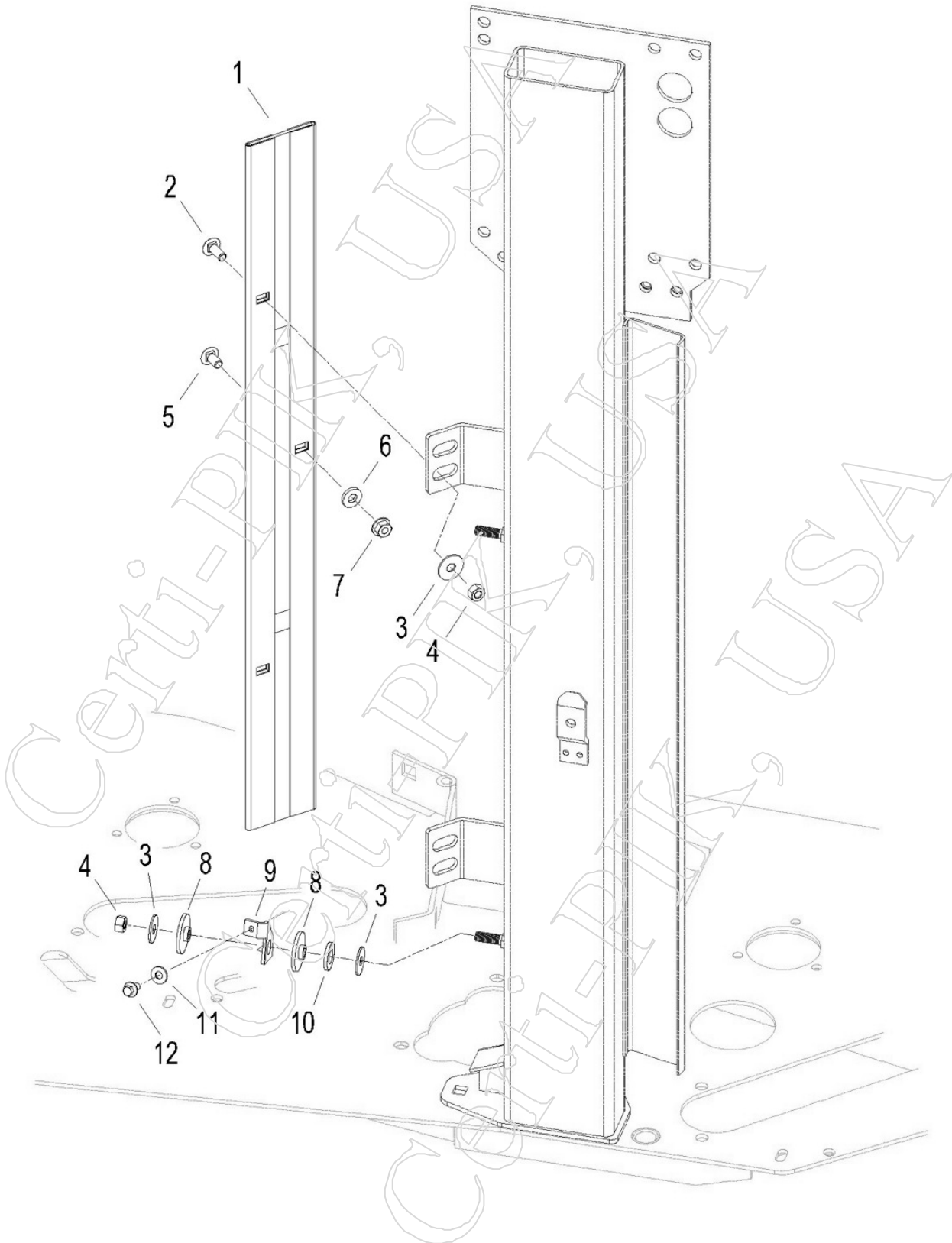


# John Deere 9935, 9965-CP690 Doffer Plug Sensor



**John Deere 9935, 9965-CP690 Doffer Plug Sensor**

20-16

<b>Item</b>	<b>Part</b>	<b>OEMPart</b>	<b>Qty</b>	<b>Desc</b>
1.1	72510	AN272510	1	FLAP - DOFFER PLUG SENSOR (18-SPINDLE)
1.2	73420	AN273420	1	FLAP - DOFFER PLUG SENSOR (20-SPINDLE) (ILL.)
2	07184P	03M7184	1	BOLT - M8 X 20 ROUND HEAD - SHORT SQR NECK
3	47298P	24H7298	1	WASHER - 1.0 X .343 X .06"
4	64256P	E64256P	1	NUT - M8 - TOP LOCK
5	07183P	03M7183	1	BOLT - M8 X 16 ROUND HEAD - SQR NECK
6	01292P	24H1292	1	WASHER - .75 X .343 X .12"
7	63525P	E63525	1	NUT - M8 - SERR HEX FLANGE
8	77510	N377510	1	WASHER - NON-METALIC - SHOULDER
9	73085	N273085	1	ELECTRICAL CONNECTOR TERMINAL
10	01625P	24H1625	1	WASHER - 17/32 X 1 X .120
11	01287P	24H1287	1	WASHER - 9/32 X 5/8 X .065"
12	07089P	37M7089	1	SCREW - M6 X 12 - SMOOTH HEX FLANGE - THREAD CUTTING