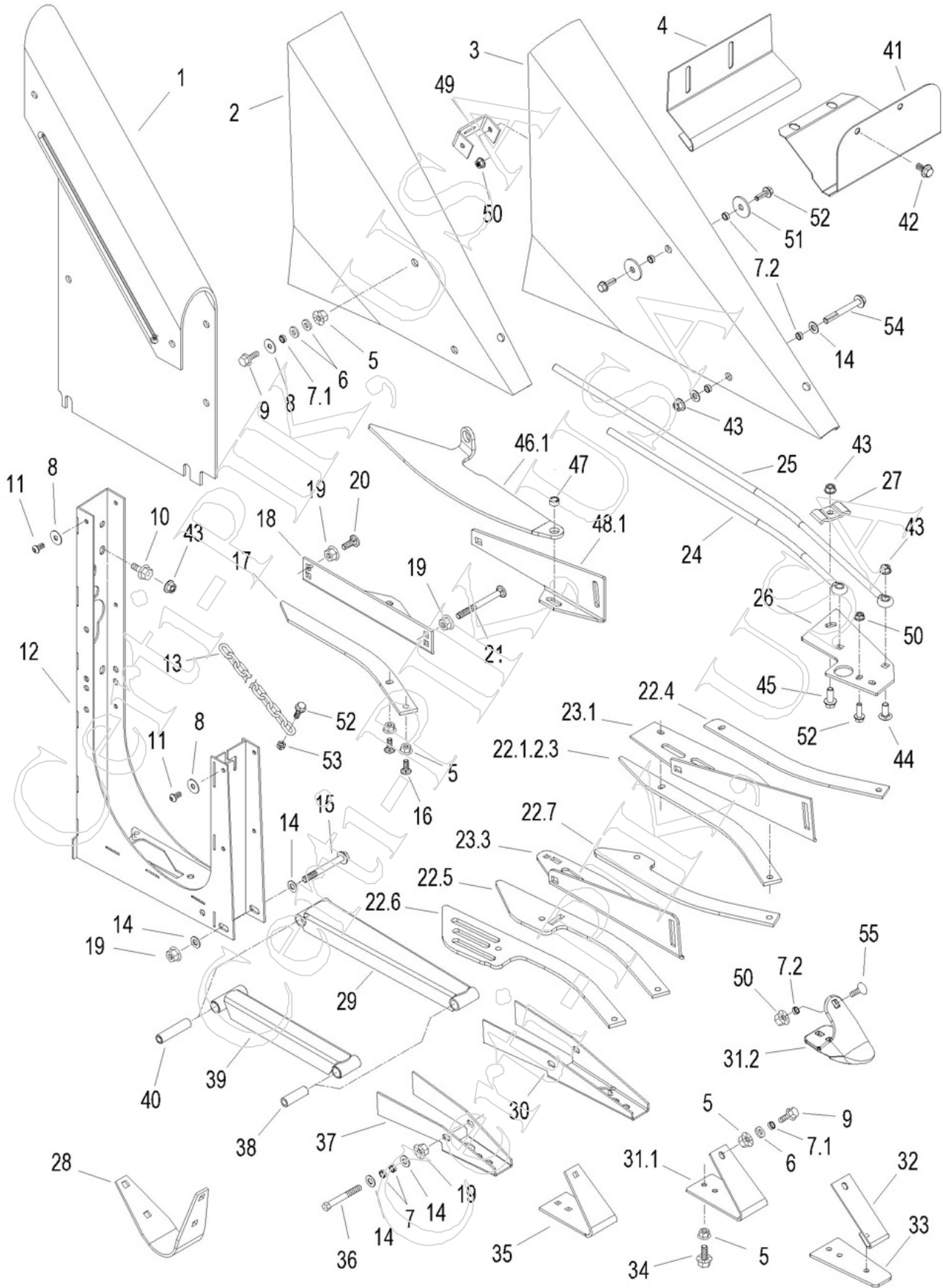
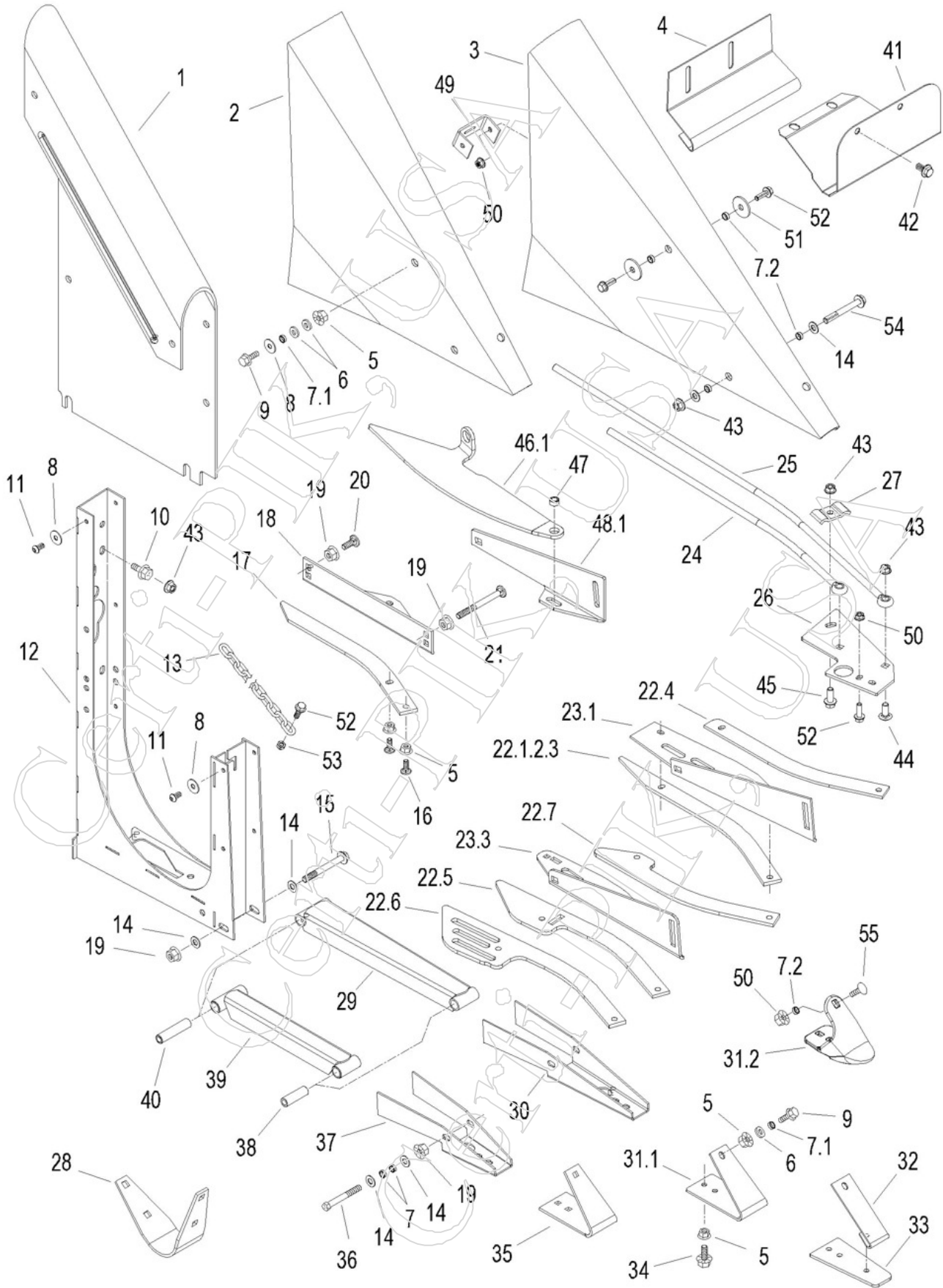


John Deere Stalk Lifter



| Item | Part | OEMPart | Qty | Desc |
|-------------|-------------|----------------|------------|---|
| KIT | 72534 | BN272534 | 1 | STALK LIFTER BUNDLE - (IN-LINE & PRO THRU CP690) INCLUDES: 2x 78882,2x 17561,1x 92708,1x 92709,1x 92710,1x 92711,4x 63525P,4x 08063P, 6x 63526P, 2x 75625P, 4x 07192P |
| 1.1 | 17307 | KK17307 | 1 | SHIELD - 9935, 9960-CP690, YELLOW PLASTIC R.H. (ILL.) |
| 1.2 | 17309 | KK17309 | 1 | SHIELD - 9935, 9960-CP690, YELLOW PLASTIC L.H. |
| 2 | 17311 | KK17311 | 1 | SHIELD - 9960, YELLOW PLASTIC |
| 3 | 17308 | KK17308 | 1 | SHIELD - 9935, 9965-CP690, YELLOW PLASTIC |
| 4 | 73573 | N273573 | 1 | GUIDE - PLANT, (9935, 9960, 9965 IN-LINE) |
| 5 | 10213P | N10213 | AR | NUT - 5/16 - SERR HEX FLANGE |
| 6 | 01292P | 24H1292 | AR | WASHER - .75 X .343 X .12" |
| 7.1 | 81931 | T81931 | 1 | WASHER - SPACER - STALK LIFTER |
| 7.2 | 71361 | N371361 | 1 | WASHER - SPACER - STALK LIFTER |
| 8 | 47298P | 24M7298 | AR | WASHER - 1.0 X .343 X .06" |
| 9 | 12200P | N112200 | 1 | SCREW - 5/16 X 1" SERR HEX FLANGE |
| 10 | 88188P | H88188 | AR | SCREW - 3/8 X 1" - SER HEX FLANGE - THREAD CUTTING |
| 11 | 76152P | N276152 | AR | SCREW - M8 X 16mm - TORX DRIVE T40 - THREAD FORMING |
| 12.1 | 72159 | AN372159 | 1 | FRAME - 9935, 9960-CP690, STALK LIFTER R.H. (ILL) |
| 12.2 | 72158 | AN372158 | 1 | FRAME - 9935, 9960-CP690, STALK LIFTER L.H. |
| 13 | 20137 | AN120137 | 1 | LINK CHAIN - STALK LIFTER (9900-7760) |
| 14 | 01305P | 24H1305 | 1 | WASHER - .406 X .810 X .060" |
| 15.1 | 01912P | 19H1912 | 1 | BOLT - 3/8 X 3-1/2" HEX HEAD - GRADE 5 |
| 15.2 | 07811P | 19M7811 | 1 | BOLT - M10 X 90 - SMOOTH HEX FLANGE |
| 16 | 01540P | 03H1540 | 2 | BOLT - 5/16 X 3/4" CARRIAGE |
| 17 | 97971 | N197971 | 1 | GUIDE - STALK GUIDE (9960 IN-LINE) |
| 18 | 98064 | N198064 | 1 | ANGLE - STALK GUIDE (9960 IN-LINE) |
| 19 | 10215P | N10215 | 1 | NUT - 3/8 - SERR HEX FLANGE |
| 20 | 01519P | 03H1519 | 1 | BOLT - 3/8 X 1" GRADE 5 CARRIAGE |
| 21 | 01837P | 03H1837 | 1 | BOLT - 3/8 X 4" GD 5 CARRIAGE, UNITS W/ HEIGHT SENSING |
| 22.1 | 73162 | N273162 | 1 | STALK GUIDE - 9965 ONLY - 3/16" THICK (ILL) |
| 22.2 | 76060 | N276060 | 1 | GUIDE - JD R.H. PRO STALK GUIDE - WILL FIT ON ALL PRO (9970-9996) MACHINES R.H. SIDE, AND L.H. SIDE: WHEN USING DOORS #74593 & #74587 |
| 22.3 | 76060-XL | 76060-XL | 1 | GUIDE - JD R.H. PRO STALK GUIDE - EXTRA LENGTH - WILL FIT ON ALL PRO (9970-9996) MACHINES R.H. SIDE, AND L.H. SIDE: WHEN USING DOORS #74593 & #74587 - 1/4" THICK (ILL) |
| 22.4 | 73719 | N373719 | 1 | PLATE - JD L.H. PRO (9970-9996) STALK GUIDE - USE WITH DEEP DISH DOORS: #79557, 79558, & CTX DOORS |
| 22.5 | 79098 | N379098 | 1 | GUIDE - STALK - R.H. (ILL.) 7760-CP690 - EXTRA THICK - (WHEN USED WITH #79096: ANGLE WILL FIT MODELS 9935, 9965-CP690) |
| 22.6 | 79098-XL | 79098-XL | 1 | GUIDE - R.H. PRO STALK GUIDE - EXTRA LENGTH - BOWL SAVER DESIGN - EXTRA THICK (1/4") - (WHEN USED WITH #79096: ANGLE WILL FIT MODELS 9935, 9965-CP690) |
| 22.7 | 79099 | N379099 | 1 | GUIDE - STALK - L.H. 7760-CP690 - EXTRA THICK - (WHEN USED WITH #79097: ANGLE WILL FIT MODELS 9935, 9965-CP690) |
| 23.1 | 72930 | N372930 | 1 | STALK LIFTER ANGLE - R.H. (ILL.) (9935, 9965, 9970-7760) |
| 23.2 | 72931 | N372931 | 1 | STALK LIFTER ANGLE - L.H. (9935, 9965, 9970-9996) |
| 23.3 | 79096 | N379096 | 1 | ANGLE - STALK GUIDE - R.H. (ILL.) 7760-CP690 - (WHEN USED WITH #79098: GUIDE WILL FIT MODELS 9935, 9965-CP690) |
| 23.4 | 79097 | N379097 | 1 | ANGLE - STALK GUIDE - L.H. 7760-CP690 - (WHEN USED WITH #79099: GUIDE WILL FIT MODELS 9935, 9965-CP690) |
| 24.1 | 92710 | N192710 | 1 | GUIDE - OUTER R.H. (SHORT) - (9920-CP690) |

John Deere Stalk Lifter



| Item | Part | OEMPart | Qty | Desc |
|-------------|-------------|----------------|------------|---|
| 24.2 | 92711 | N192711 | 1 | GUIDE - OUTER L.H. (SHORT) - (9920-CP690) |
| 25.1 | 92708 | N192708 | 1 | GUIDE - INNER R.H. (LONG) - (9920-CP690) |
| 25.2 | 92709 | N192709 | 1 | GUIDE - INNER L.H. (LONG) - (9920-CP690) |
| 26 | 78882 | N378882 | 1 | PLATE - STALK LIFTER, (9935-CP690 IN-LINE & PRO)) |
| 27 | 17561 | KK17561 | 1 | CLAMP - STALK GUIDES, (9920-CP690) |
| 28.1 | 91622 | N191622 | 1 | SHOE - HEIGHT SENSING, STEEL, (9910-9986 SER:18000) - (WEAR RESISTANT AND HEAT TREATED) |
| 28.2 | 77420 | N377420 | 1 | SHOE - HEIGHT SENSING (9986 SER:18001 - CP690) - (WEAR RESISTANT AND HEAT TREATED) |
| 29 | 75226 | AN275226 | 1 | ARM - STALK LIFTER (9935, 9965-7760) |
| 30 | 99886 | N199886 | 1 | SHOE - STALK LIFTER, 9935, 9965-CP690 |
| 31.1 | 74920 | N274920 | 1 | POINT - GATHERER (9935, 9965-7760) |
| 31.2 | 75594 | N375594 | 1 | SHOE - STALK LIFTER PRO - CAST - 9935, 9965-CP690 (REPLACES #74920) |
| 32 | 72851 | N272851 | 1 | POINT - GATHERER, (9935, 9965 IN-LINE) |
| 33 | 72852 | N272852 | 1 | PLATE - GATHERER, (9935, 9965 IN-LINE) |
| 34 | 10212P | N10212 | 1 | BOLT - 5/16 X 3/4" - SERR HEX FLANGE |
| 35 | 97064 | N197064 | 1 | POINT - GATHERER (9960) |
| 36 | 02128P | 19H2128 | 1 | BOLT - 3/8 X 3" HEX HEAD - GRADE 5 |
| 37 | 96204 | N196204 | 1 | SHOE - STALK LIFTER (9960) |
| 38.1 | 48105 | M48105 | 1 | BUSHING - LIFTER ARM - FRONT (9935-9965 IN-LINE) |
| 38.2 | 44705 | A44705 | 1 | BUSHING - FRONT, STALK LIFTER ARM (9970-CP690) |
| 39 | 93395 | AN193395 | 1 | ARM - 9960, STALK LIFTER |
| 40 | 99289 | N199289 | 1 | SPACER - LIFTER ARM - REAR (9935-CP690 IN-LINE & PRO) |
| 41 | 75407 | N275407 | 1 | GUIDE - PLANT - PRO MACHINES |
| 42 | 07784P | 19M7784 | 1 | BOLT - M10 X 20 - SMOOTH HEX FLANGE - GD 10.9 |
| 43 | 63526P | E63526 | 1 | NUT - M10 - SERR HEX FLANGE |
| 44 | 07192P | 03M7192 | 2 | BOLT - M10 X 30 ROUND HEAD - SQR NECK |
| 45 | 75625P | N275625 | 1 | BOLT - M10 X 25 - SERR HEX FLANGE |
| 46.1 | 74993 | N374993 | 1 | PLATE - L.H. ROW GUIDE |
| 46.2 | 74994 | N374994 | 1 | PLATE - R.H. ROW GUIDE |
| 47 | 15254 | N15254 | 1 | WASHER - ROW GUIDE PIVOT BUSHING |
| 48.1 | 73028 | N373028 | 1 | PLATE - L.H. PIVOT |
| 48.2 | 73029 | N373029 | 1 | PLATE - R.H. PIVOT |
| 49 | 73580 | N273580 | 1 | BRACKET - STALK LIFTER CHAIN |
| 50 | 63525P | E63525 | 1 | NUT - M8 - SERR HEX FLANGE |
| 51 | 01730P | 24H1730 | 1 | WASHER - .410 X 1.5 X .120" |
| 52 | 08063P | 19M8063 | 1 | BOLT - M8 X 25 - SERR HEX FLANGE |
| 53 | 07426P | 14M7426 | 1 | NUT - M8-1.25 - NYLON LOCK |
| 54 | 07810P | 19M7810 | 1 | BOLT - M10 X 80 - SMOOTH HEX FLANGE |
| 55 | 07186P | 03M7186 | 1 | BOLT - M8 X 30 ROUND HEAD - SQR NECK |