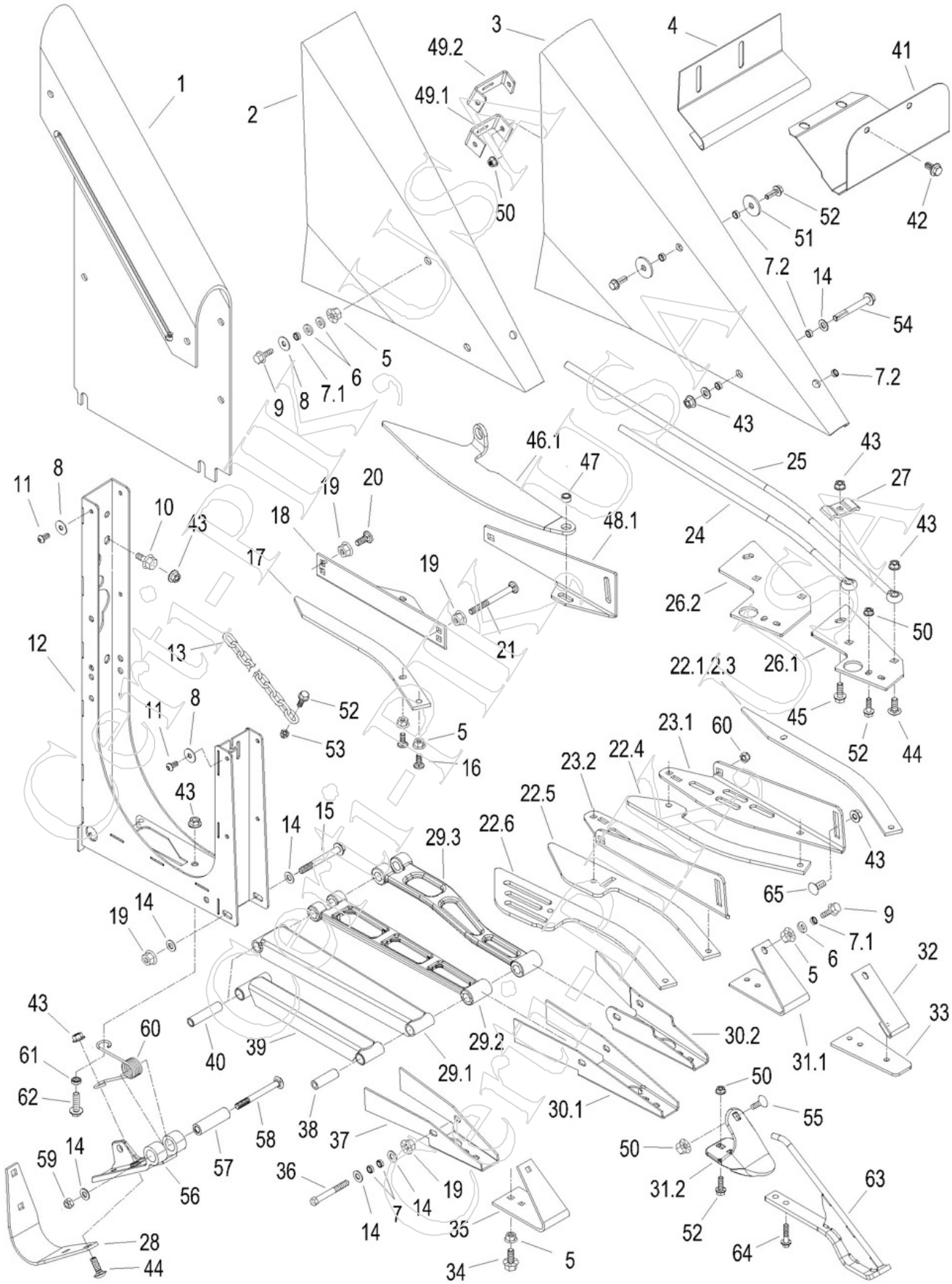
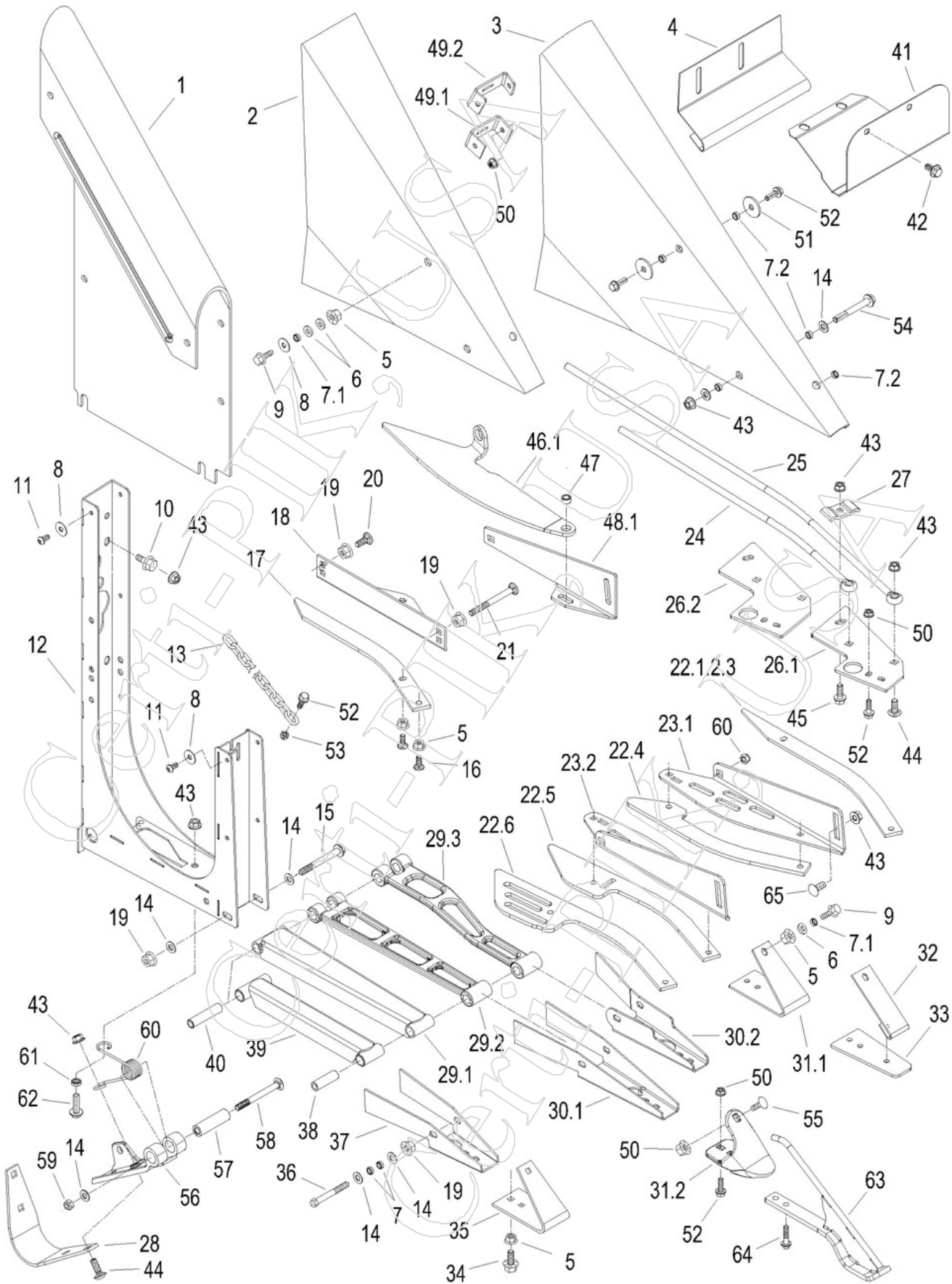


John Deere Stalk Lifter



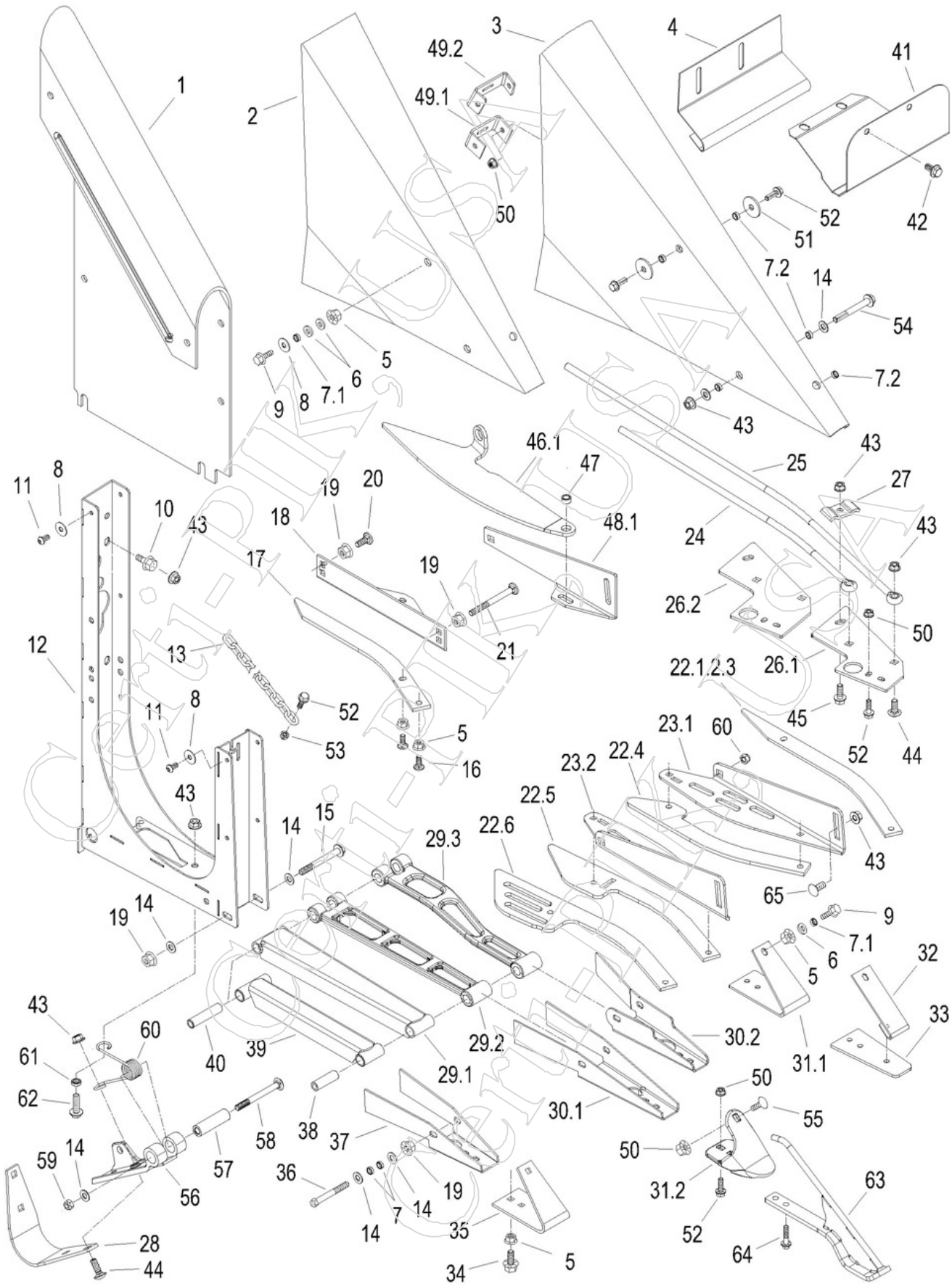
<u>Item</u>	<u>Part</u>	<u>OEMPart</u>	<u>Qty</u>	<u>Desc</u>
KIT	72534	BN272534	1	STALK LIFTER BUNDLE - (IN-LINE & PRO THRU CP690) INCLUDES: 2x 78882,2x 17561,1x 92708,1x 92709,1x 92710,1x 92711,4x 63525P,4x 08063P, 6x 63526P, 2x 75625P, 4x 07192P (1 KIT PER ROW)
1.1	17307	KK17307	1	SHIELD - 9935, 9960-CP690, YELLOW PLASTIC R.H. (ILL.)
1.2	17309	KK17309	1	SHIELD - 9935, 9960-CP690, YELLOW PLASTIC L.H.
1.3	46900	KK46900	1	SHIELD - R.H. UPPER CROP DIVIDER - YELLOW (CP770)
1.4	46901	KK46901	1	SHIELD - L.H. UPPER CROP DIVIDER - YELLOW (CP770)
2	17311	KK17311	1	SHIELD - 9960, YELLOW PLASTIC
3.1	17308	KK17308	1	SHIELD - 9935, 9965-CP690, YELLOW PLASTIC
3.2	69288	KK69288	1	SHIELD - R.H. LOWER CROP DIVIDER - YELLOW (CP770)
3.3	69287	KK69287	1	SHIELD - L.H. LOWER CROP DIVIDER - YELLOW (CP770)
4	73573	N273573	1	GUIDE - PLANT, (9935, 9960, 9965 IN-LINE)
5	10213P	N10213	AR	NUT - 5/16 - SERR HEX FLANGE
6	01292P	24H1292	AR	WASHER - .75 X .343 X .12"
7.1	81931	T81931	1	WASHER - SPACER - STALK LIFTER
7.2	71361	N371361	1	WASHER - SPACER - STALK LIFTER
8	47298P	24M7298	AR	WASHER - 1.0 X .343 X .06"
9	12200P	N112200	1	SCREW - 5/16 X 1" SERR HEX FLANGE
10	88188P	H88188	AR	SCREW - 3/8 X 1" - SER HEX FLANGE - THREAD CUTTING
11	76152P	N276152	AR	SCREW - M8 X 16mm - TORX DRIVE T40 - THREAD FORMING
12.1	46327	AKK46327	1	FRAME - 9935, 9960-CP770, STALK LIFTER R.H. (ILL) REPLACES: #AN279772 & AN372159
12.2	46326	AKK46326	1	FRAME - 9935, 9960-CP770, STALK LIFTER L.H. REPLACES: #AN279771 & AN372158
13	20137	AN120137	1	LINK CHAIN - STALK LIFTER (9900-CP770)
14	01305P	24H1305	1	WASHER - .406 X .810 X .060"
15.1	01912P	19H1912	1	BOLT - 3/8 X 3-1/2" HEX HEAD - GRADE 5
15.2	07811P	19M7811	1	BOLT - M10 X 90 - SMOOTH HEX FLANGE
16	01540P	03H1540	2	BOLT - 5/16 X 3/4" CARRIAGE
17	97971	N197971	1	GUIDE - STALK GUIDE (9960 IN-LINE)
18	98064	N198064	1	ANGLE - STALK GUIDE (9960 IN-LINE)
19	10215P	N10215	1	NUT - 3/8 - SERR HEX FLANGE
20	01519P	03H1519	1	BOLT - 3/8 X 1" GRADE 5 CARRIAGE
21	01837P	03H1837	1	BOLT - 3/8 X 4" GD 5 CARRIAGE, UNITS W/ HEIGHT SENSING
22.1	73162	N273162	1	STALK GUIDE - 9965 ONLY - 3/16" THICK (ILL)
22.2	76060	N276060	1	GUIDE - OLD STYLE - JD R.H. PRO STALK GUIDE - USED WITH OLD ANGLE # N372930 (9970-9996) (CALL FOR AVAILABILITY)
22.3	76060-XL	76060-XL	1	GUIDE - EXTRA LONG - 1/4" THICK - OLD STYLE - JD R.H. PRO STALK GUIDE - USED WITH OLD ANGLE # N372930 (9970-9996) (CALL FOR AVAILABILITY)
22.4	79099	N379099	1	GUIDE - STALK - L.H. - EXTRA THICK - (WILL FIT MODELS 9935, 9965-CP770) (REAR BOLT ATTACHES IN SLOT IF USING OLD ANGLE # N372931) REPLACES #N373719
22.5	79098	N379098	1	GUIDE - STALK - R.H. - EXTRA THICK - (WILL FIT MODELS 9935, 9965-CP770) (REAR BOLT ATTACHES IN SLOT IF USING OLD ANGLE #N372930) REPLACES #N276060
22.6	79098-XL	79098-XL	1	GUIDE - R.H. PRO STALK GUIDE - EXTRA LENGTH - BOLL SAVER DESIGN - EXTRA THICK (1/4") - (WILL FIT PRO 16 MODELS 9976-CP770) (REAR BOLT ATTACHES IN SLOT IF USING OLD ANGLE #N372930) REPLACES #76060-XL
23.1	79097	N379097	1	ANGLE - STALK GUIDE - L.H. (WILL FIT MODELS 9935, 9965-CP770) (REPLACES # N379097 & N372931)
23.2	79096	N379096	1	ANGLE - STALK GUIDE - R.H. (WILL FIT MODELS 9935, 9965-CP770) (REPLACES # N379096 & N372930)

John Deere Stalk Lifter



<u>Item</u>	<u>Part</u>	<u>OEMPart</u>	<u>Qty</u>	<u>Desc</u>
24.1	92710	N192710	1	GUIDE - OUTER R.H. (SHORT) - (9920-CP770)
24.2	92711	N192711	1	GUIDE - OUTER L.H. (SHORT) - (9920-CP770)
25.1	92708	N192708	1	GUIDE - INNER R.H. (LONG) - (9920-CP770)
25.2	92709	N192709	1	GUIDE - INNER L.H. (LONG) - (9920-CP770)
26.1	78882	N378882	1	PLATE - STALK LIFTER, (9935-CP690 IN-LINE & PRO))
26.2	39149	KK39149	1	PLATE - STALK LIFTER (WIDER) CP770
27	17561	KK17561	1	CLAMP - STALK GUIDES, (9920-CP770), REPLACES #N103767
28.1	91622	N191622	1	SHOE - HEIGHT SENSING, STEEL, (9910-9986 SER:18000) - (WEAR RESISTANT AND HEAT TREATED)
28.2	77420	N377420	1	SHOE - HEIGHT SENSING (9986 SER:18001 - CP770) - (WEAR RESISTANT AND HEAT TREATED)
29.1	75226	AN275226	1	ARM - STALK LIFTER (9935, 9965-7760) (SUBS TO #N376014)
29.2	76014	N376014	1	ARM - STALK LIFTER SUPPORT - CAST IRON - WEBBED DESIGN (REPLACES #AN275226)
29.3	51194	KK51194	1	ARM - STALK LIFTER SUPPORT (CP770) - OFFSET CAST IRON - WEBBED DESIGN
30.1	99886	N199886	1	SHOE - STALK LIFTER, 9935, 9965-CP690
30.2	93615	KK93615	1	SHOE - R.H. - STALK LIFTER - CP770 (ILL)
30.3	93616	KK93616	1	SHOE - L.H. - STALK LIFTER - CP770
31.1	74920	N274920	1	POINT - GATHERER (9935, 9965-7760) (SUBS TO #N375594)
31.2	75594	N375594	1	SHOE - STALK LIFTER PRO - CAST - 9935, 9965-CP770 (REPLACES #N274920, #N272851, & #N272852)
32	72851	N272851	1	POINT - GATHERER, (9935, 9965 IN-LINE)
33	72852	N272852	1	PLATE - GATHERER, (9935, 9965 IN-LINE)
34	10212P	N10212	1	BOLT - 5/16 X 3/4" - SERR HEX FLANGE
35	97064	N197064	1	POINT - GATHERER (9960)
36	02128P	19H2128	1	BOLT - 3/8 X 3" HEX HEAD - GRADE 5
37	96204	N196204	1	SHOE - STALK LIFTER (9960)
38.1	48105	M48105	1	BUSHING - LIFTER ARM - FRONT (9935-9965 IN-LINE)
38.2	44705	A44705	1	BUSHING - FRONT, STALK LIFTER ARM (9970-CP770)
39	93395	AN193395	1	ARM - 9960, STALK LIFTER
40	99289	N199289	1	SPACER - LIFTER ARM - REAR (9935-CP770 IN-LINE & PRO)
41	75407	N275407	1	GUIDE - PLANT - PRO MACHINES
42	07784P	19M7784	1	BOLT - M10 X 20 - SMOOTH HEX FLANGE - GD 10.9
43	63526P	E63526	1	NUT - M10 - SERR HEX FLANGE
44	07192P	03M7192	2	BOLT - M10 X 30 ROUND HEAD - SQR NECK
45	75625P	N275625	1	BOLT - M10 X 25 - SERR HEX FLANGE
46.1	74993	N374993	1	PLATE - L.H. ROW GUIDE
46.2	74994	N374994	1	PLATE - R.H. ROW GUIDE
47	15254	N15254	1	WASHER - ROW GUIDE PIVOT BUSHING
48.1	73028	N373028	1	PLATE - L.H. PIVOT
48.2	73029	N373029	1	PLATE - R.H. PIVOT
49.1	73580	N273580	1	BRACKET - STALK LIFTER CHAIN
49.2	69289	KK69289	1	BRACKET - STALK LIFTER - CP770
50	63525P	E63525	1	NUT - M8 - SERR HEX FLANGE
51	01730P	24H1730	1	WASHER - .410 X 1.5 X .120"
52	08063P	19M8063	1	BOLT - M8 X 25 - SERR HEX FLANGE
53	07426P	14M7426	1	NUT - M8-1.25 - NYLON LOCK
54	07810P	19M7810	1	BOLT - M10 X 80 - SMOOTH HEX FLANGE

John Deere Stalk Lifter



John Deere Stalk Lifter

20-12

<u>Item</u>	<u>Part</u>	<u>OEMPart</u>	<u>Qty</u>	<u>Desc</u>
55	07186P	03M7186	1	BOLT - M8 X 30 ROUND HEAD - SQR NECK
56	74600	N374600	1	SHOE - HEIGHT SENSING SHOE SUPPORT - PRO
57	71364	N371364	1	BUSHING - PRO HEIGHT SENSING SHOE SUPPORT
58	07225P	03M7225	1	M10 X 100 - ROUND HEAD BOLT - SQR NECK
59	82222P	M82222	1	M10 X 1.5 TOP LOCK NUT
60	71360	N371360	1	SPRING - TORSION - HEIGHT SENSING SHOE
61	74820	N374820	1	WASHER - HEIGHT SENSING SHOE SPRING ANCOR
62	07835P	19M7835	1	BOLT - M10 X 35 - SMOOTH HEX FLANGE - PRO BEARING RETAINER
63	GB75594	<-----OEM	1	STALK LIFTER EXTENSION - LOW PLANT EXTENDED REACH
64	08064P	19M8064	1	BOLT - M8 X 35 - SERR HEX FLANGE
65	07191P	03M7191	1	BOLT - M10 X 25 ROUND HEAD - SQR NECK