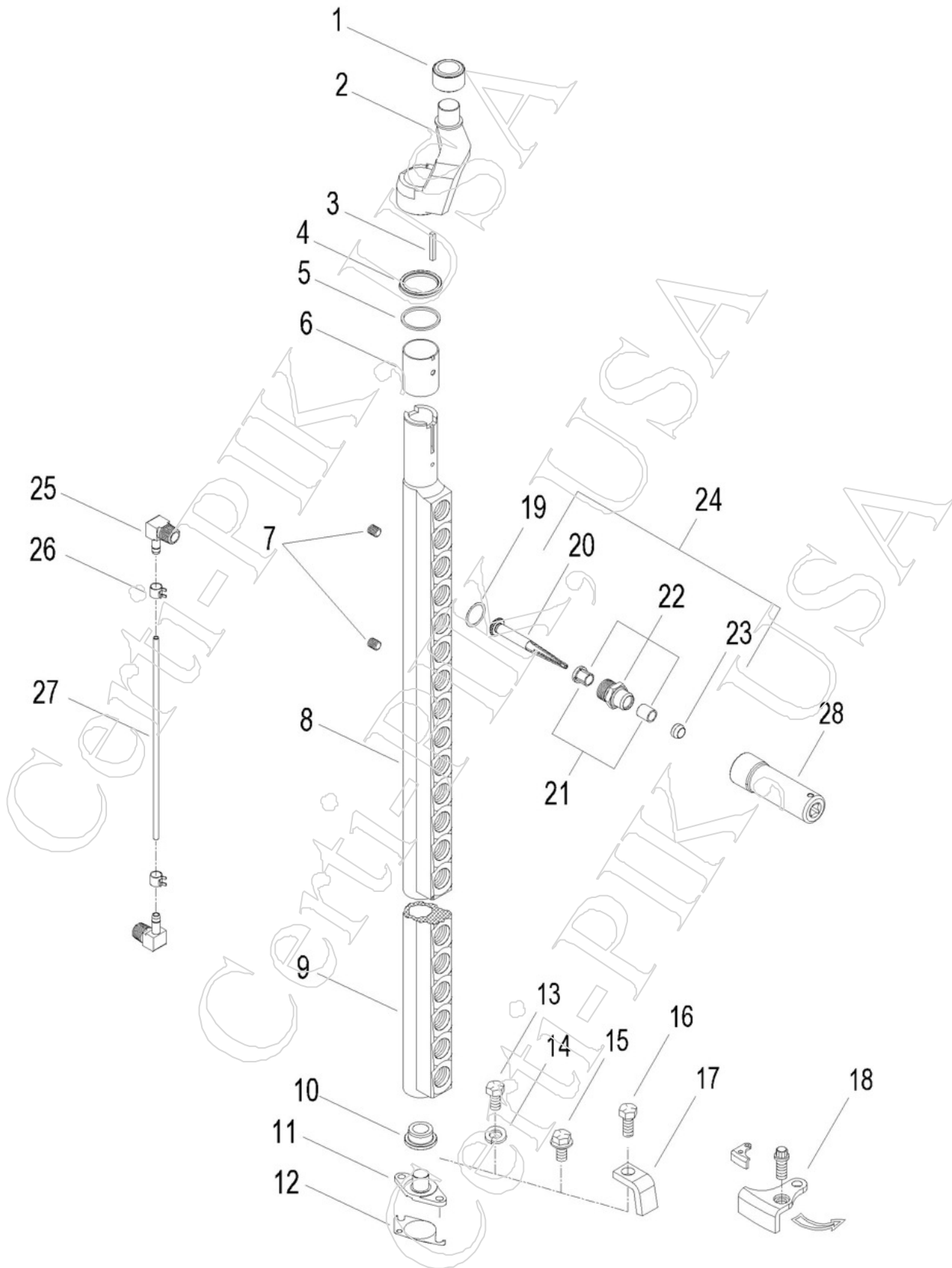


## John Deere 9900-9920, 9940 Picker Bar and Spindle Assembly



# John Deere 9900-9920, 9940 Picker Bar and Spindle Assembly

30-1

Item	Part	OEMPart	Qty	Desc
1	93500PRM	N193500	1	CAM ROLLER
2.1	14682R	N114682	NA	ARM - R.H. CAM FOLLOWER
2.2	14683L	N114683	NA	ARM - L.H. CAM FOLLOWER (ILL.)
3	64373	H64373	1	SQUARE KEY
4	19589P	N119589	1	SEAL - UPPER CUP (NOT USED ON PRO BARS)
5.1	19581P	N119581	1	SEAL - LOWER SQUARE (NOT USED ON PRO BARS)
5.2	19854P	T19854	1	O-RING SEAL - (9900-CP770) (2 USED ON PRO BARS)
6.1	17859P	N117859	1	SLEEVE - SHORT SPLIT SERVICE SLEEVE
6.2	17000	<-----OEM	1	SLEEVE - SHORT UN-SPLIT SERVICE SLEEVE
7	00558P	15H558	AR	PLUG - 1/8 PIPE PLUG
8.1	90786R	AN190786	1	BAR - 14 SPINDLE R.H.
8.2	90787L	AN190787	1	BAR - 14 SPINDLE L.H.
9.1	92756RPRM	AN192756	1	BAR - 20 SPINDLE R.H.
9.2	92755LPRM	AN192755	1	BAR - 20 SPINDLE L.H.
10	74832P	N374832	1	JD BAR BUSHING ( NEW STYLE SHORTER )
11	12291P	N112291	1	BAR STOOL PIVOT (9900-CP770)
12.1	93694P	N193694	1	SHIM - .003" BAR STOOL SHIM
12.2	90952P	N190952	1	SHIM - .005" BAR STOOL SHIM
12.3	90953P	N190953	1	SHIM - .010" BAR STOOL SHIM
13	01813P	19H1813	1	BOLT - 5/16 X 5/8" HEX HEAD GD5
14	07065P	12M7065	1	WASHER - 8mm LOCK (REPLACES 5/16")
15	03695P	19H3695	1	BOLT - 5/16 X 5/8" - SMOOTH HEX FLANGE GD5
16	01900P	19H1900	1	BOLT - 5/16 X 3/4" HEX HEAD (USED W/ #CPE683 DIRT SCRAPER)
17	CPE683	<-----OEM	1	DIRT SCRAPER ( CAN BE ATTACHED POINTING UP OR DOWN )
18.1	CPE684CCW	<-----OEM	1	DIRT SCRAPER - CCW ROTATION, IN-LINE, INCLUDES 1x ATTACHING SCREW # CPE686P (ILL.)
18.2	CPE685CW	<-----OEM	1	DIRT SCRAPER - CW ROTATION
19.1	02889P	L2889N	AR	SHIM - .005" SPINDLE NUT SHIM
19.2	10223P	N110223	AR	SHIM - .010" SPINDLE NUT - (REPLACES CASE/IH #674980R2)
20	28390RP	KK28390	AR	SPINDLE - PRO-XL PICKER SPINDLE RIGHT HAND - REPLACES #N277078 & N190332R
21.1	13307P	N113307	AR	BUSHING - SPIN. BUSH. FLANGED (9900-CP690)
21.2	12394P	N112394	AR	BUSHING - SPIN. BUSH. STRAIGHT
22	11948R	AN111948	AR	ASSEMBLY - R.H. SPINDLE NUT WITH PRESSED BUSHINGS
23	79986	N279986	AR	DUST CAP - SPINDLE (9900-CP690)
24	18840	AKK18840	AR	JD - PRO R.H. SPINDLE ASSEMBLY - REPLACES #AN274216
25	15724P	N115724	1	UNION FITTING - 90 DEG LUBE LINE ELBOW
26.1	17044P	N117044	1	HOSE CLAMP - (HOSE OD .280)
26.2	17044FP	<-----OEM	1	HOSE CLAMP - 3/8" LONG FLARED ENDS (HOSE OD .280)
27.1	74964-01	N274964	1	HOSE - PICKER BAR LUBE (1000 FT)
27.2	74964-02	N274964	1	HOSE - PICKER BAR LUBE (100 FT MIN. RANDOM CUT)
28.1	75063-1/2	N275063	1	PICKER SPINDLE 1-1/8" IMPACT SOCKET 1/2" DRIVE, HARDENED, REDUCED WEIGHT, LINED WITH PLASTIC TO PROTECT BARBS
28.2	75063-3/8	N275063	1	PICKER SPINDLE 1-1/8" IMPACT SOCKET 3/8" DRIVE, HARDENED, REDUCED WEIGHT, LINED WITH PLASTIC TO PROTECT BARBS