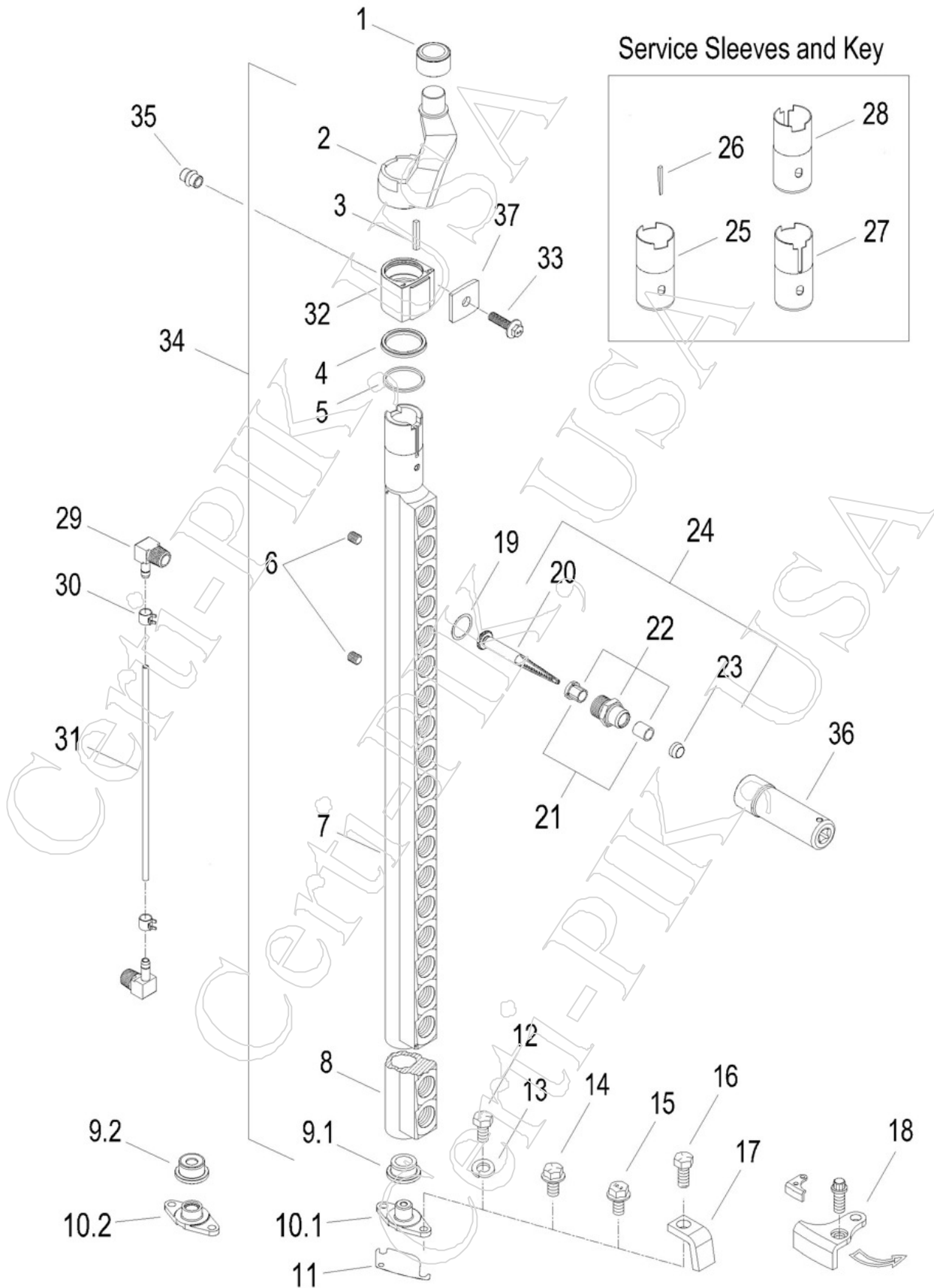


John Deere 9930-9935, 9950-CP770 Picker Bar and Spindle Assembly

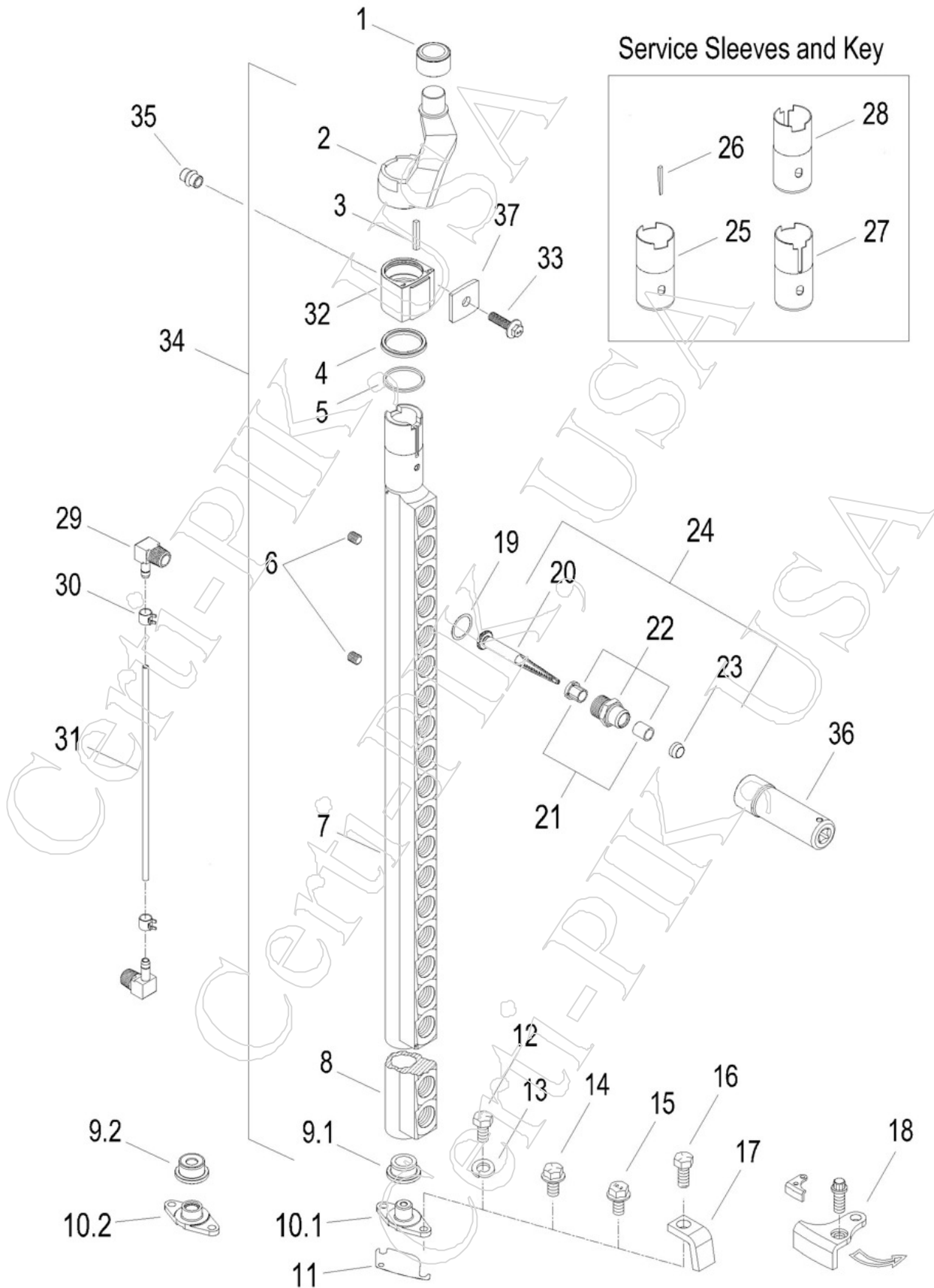


John Deere 9930-9935, 9950-CP770 Picker Bar and Spindle Assembly

30-2

| Item | Part | OEMPart | Qty | Desc |
|------|-----------|-----------|-----|--|
| 1 | 93500PRM | N193500 | 1 | CAM ROLLER |
| 2.1 | 98724R | N198724 | 1 | ARM - R.H. CAM FOLLOWER ARM (9930,9950-CP770) |
| 2.2 | 98725L | N198725 | NA | ARM - L.H. CAM FOLLOWER ARM, CONV. UNITS ONLY (ILL.) |
| 3 | 64373 | H64373 | 1 | SQUARE KEY |
| 4 | 19589P | N119589 | 1 | SEAL - UPPER CUP (NOT USED ON PRO BARS) |
| 5.1 | 19581P | N119581 | 1 | SEAL - LOWER SQUARE (NOT USED ON PRO BARS) |
| 5.2 | 19854P | T19854 | AR | O-RING SEAL - (9900-CP770) (2 USED ON PRO BARS) |
| 6 | 00558P | 15H558 | AR | PLUG - 1/8 PIPE PLUG |
| 7.1 | 93320RPRM | AN193320 | 1 | BAR - 18 SPINDLE R.H. WITH PRESSED ON SLEEVE - NO BOTTOM BUSHING |
| 7.2 | 74501RPRM | AN274501 | 1 | BAR - PRO-12, 18 SPINDLE PRO-12 SERIES WITH SLEEVE - NO BOTTOM BUSHING |
| 8.1 | 73434RPRM | AN273434 | 1 | BAR - PRO-16, 20 SPINDLE PRO-16 SERIES WITH SLEEVE - NO BOTTOM BUSHING |
| 8.2 | 92810RPRM | AN192810 | 1 | BAR - 20 SPINDLE R.H. WITH PRESSED ON SLEEVE - NO BOTTOM BUSHING |
| 8.3 | 92809LPRM | AN192809 | 1 | BAR - 20 SPINDLE L.H. WITH PRESSED ON SLEEVE - NO BOTTOM BUSHING |
| 9.1 | 74832P | N374832 | 1 | LOWER BAR BUSHING (9900-CP770) (USED WITH #12291P PIVOT) |
| 9.2 | 14503 | KK14503 | 1 | LOWER BAR BUSHING (CP770) (USED WITH #78364P PIVOT) |
| 10.1 | 12291P | N112291 | 1 | STUD - LOWER BAR STOOL PIVOT (9900-CP770) (USED WITH #74832P BUSHING) |
| 10.2 | 78364P | KK78364 | 1 | STUD - LOWER BAR STOOL PIVOT (CP770) (USED WITH #14503 BUSHING) |
| 11.1 | 93694P | N193694 | 1 | SHIM - .003" BAR STOOL SHIM |
| 11.2 | 90952P | N190952 | 1 | SHIM - .005" BAR STOOL SHIM |
| 11.3 | 90953P | N190953 | 1 | SHIM - .010" BAR STOOL SHIM |
| 12 | 01813P | 19H1813 | 1 | BOLT - 5/16 X 5/8" HEX HEAD GD5 |
| 13 | 07065P | 12M7065 | 1 | WASHER - 8mm LOCK (REPLACES 5/16") |
| 14 | 03695P | 19H3695 | 1 | BOLT - 5/16 X 5/8" - SMOOTH HEX FLANGE GD5 |
| 15 | 07865P | 19M7865 | 1 | BOLT - M8 X 16 - SMOOTH HEX FLANGE CL10.9 (MAY BE USED IN PLACE OF # 19M8964 CL8.8) |
| 16 | 01900P | 19H1900 | 1 | BOLT - 5/16 X 3/4" HEX HEAD (USED W/ #CPE683 DIRT SCRAPER) |
| 17 | CPE683 | <-----OEM | 1 | DIRT SCRAPER (CAN BE ATTACHED POINTING UP OR DOWN) |
| 18.1 | CPE684CCW | <-----OEM | 1 | DIRT SCRAPER - CCW ROTATION, 9900-9965 CONV, & IN-LINE (NOT PRO), INCLUDES 1x ATTACHING SCREW # CPE686P (ILL.) |
| 18.2 | CPE685CW | <-----OEM | 1 | DIRT SCRAPER - CW ROTATION, 9900-9965 CONV. |
| 18.3 | CPE687CCW | <-----OEM | 1 | PRO - DIRT SCRAPER ON BAR STOOL - CCW ROTATION - 9970-CP770 - REQUIRES 1x CPE688P BOLT EACH ATTACHING HARDWARE (M8 X 20) |
| 19.1 | 02889P | L2889N | AR | SHIM - .005" SPINDLE NUT SHIM |
| 19.2 | 10223P | N110223 | AR | SHIM - .010" SPINDLE NUT - (REPLACES CASE/IH #674980R2) |
| 20 | 28390RP | KK28390 | AR | SPINDLE - PRO-XL PICKER SPINDLE RIGHT HAND - REPLACES #N277078 & N190332R |
| 21.1 | 13307P | N113307 | AR | BUSHING - SPIN. BUSH. FLANGED |
| 21.2 | 12394P | N112394 | AR | BUSHING - SPIN. BUSH. STRAIGHT |
| 22 | 11948R | AN111948 | AR | ASSEMBLY - R.H. SPINDLE NUT WITH PRESSED BUSHINGS |
| 23 | 79986 | N279986 | AR | DUST CAP - SPINDLE (9900-CP690) |
| 24 | 18840 | AKK18840 | AR | JD - PRO R.H. SPINDLE ASSEMBLY - REPLACES #AN274216 |
| 25 | 76373 | N276373 | 1 | SLEEVE - FULL LENGTH SERVICE SLEEVE, REPLACES DEERE N195657, & N279372 |
| 26 | 95970 | N195970 | 1 | KEY - TAPERED SERVICE |
| 27 | 95657K | <-----OEM | 1 | SLEEVE - KEYED SERVICE SLEEVE - CONV. & IN-LINE (NOT PRO) |
| 28 | 76373K | <-----OEM | 1 | SLEEVE - KEYED SERVICE SLEEVE - PRO ONLY |
| 29 | 15724P | N115724 | 1 | UNION FITTING - 90 DEG LUBE LINE ELBOW |
| 30.1 | 17044P | N117044 | 1 | HOSE CLAMP - (HOSE OD .280) |
| 30.2 | 17044FP | <-----OEM | 1 | HOSE CLAMP - 3/8" LONG FLARED ENDS (HOSE OD .280) |

John Deere 9930-9935, 9950-CP770 Picker Bar and Spindle Assembly



John Deere 9930-9935, 9950-CP770 Picker Bar and Spindle Assembly

30-2

| <u>Item</u> | <u>Part</u> | <u>OEMPart</u> | <u>Qty</u> | <u>Desc</u> |
|-------------|-------------|----------------|------------|--|
| 31.1 | 74964-01 | N274964 | 1 | HOSE - PICKER BAR LUBE (1000 FT) |
| 31.2 | 74964-02 | N274964 | 1 | HOSE - PICKER BAR LUBE (100 FT MIN. RANDOM CUT) |
| 32 | 70976 | N370976 | 1 | PRO BEARING - BAR JOURNAL (C-PIK) (9935-CP770) |
| 33 | 07835P | 19M7835 | 1 | BOLT - M10 X 35 - SMOOTH HEX FLANGE - PRO BEARING RETAINER |
| 34.1 | 76734-K | AN276734 | 1 | ** KIT ** 20 SPINDLE (PRO) PICKER BAR (NOT ASSEMBLED) - DOES NOT INCLUDE SHIMS #02889P - INCLUDES PARTS IN DRIVE SHAFT KIT #76737-K, BUSHING #74832P, & ARM #98724-R |
| 34.2 | 74502-K | AN274502 | 1 | ** KIT ** 18 SPINDLE (PRO) PICKER BAR (NOT ASSEMBLED) - DOES NOT INCLUDE SHIMS #02889P - INCLUDES PARTS IN DRIVE SHAFT KIT #76743-K, BUSHING #74832P, & ARM #98724-R |
| 34.3 | 41952-K | AKK41952 | 1 | ** KIT ** 20 SPINDLE (CP770 PRO) PICKER BAR (NOT ASSEMBLED) - DOES NOT INCLUDE SHIMS #02889P - INCLUDES PARTS IN DRIVE SHAFT KIT #45882-K, BUSHING #14503P, & ARM #98724-R |
| 35 | 79871 | N279871 | 1 | BUSHING - INSERT , BAR SEAL - PRO DRUM HEAD |
| 36.1 | 75063-1/2 | N275063 | 1 | PICKER SPINDLE 1-1/8" IMPACT SOCKET 1/2" DRIVE, HARDENED, REDUCED WEIGHT, LINED WITH PLASTIC TO PROTECT BARBS |
| 36.2 | 75063-3/8 | N275063 | 1 | PICKER SPINDLE 1-1/8" IMPACT SOCKET 3/8" DRIVE, HARDENED, REDUCED WEIGHT, LINED WITH PLASTIC TO PROTECT BARBS |
| 37 | 74229 | N74229 | 1 | SPRING WASHER - PRO DRUM HEAD BAR JOURNAL RETAINER |