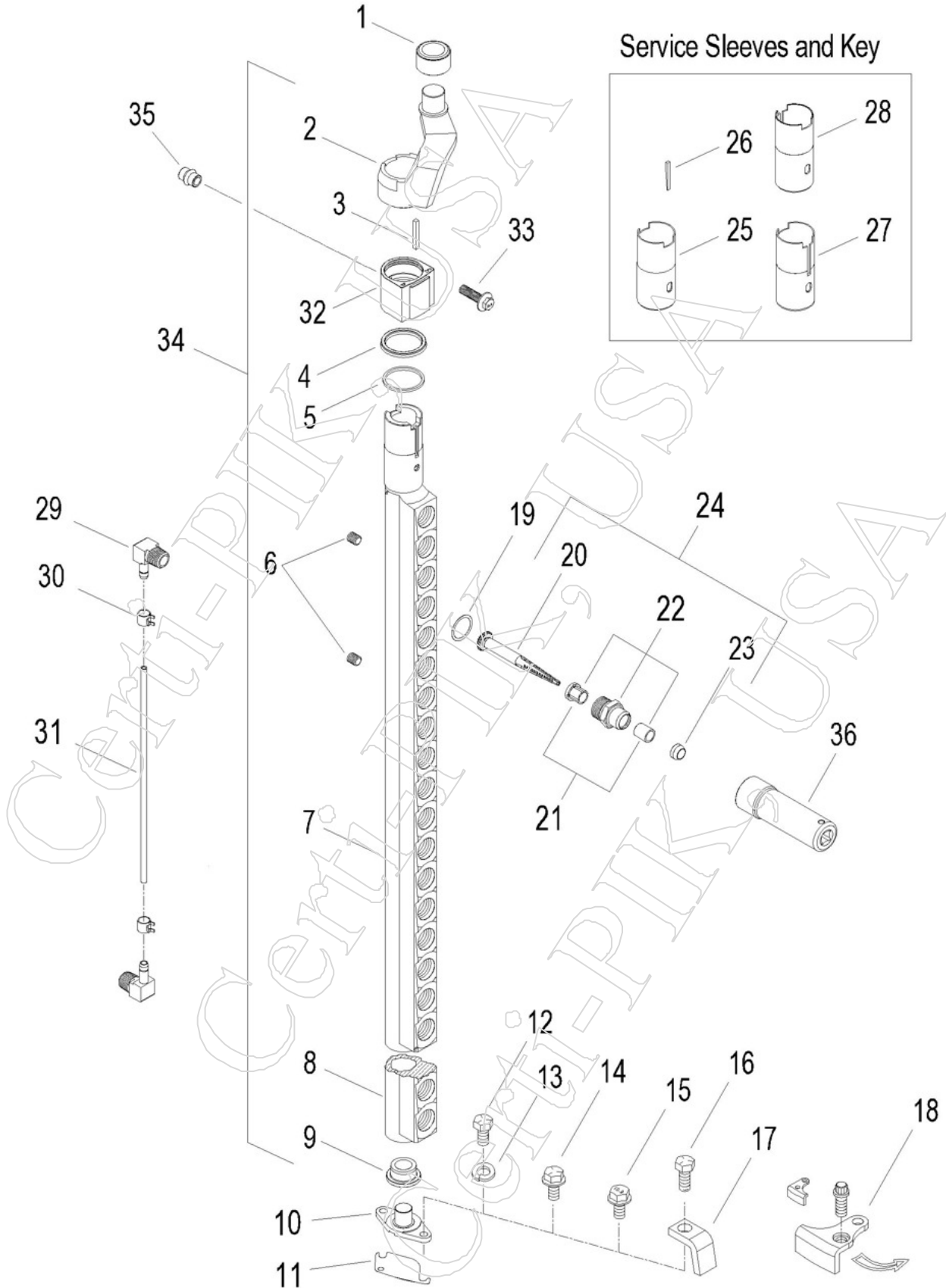


# John Deere 9930-9935, 9950-CP770 Picker Bar and Spindle Assembly

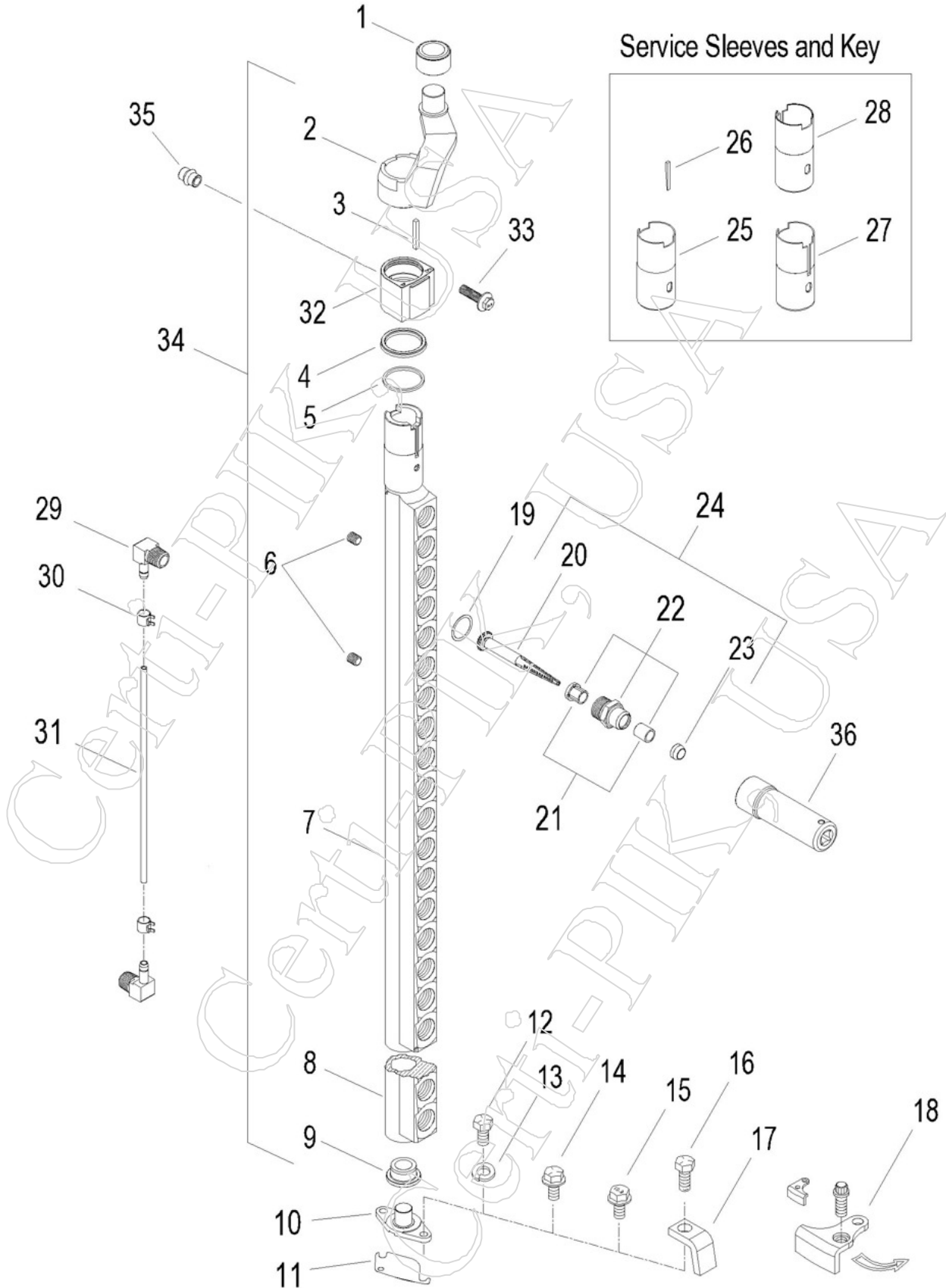


# John Deere 9930-9935, 9950-CP770 Picker Bar and Spindle Assembly

30-2

Item	Part	OEMPart	Qty	Desc
1	93500PRM	N193500	1	CAM ROLLER
2.1	98724R	N198724	1	ARM - R.H. CAM FOLLOWER ARM (9930,9950-CP770)
2.2	98725L	N198725	NA	ARM - L.H. CAM FOLLOWER ARM, CONV. UNITS ONLY (ILL.)
3	64373	H64373	1	SQUARE KEY
4	19589P	N119589	1	SEAL - UPPER CUP (NOT USED ON PRO BARS)
5.1	19581P	N119581	1	SEAL - LOWER SQUARE (NOT USED ON PRO BARS)
5.2	19854P	T19854	AR	O-RING SEAL - (9900-CP770) (2 USED ON PRO BARS)
6	00558P	15H558	AR	PLUG - 1/8 PIPE PLUG
7.1	93320RPRM	AN193320	1	BAR - 18 SPINDLE R.H. WITH PRESSED ON SLEEVE
7.2	74501RPRM	AN274501	1	BAR - PRO-12, 18 SPINDLE PRO-12 SERIES WITH SLEEVE
8.1	73434RPRM	AN273434	1	BAR - PRO-16, 20 SPINDLE PRO-16 SERIES WITH SLEEVE
8.2	92810RPRM	AN192810	1	BAR - 20 SPINDLE R.H. WITH PRESSED ON SLEEVE
8.3	92809LPRM	AN192809	1	BAR - 20 SPINDLE L.H. WITH PRESSED ON SLEEVE
9	74832P	N374832	1	JD BAR BUSHING ( NEW STYLE SHORTER )
10	12291P	N112291	1	BAR STOOL PIVOT (9900-CP770)
11.1	93694P	N193694	1	SHIM - .003" BAR STOOL SHIM
11.2	90952P	N190952	1	SHIM - .005" BAR STOOL SHIM
11.3	90953P	N190953	1	SHIM - .010" BAR STOOL SHIM
12	01813P	19H1813	1	BOLT - 5/16 X 5/8" HEX HEAD GD5
13	07065P	12M7065	1	WASHER - 8mm LOCK (REPLACES 5/16")
14	03695P	19H3695	1	BOLT - 5/16 X 5/8" - SMOOTH HEX FLANGE GD5
15	07865P	19M7865	1	BOLT - M8 X 16 - SMOOTH HEX FLANGE
16	01900P	19H1900	1	BOLT - 5/16 X 3/4" HEX HEAD (USED W/ #CPE683 DIRT SCRAPER)
17	CPE683	<-----OEM	1	DIRT SCRAPER ( CAN BE ATTACHED POINTING UP OR DOWN )
18.1	CPE684CCW	<-----OEM	1	DIRT SCRAPER - CCW ROTATION, IN-LINE, INCLUDES 1x ATTACHING SCREW # CPE686P (ILL.)
18.2	CPE685CW	<-----OEM	1	DIRT SCRAPER - CW ROTATION
18.3	CPE687CCW	<-----OEM	1	PRO - DIRT SCRAPER ON BAR STOOL - CCW ROTATION - 9970-7760 - REQUIRES 1x CPE688P BOLT EACH ATTACHING HARDWARE (M8 X 20)
19.1	02889P	L2889N	AR	SHIM - .005" SPINDLE NUT SHIM
19.2	10223P	N110223	AR	SHIM - .010" SPINDLE NUT - (REPLACES CASE/IH #674980R2)
20	28390RP	KK28390	AR	SPINDLE - PRO-XL PICKER SPINDLE RIGHT HAND - REPLACES #N277078 & N190332R
21.1	13307P	N113307	AR	BUSHING - SPIN. BUSH. FLANGED (9900-CP690)
21.2	12394P	N112394	AR	BUSHING - SPIN. BUSH. STRAIGHT
22	11948R	AN111948	AR	ASSEMBLY - R.H. SPINDLE NUT WITH PRESSED BUSHINGS
23	79986	N279986	AR	DUST CAP - SPINDLE (9900-CP690)
24	18840	AKK18840	AR	JD - PRO R.H. SPINDLE ASSEMBLY - REPLACES #AN274216
25	76373	N276373	1	SLEEVE - FULL LENGTH SERVICE SLEEVE, REPLACES DEERE N195657
26	95970	N195970	1	KEY - TAPERED SERVICE
27	95657K	<-----OEM	1	SLEEVE - KEYED SERVICE SLEEVE - CONV. & IN-LINE (NOT PRO)
28	76373K	<-----OEM	1	SLEEVE - KEYED SERVICE SLEEVE - PRO ONLY
29	15724P	N115724	1	UNION FITTING - 90 DEG LUBE LINE ELBOW
30.1	17044P	N117044	1	HOSE CLAMP - (HOSE OD .280)
30.2	17044FP	<-----OEM	1	HOSE CLAMP - 3/8" LONG FLARED ENDS (HOSE OD .280)
31.1	74964-01	N274964	1	HOSE - PICKER BAR LUBE (1000 FT)
31.2	74964-02	N274964	1	HOSE - PICKER BAR LUBE (100 FT MIN. RANDOM CUT)

# John Deere 9930-9935, 9950-CP770 Picker Bar and Spindle Assembly



# John Deere 9930-9935, 9950-CP770 Picker Bar and Spindle Assembly

30-2

<u>Item</u>	<u>Part</u>	<u>OEMPart</u>	<u>Qty</u>	<u>Desc</u>
32	70976	N370976	1	PRO BEARING - BAR JOURNAL ( C-PIK ) (9935-CP770)
33	07835P	19M7835	1	BOLT - M10 X 35 - SMOOTH HEX FLANGE - PRO BEARING RETAINER
34.1	76734-K	AN276734	1	** KIT ** 20 SPINDLE (PRO) PICKER BAR ( NOT ASSEMBLED ) - DOES NOT INCLUDE SHIMS #02889P - INCLUDES PARTS IN DRIVE SHAFT KIT #76737-K & ARM #98724R
34.2	74502-K	AN274502	1	** KIT ** 18 SPINDLE (PRO) PICKER BAR ( NOT ASSEMBLED ) - DOES NOT INCLUDE SHIMS #02889P - INCLUDES PARTS IN DRIVE SHAFT KIT #76743-K & ARM #98724R
35	79871	N279871	1	BUSHING - INSERT , BAR SEAL - PRO DRUM HEAD
36	75063	N275063	1	PICKER SPINDLE SOCKET, 1-1/8 IMPACT, HARDENED, REDUCED WEIGHT, LINED WITH PLASTIC TO PROTECT BARBS