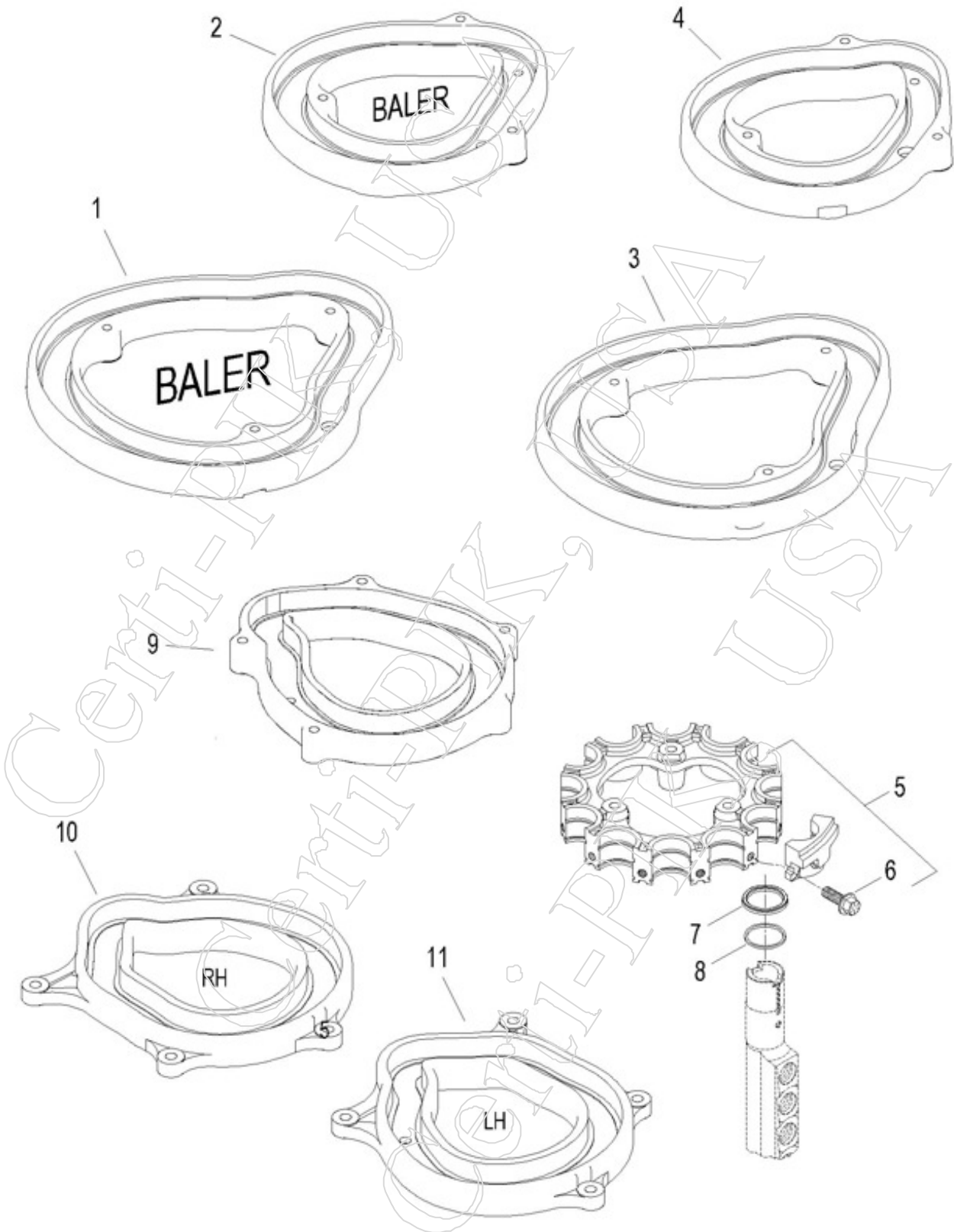


John Deere Cam Tracks and Drum Head



John Deere 9900-CP690 Cam Tracks and Drum Head

30-5

<u>Item</u>	<u>Part</u>	<u>OEMPart</u>	<u>Qty</u>	<u>Desc</u>
1	78790R	N378790	1	CAM TRACK - PRO-16 FRONT - BALER (7760-CP690)
2	78789R	N378789	1	CAM TRACK - PRO-12, & PRO-16 REAR - BALER (7760-CP690)
3	73016R	N273016	1	CAM TRACK - PRO-16 FRONT (9935-9996)
4	73012R	N273012	1	CAM TRACK - PRO-12, & PRO-16 REAR (9935-9996)
5.1	15235	AN115235	1	DRUM HEAD - 12-BAR, WITH LUBE HOLES IN CAPS (9900-9910)
5.2	72570	AN272570	1	DRUM HEAD - 12-BAR, 9900-9965 (SUBS AN191022 & AN115235)
6.1	03699P	19H3699	12	BOLT - 7/16" X 1-1/4" UNF GD8 - SMOOTH HEX FLANGE
6.2	03699PP	<-----OEM	12	BOLT - 7/16" X 1-1/4" UNF GD8 - SMOOTH HEX FLANGE - YELLOW PLATING
7	19589P	N119589	1	SEAL - UPPER CUP (NOT USED ON PRO BARS)
8.1	19581P	N119581	1	SEAL - LOWER SQUARE (NOT USED ON PRO BARS)
8.2	19854P	T19854	1	O-RING SEAL - (9900-CP690) (2 USED ON PRO BARS)
9	97910R	N197910	1	CAM TRACK - 12-BAR IN-LINE UNITS (9935, 9960-9965)
10	90600R	N190600	1	CAM TRACK - R.H. 12-BAR (9900-9950 CONV.)
11	90601L	N190601	1	CAM TRACK - L.H. 12-BAR (9900-9950 CONV.)