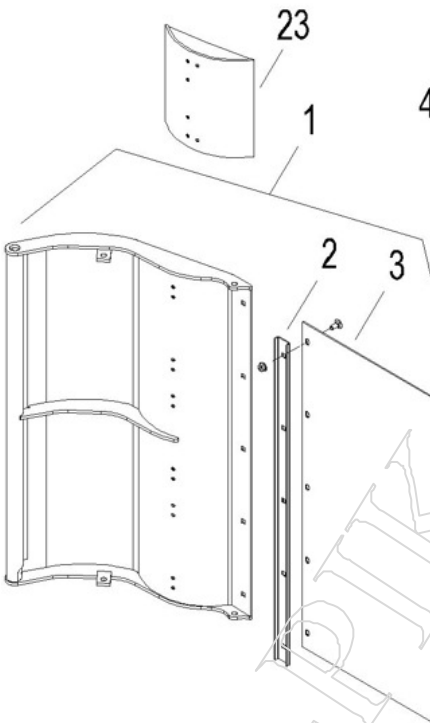
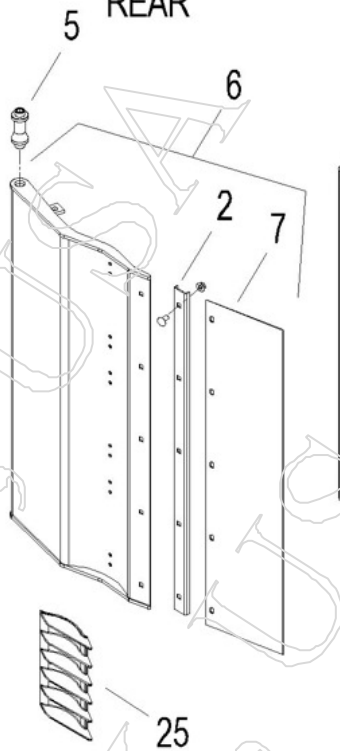


CERTI-PIK, USA - SINGLE PIK - Extended Deep-Dish Pressure Doors

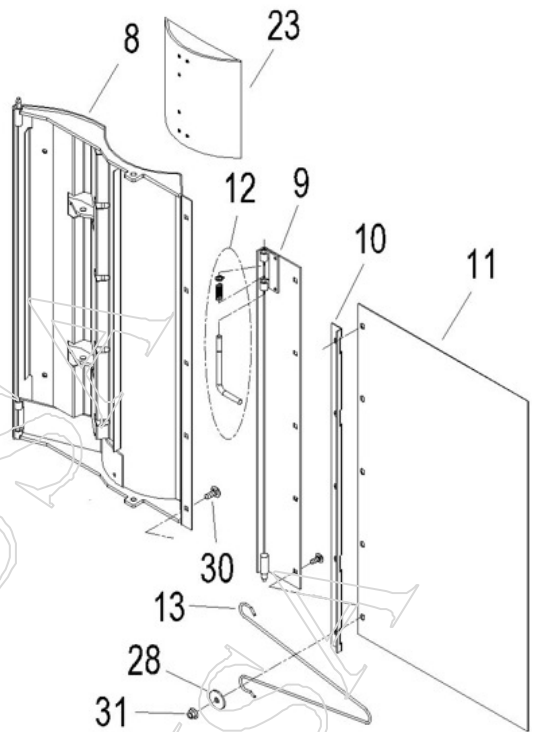
CASE/IH 2000 SERIES - 635
FRONT



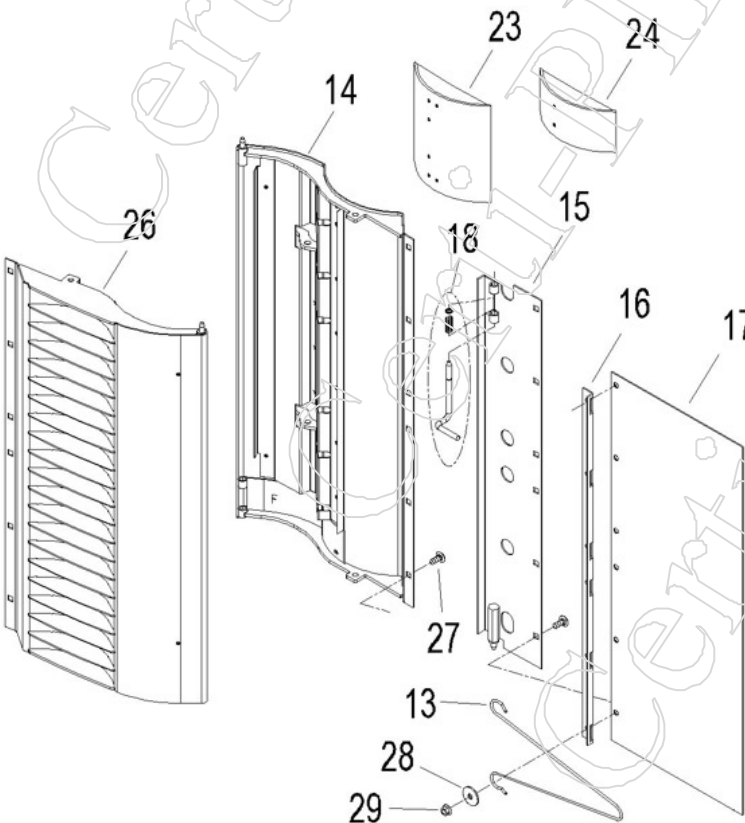
CASE/IH 2000 SERIES - 635
REAR



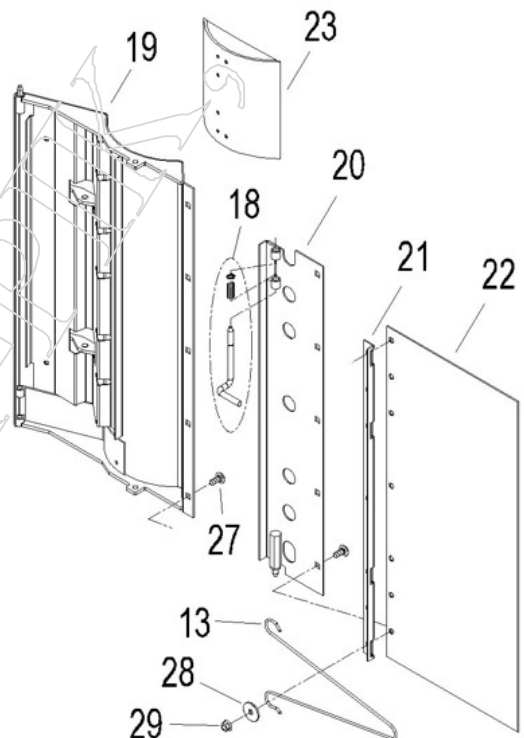
JOHN DEERE 9960-65 IN-LINE



JOHN DEERE 9976-CP690 PRO-16 20S



JOHN DEERE 9970-CP690 PRO-12 18S



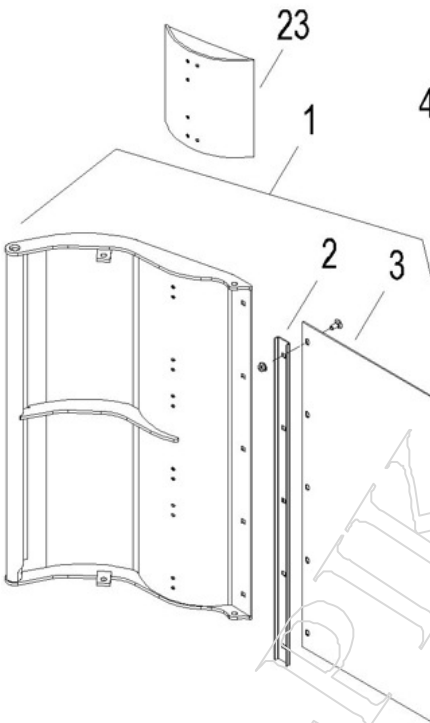
Certi-Pik, Usa Single Pik- Extended Deep-Dish Pressure Doors

CTX

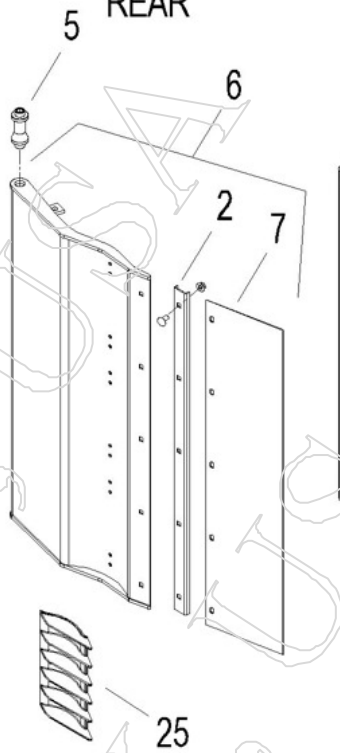
| Item | Part | OEMPart | Qty | Desc |
|------|-----------|-----------|-----|--|
| 1.1 | CTX46337 | 87669791 | 1 | Single Pik - CTX ExtenDoor - CASE/IH- R.H. FRONT GUIDE (SOLD WITH: CTX20CL, CTX20FE & HARDWARE: 5x 01540P & 5x 10213P) REP. ALL 2000 SER. THRU 635 M.E. OEM GUIDES (USES 3x #669970 S.P.) (ILLUSTRATED) |
| 1.2 | CTX46336L | <-----OEM | 1 | Single Pik - CTX ExtenDoor - CASE/IH - L.H. UNITS - 2022, 2044, 2555 (SOLD WITH: CTX20CL, CTX20FE, & HARDWARE: 5x 01540P & 5x 10213P) REPLACES OEM GUIDE #1546336C2 AND EXT. #1982710C2 |
| 2 | CTX20CL | 87689115 | 1 | CASE/IH 2000 SERIES - ANGLE, EXTENSION CLAMP |
| 3 | CTX20FE | 87689109 | 1 | CASE/IH 2000 SERIES - EXTENSION, PLASTIC, FRONT |
| 4 | CTX20PL | 87689108 | 1 | CASE/IH 2000 SERIES - REMOVABLE EXTENSION, FRONT DOOR, STRONGLY RECOMMENDED - (ATTACHES WITH OEM SPRING ROD #'S 673851R3, 10322R, & 1982712C1) |
| 5 | CTX20TB | <-----OEM | 1 | CASE/IH - BUSHING - REAR DOOR - OPTIONAL - (REPLACES: OEM 1x 86982778-SPACER & 2x 216544C1-BUSHING) |
| 6.1 | CTX46345 | 87669794 | 1 | Single Pik - CTX ExtenDoor - CASE/IH - R.H. REAR GUIDE (SOLD WITH: CTX20CL, CTX20RE & HARDWARE: 5x 01540P & 5x 10213P) REP. ALL 2000 SER. THRU 635 M.E. OEM GUIDES (USES 3x #69576R2 S.P.) (ILLUSTRATED) |
| 6.2 | CTX46344L | <-----OEM | 1 | Single Pik - CTX ExtenDoor - CASE/IH - L.H. UNITS - 2022, 2044, 2555 (SOLD WITH: CTX20CL, CTX20RE, & HARDWARE: 5x 01540P & 5x 10213P) REPLACES OEM GUIDE #1546344C2 AND EXT. #1982711C2 |
| 7 | CTX20RE | 87689114 | 1 | CASE/IH 2000 SERIES - EXTENSION, PLASTIC, REAR |
| 8 | CTX93029 | <-----OEM | 1 | Single Pik - CTX ExtenDoor - JD - PRESSURE PLATE - FRONT & REAR - (9960-9965 IN-LINE) REPLACES OEM# AN193029 - (THIS DOOR USES 3x #669970 SCRAPPING PLATES) |
| 9 | 93844 | AN193844 | 1 | EXTENSION (FRONT) |
| 10 | 98851 | N198851 | 1 | ANGLE - EXTENSION CLAMP (FRONT & REAR) |
| 11 | 96126 | N196126 | 1 | EXTENSION - PLASTIC (FRONT & REAR) |
| 12 | 34274K | <-----OEM | 1 | PIN KIT - INCLUDES: 1x #34274-PIN, 1x #19488P-SPRING, 1x #33504P-SNAP RING |
| 13 | 98712 | N198712 | AR | REINFORCEMENT - PRESSURE PLATE (9935-CP690 - IN-LINE & PRO) 2x / 18S PLATE, 3x / 20S PLATE |
| 14.1 | CTX74593F | <-----OEM | 1 | Single Pik - CTX ExtenDoor - JD - PRESSURE PLATE - PRO 16 20S : FRONT (9976-CP690) & REAR (7760&CP690) - REPLACES OEM #AN274593 & AN279558 - (THIS DOOR USES 3x #669970 & 1x #669971 SCRAPPING PLATES) |
| 14.2 | CTX74593R | <-----OEM | 1 | Single Pik - CTX ExtenDoor - JD - PRESSURE PLATE - PRO 16 20S : REAR (9976-9996) REPLACES OEM #AN274593 - (THIS DOOR USES 3x #669970 & 1x #669971 SCRAPPING PLATES) |
| 15 | 72944 | AN272944 | 1 | EXT. - FRONT PRESSURE PLATE, PRO-16 20S (9976-CP690) |
| 16 | 74102 | N274102 | 1 | ANGLE - EXTENSION CLAMP, PRESSURE PLATE, PRO-16 20S (9976-CP690) (AR: 6x 01519-1"-BOLT & 6x 10215P-NUT) |
| 17 | 10467 | KK10467 | 1 | EXTENSION - PLASTIC, PRESSURE PLATE, PRO-16 20S, FRONT & REAR - REPLACES #N274104 : (7760-CP690) |
| 18 | 75113K | <-----OEM | 1 | PIN KIT - INCLUDES: 1x #75113-PIN, 1x #19488P-SPRING, 1x #33504P-SNAP RING |
| 19.1 | CTX74587F | <-----OEM | 1 | Single Pik - CTX ExtenDoor - JD - PRESSURE PLATE - PRO 12 18S : FRONT (9970-CP690) REPLACES OEM #AN274587 & AN279557 - (THIS DOOR USES 3x #669970 SCRAPPING PLATES) |
| 19.2 | CTX74587R | <-----OEM | 1 | Single Pik - CTX ExtenDoor - JD - PRESSURE PLATE - PRO 12 18S : REAR (9970-CP690) REPLACES OEM #AN274587 - (THIS DOOR USES 3x #669970 SCRAPPING PLATES) |
| 20 | 74542 | AN274542 | 1 | EXTENSION - FRONT PRESSURE PLATE, PRO-12 18S (9970-CP690) |
| 21 | 78107 | N278107 | 1 | ANGLE - EXTENSION CLAMP, PRESSURE PLATE, PRO-12 18S, (AR: 5x 01519-1"-BOLT & 5x 10215P-NUT) (9970-CP690) |
| 22 | 78108 | N278108 | 1 | EXTENSION - PLASTIC, PRESSURE PLATE, PRO-12 (9935-9996)- 18S (FRONT & REAR)- SUBS TO #KK10468: (7760-CP690) |
| 23 | 669970 | <-----OEM | 3 | CTX (5-SPINDLE) SCRAPPING PLATE - SOLD WITH ATTACHING HARDWARE- 2 BOLTS, & NUTS, NOT USED W/ REAR CASE |

CERTI-PIK, USA - SINGLE PIK - Extended Deep-Dish Pressure Doors

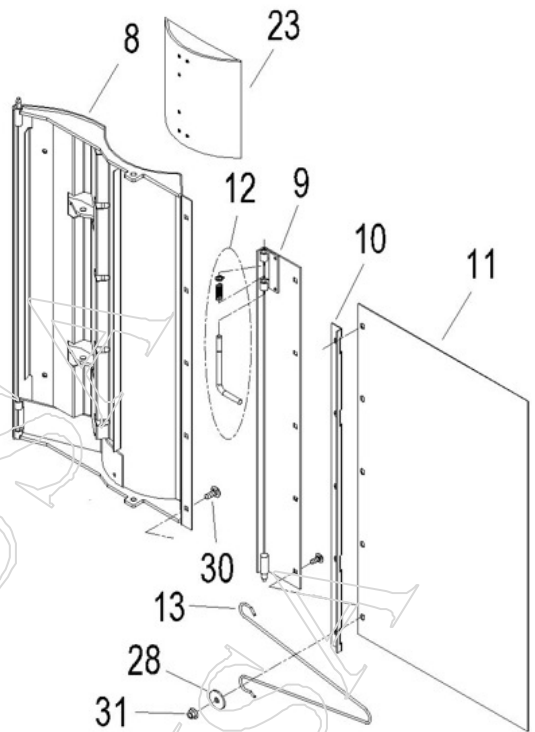
CASE/IH 2000 SERIES - 635
FRONT



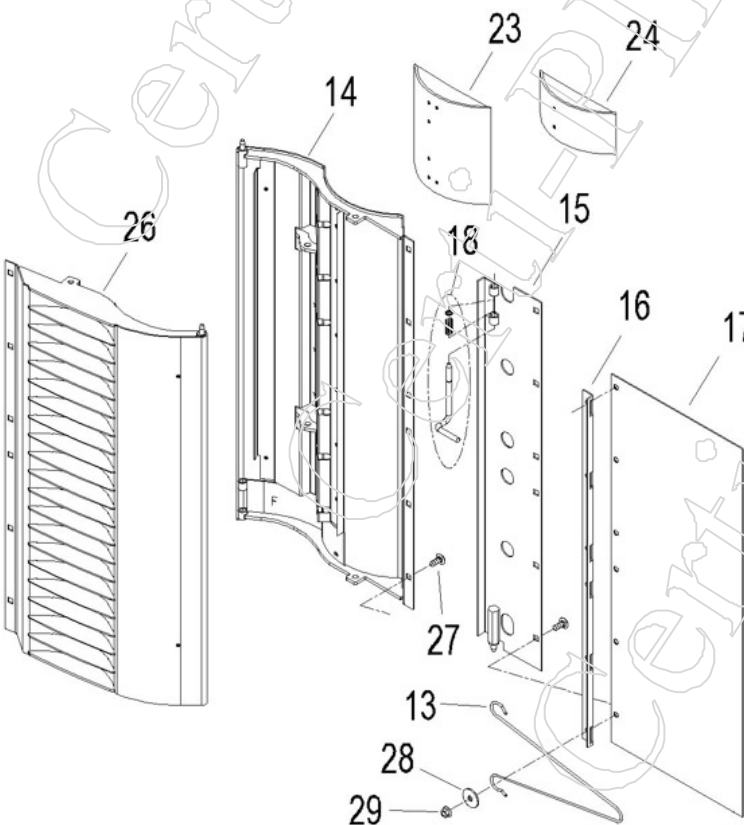
CASE/IH 2000 SERIES - 635
REAR



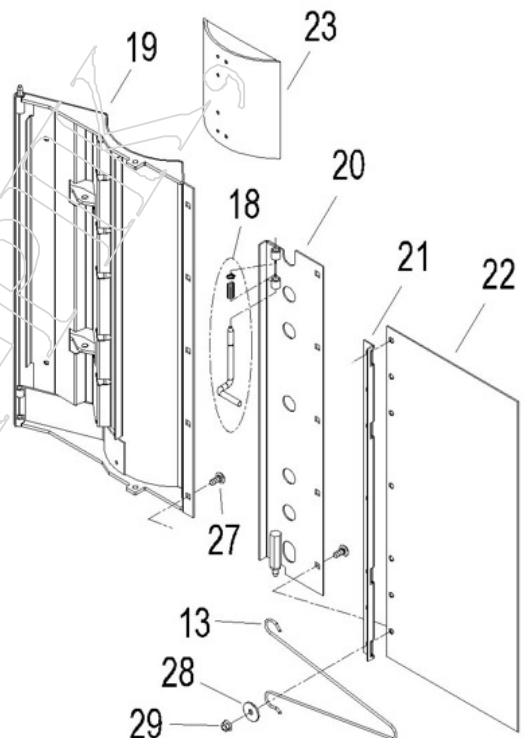
JOHN DEERE 9960-65 IN-LINE



JOHN DEERE 9976-CP690 PRO-16 20S



JOHN DEERE 9970-CP690 PRO-12 18S



Certi-Pik, Usa Single Pik- Extended Deep-Dish Pressure Doors

CTX

| <u>Item</u> | <u>Part</u> | <u>OEMPart</u> | <u>Qty</u> | <u>Desc</u> |
|-------------|--------------|----------------|------------|--|
| 24 | 669971 | <-----OEM | 1 | TOP (2 SPINDLE) CTX SCRAPPING PLATE - SOLD WITH ATTACHING HARDWARE - 2 BOLTS, & NUTS, (1 ON TOP OF 20 SPIN. DOOR) |
| 25 | 69576R2 | 669576R2 | 3 | SCRAPPING PLATE- LARGE CASE/IH OEM STYLE - SOLD WITH ATTACHING HARDWARE- 2 BOLTS, & NUTS (FITS ONLY REAR CASE CTX DOOR AND OEM DOOR EXTENSIONS) |
| 26.1 | CTX79558FIN | <-----OEM | 1 | Single Pik - CTX ExtenDoor - JD - PRESSURE PLATE - WELDED STEEL SCRAPPING FINS - PRO 16 20S : FRONT (9976-CP690) & REAR (7760&CP690) - REPLACES OEM #AN274593 & AN279558 |
| 26.2 | CTX79558FINR | <-----OEM | 1 | Single Pik - CTX ExtenDoor - JD - PRESSURE PLATE - WELDED STEEL SCRAPPING FINS - PRO 16 20S : REAR (9976-9996) REPLACES OEM #AN274593 |
| 27 | 07192P | 03M7192 | AR | BOLT - M10 X 30 ROUND HEAD - SQR NECK |
| 28 | 01730P | 24H1730 | AR | WASHER - .410 X 1.5 X .120" |
| 29 | 63526P | E63526 | AR | NUT - M10 - SERR HEX FLANGE |
| 30 | 01709P | 03H1709 | 5 | BOLT - 5/16 X 1" CARRIAGE |
| 31 | 10213P | 10213P | 5 | NUT - 5/16 - SERR HEX FLANGE |