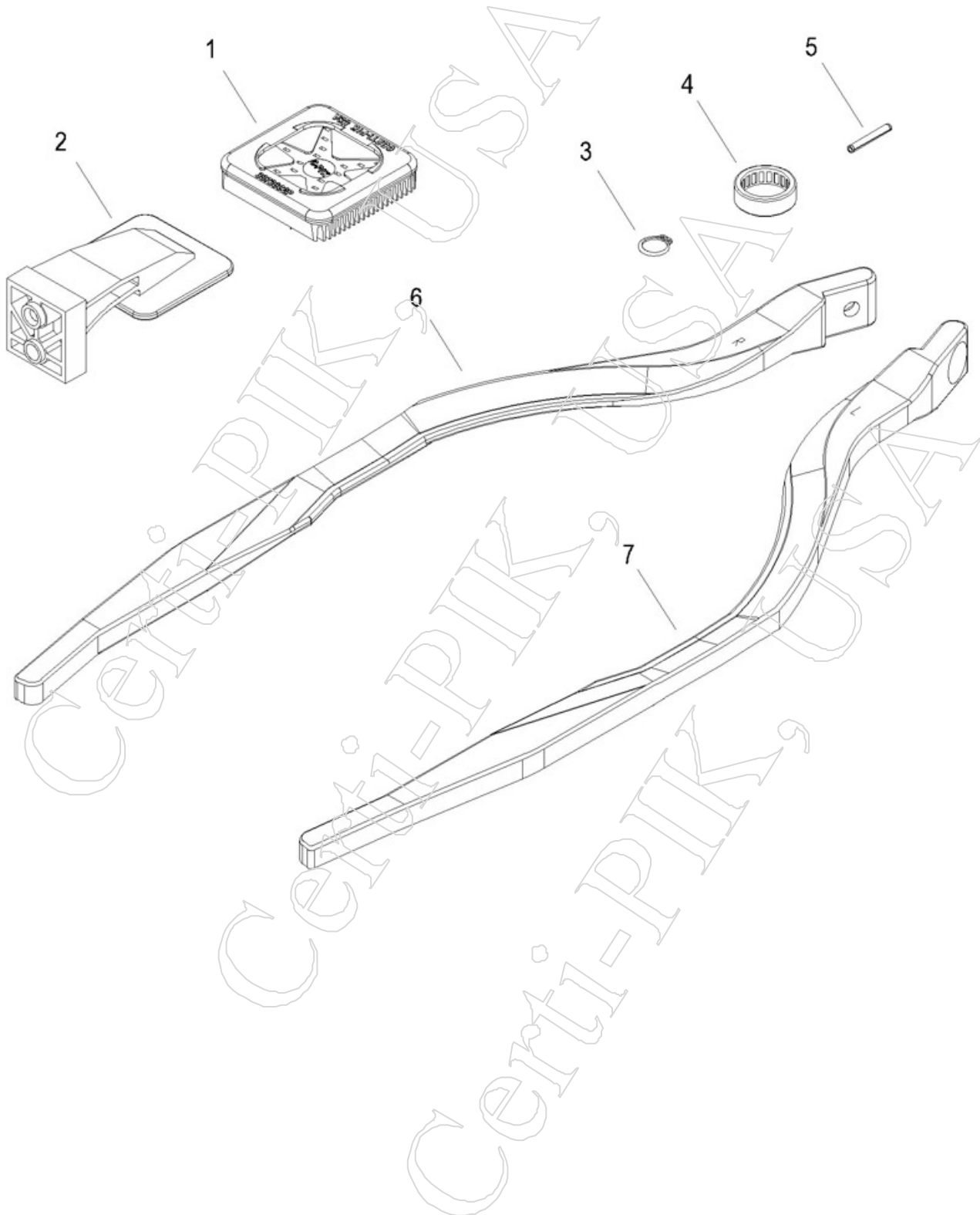


Case / IH Miscellaneous Parts



Case /IH Miscellaneous Parts

60-1

| <u>Item</u> | <u>Part</u> | <u>OEMPart</u> | <u>Qty</u> | <u>Desc</u> |
|-------------|-------------|----------------|------------|---|
| 1 | 38720C2UPRM | 1338720C2 | 18 | MOISTENER PAD - PREMIUM URETHANE |
| 2 | 7410653P | 87410653 | 18 | ARM - NEW BLACK - REPLACEMENT MOISTENER PAD HOLDER |
| 3 | 1001150P | 100-1150 | 1 | RING - EXTERNAL RETAINING - (2000 SERIES) |
| 4 | 9062R91P | 3139062R91 | 6 | BEARING - SPINDLE DRIVE SHAFT NEEDLE BEARING, * 23 NEEDLES * |
| 5 | 0381916P | 38-1916 | 18 | PIN - 9/64 X 1" SLOTTED SPRING PIN (REPLACES 25954R1) |
| 6 | 16829C2P | 216829C2 | 17 | SLAT - R.H. GRID BAR, FITS MODLES 1822-635 - REAR (R.H. PICKING UNITS) |
| 7 | 16828C2P | 216828C2 | 17 | SLAT - L.H. GRID BAR, FITS MODLES 1822-635 - FRONT (R.H. PICKING UNITS) |