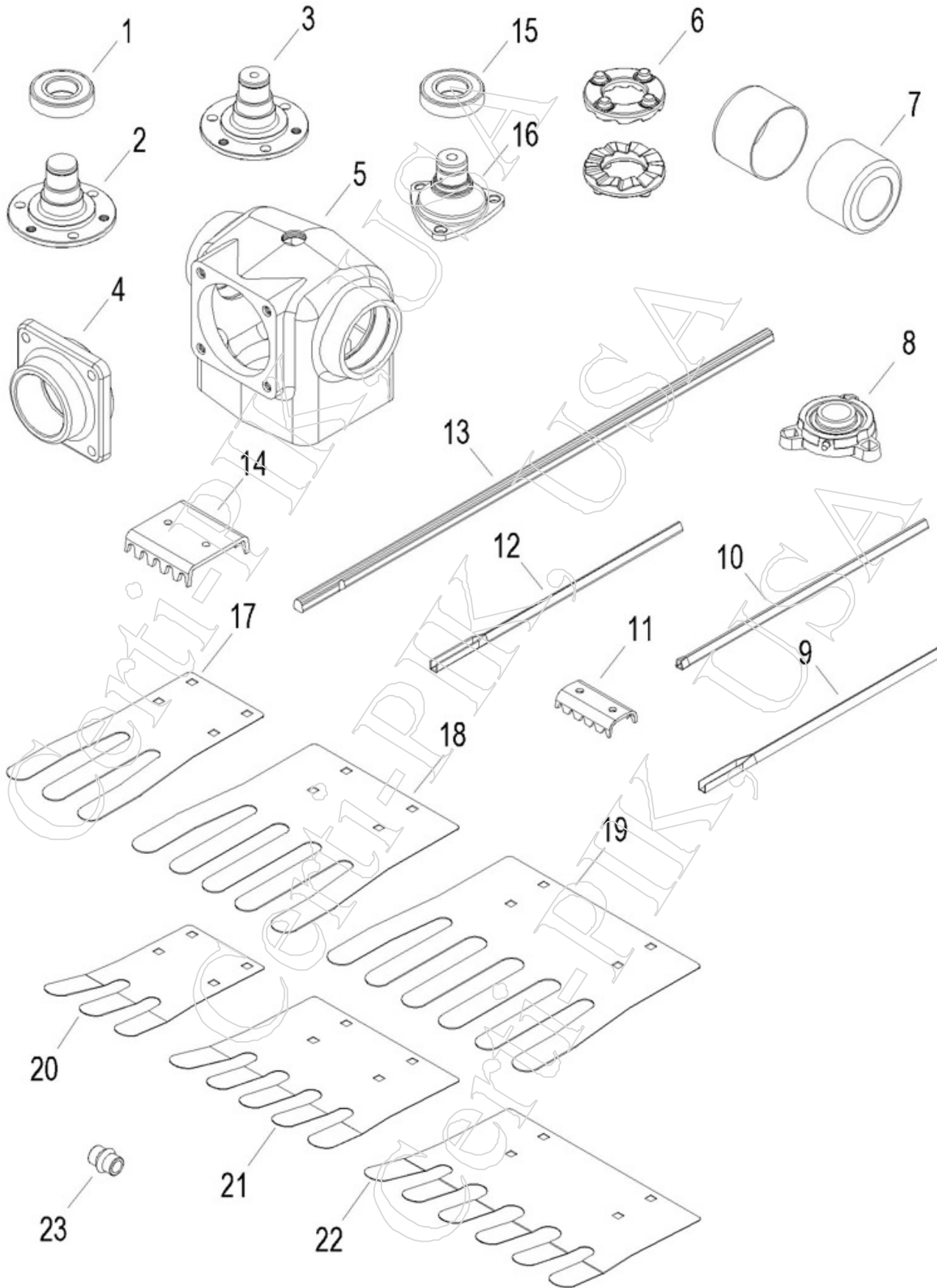


# John Deere Miscellaneous Parts



<u>Item</u>	<u>Part</u>	<u>OEMPart</u>	<u>Qty</u>	<u>Desc</u>
1	11537P	AN111537	1	BEARING, DRUM BEARING, 9910-9965 CONV.& IN-LINE
2	93645	N193645	1	SPINDLE, PICKER BAR DRUM, 9900-9965 W/O LUBE
3	11582	AN111582	1	STUD, PICKER BAR DRUM, 9900-9910 W/ LUBE HOLE
4	18641	N118641	1	CAP, QUILL - GEAR BOX CAP
5.1	97405	N197405	1	HOUSING, TRANSMISSION CASE ( 9935, 9960-9965 IN-LINE & CONV. )
5.2	90430	N190430	1	HOUSING, TRANSMISSION CASE (9940, 9950)
6	99180	N199180	2	JD - SLIP CLUTCH (SOLD IN PAIRS ONLY) LOWER GEAR CASE = ALL 9935, 9960 - CP690: CONV, IN-LINE & PRO UNITS, UNIT DRIVE = 9910 - 9950 , ( 2x 99180 = 1x AN274314 )
7	95342	N195342	1	BOOT, 9950 COUPLER COVER, BLACK RUBBER
8	10820P	AN110820	1	UNIT DRIVE BEARING - (9900-9930)
9	93203	<-----OEM	1	BASKET FINGER - REPLACEMENT ARM ( 16 INCH ) 9960-9976 (112 PCS USED ON ASSEMBLY # AN276456)
10	29922	N129922	1	FINGER GRATE - BASKET - 9986 - ( ALSO FITS 7445 COTTON STRIPPER)
11	29427	N129427	1	CLAMP - BASKET FINGER GRATE - 9986 - ( ALSO FITS 7445 COTTON STRIPPER)
12	73378	N373378	1	FINGER GRATE - BASKET - 9996
13	82159	N382159	1	FINGER GRATE - BASKET ( 7760-CP690 )
14	82449	N382449	1	CHANNEL CLAMP - BASKET FINGER GRATE ( 7760-CP690 )
15	72787P	AN272787	1	PRO - BOTTOM DRUM BEARING - PREMIUM QUALITY (9935, 9970, 9976, 9986, 9996, 7760, CP690)
16	73309	N273309	1	PRO - DRUM SPINDLE - STEEL (9935, 9970, 9976, 9986, 9996, 7760, CP690)
17	31825	KK31825	1	JD BALER - WRAP GUIDE - SMALL SIZE - PLASTIC (.062 THICK) 7760-CP690 (2 USED/MACHINE) REPLACES N383021
18	31824	KK31824	1	JD BALER - WRAP GUIDE - MEDIUM SIZE - PLASTIC (.062 THICK) 7760-CP690 (2 USED/MACHINE) REPLACES N400244
19	31823	KK31823	1	JD BALER - WRAP GUIDE - LARGE SIZE - PLASTIC (.062 THICK) 7760-CP690 (3 USED/MACHINE) REPLACES N383019
20	81641	N381641	1	JD BALER - WRAP GUIDE - EXTENSION - STEEL - 3 FINGERS
21	81904	N381904	1	JD BALER - WRAP GUIDE - EXTENSION - STEEL - 5 FINGERS
22	81623	N381623	1	JD BALER - WRAP GUIDE - EXTENSION - STEEL - 6 FINGERS
23	79871	N279871	1	BUSHING - INSERT , BAR SEAL - PRO DRUM HEAD