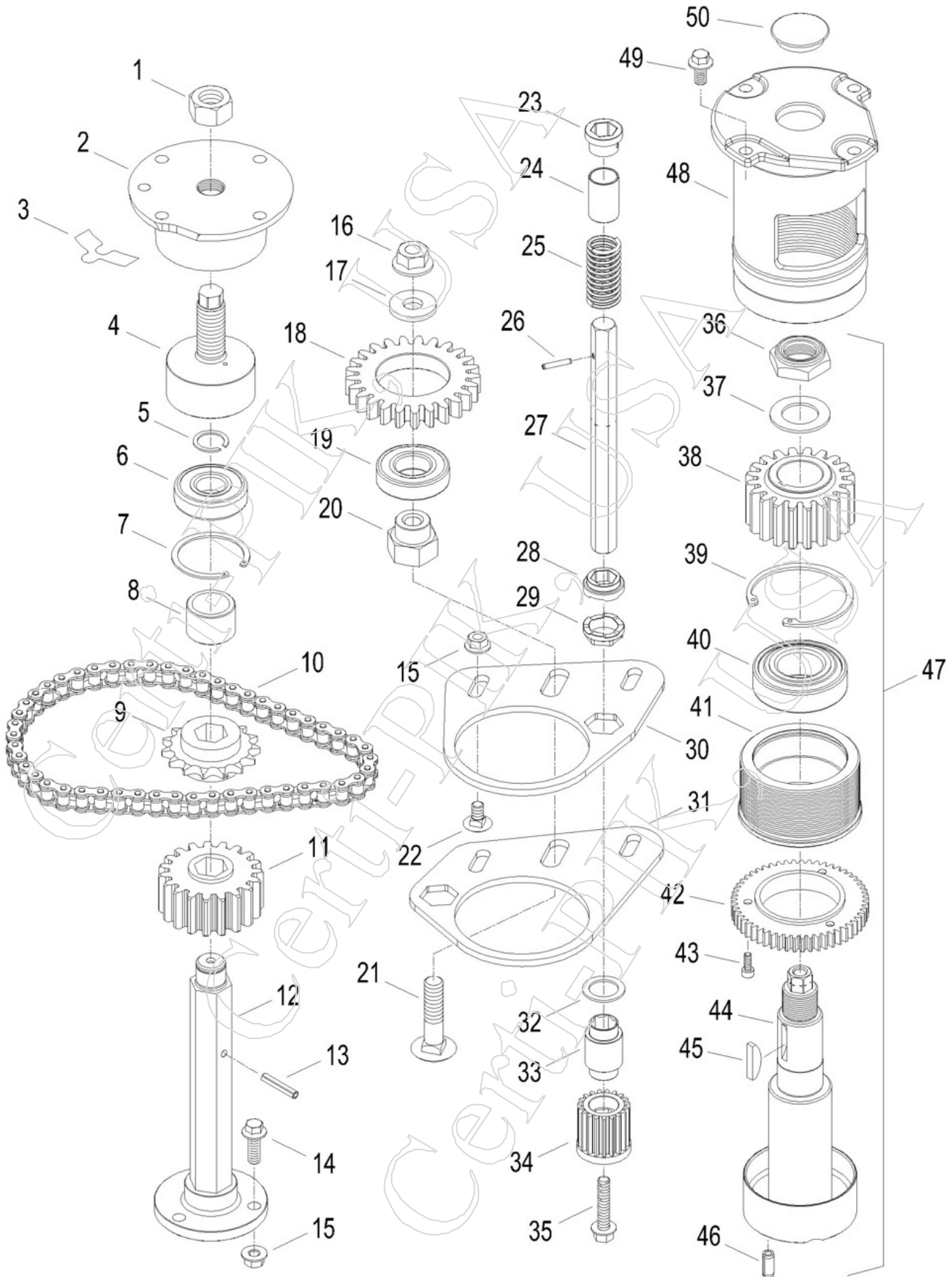


# John Deere Upper Dofter Adjustment Housing and Sprockets Assembly

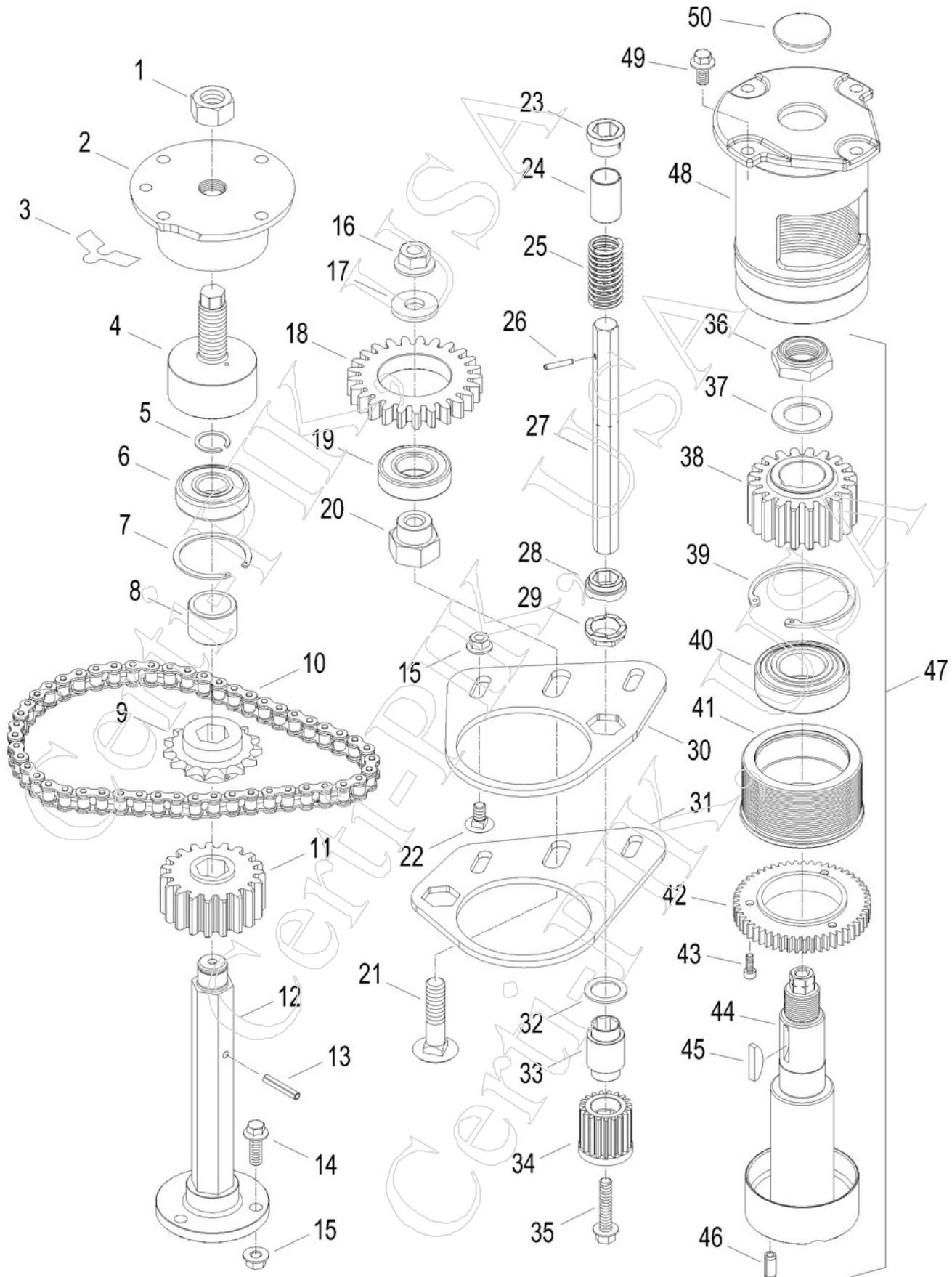


# John Deere Upper Doffer Adjustment Housing and Sprockets Assembly

30-6

Item	Part	OEMPart	Qty	Desc
1.1	00852P	14H852	1	NUT - 7/8 - HEX (9900-9965)
1.2	77146P	N277146	1	PRO UPPER DOFFER ADJUSTMENT NUT - M24 (9970-7760)
2.1	14205	N114205	1	HOUSING - UPPER DOFFER ADJUSTMENT (9900-9965) (ILL.)
2.2	75853	N275853	1	PRO UPPER DOFFER ADJUSTMENT HOUSING (9970-7760)
3	75931P	N275931	AR	SHIM - HOUSING - REPLACES #N34164
4.1	95284	N195284	1	ADJUSTER (9900-9965) (ILL.)
4.2	75743	N375743	1	PRO DOFFER ADJUSTER (9970-7760)
5	43026P	P43026	1	SNAP RING (9900-7760)
6	09467P	JD9467	1	BEARING - UPPER DOFFER (9900-CP770) / PRO LOWER IDLER
7	23156P	N123156	1	SNAP RING (9900-7760)
8.1	95726	N195726	1	SPACER - (9935-9965 IN-LINE ONLY)
8.2	77150	N277150	1	PRO UPPER DOFFER SPACER (9970-7760)
9	90918	N190918	1	SPROCKET - CHAIN SPROCKET (9910-9965 CONV. ONLY)
10.1	13170	AN113170	1	LINK CHAIN - DOFFER DRIVE, 62 LINKS, 12-BAR (9900-9965)
10.2	13171	AN113171	1	LINK CHAIN - DOFFER DRIVE, 75 LINKS, 16-BAR (9900-9910)
11.1	97456	N197456	1	GEAR - SPUR (9935-9965 IN-LINE ONLY) 19 TOOTH
11.2	73954	N273954	NA	PRO UPPER DOFFER SPUR GEAR - 20 TOOTH (9970-7760)
12.1	90169	AN190169	1	SHAFT - HEX DOFFER DRIVE (9900-9965) (ILL.)
12.2	73484	AN273484	1	PRO HEX DOFFER DRIVE (9970-7760)
13.1	00316P	34H316	1	PIN - 1/4 X 1-1/2 SPRING PIN (9900-9965)
13.2	00385P	34H385	1	PIN - 1/4 X 1-3/4 SPRING PIN (PRO)
14	07786P	19M7786	1	BOLT - M10 X 30 - SMOOTH HEX FLANGE
15	63526P	E63526	1	NUT - M10 - SERR HEX FLANGE
16	07291P	14M7291	1	FLANGE NUT: M16
17	01373P	24H1373	1	WASHER - 21/32" X 1-9/16" X 0.180"
18	73955	N273955	1	SPUR GEAR - 25 TOOTH - DOFFER IDLER (F&R)
19	72787P	AN272787	1	BEARING PRO - BOTTOM DRUM BEARING / DOFFER IDLER
20	20381	KK20381	1	SPACER - HEX - DOFFER IDLER - REPACES #N278451 (F&R)
21	07211P	03M7211	1	BOLT - M16 X 70 - DOFFER IDLER
22	07190P	03M7190	1	BOLT - M10 X 20 ROUND HEAD - SQR NECK
23	14761	KK14761	1	BUSHING - TOP HEX - FINE DOFFER ADJUSTMENT (F&R)
24	20459	KK20459	1	SPACER - HEAVY WALL TUBE - FINE DOFFER ADJUSTMENT (F&R)
25	03106P	A3106R	1	SPRING - FINE DOFFER ADJUSTMENT (F&R)
26	00265P	34H265	1	SPRING PIN - 5/32" X 15/16"
27	61197	KK61197	1	HEX SHAFT - HEAT TREATED - FINE DOFFER ADJUSTMENT (F&R)
28	13518	KK13518	1	HUB - TOP CLUTCH - HEX BORE - FINE DOFFER ADJUSTMENT - HEAT TREATED STEEL FOR INCREASED DURRABILITY : NOT POWDERED METAL (F&R)
29	20391	KK20391	1	RETAINER - BOTTOM CLUTCH - ROUND BORE - FINE DOFFER ADJUSTMENT - LONGER HEX FOR FULL PLATE ENGAGMENT - HEAT TREATED STEEL FOR INCREASED DURRABILITY: NOT POWDERED METAL (F&R)
30	20346	KK20346	1	PLATE - FRONT - FINE DOFFER ADJUSTMENT
31	20347	KK20347	1	PLATE - REAR - FINE DOFFER ADJUSTMENT
32	07375P	24M7375	1	WASHER - 25 X 36 X 2mm
33	49513	KK49513	1	BUSHING - STRONGER STEEL HEX SPACER - FINE DOFFER ADJUSTMENT (F&R)
34	20450	KK20450	1	SPUR GEAR - 25 TOOTH - DOFFER IDLER - STEEL FOR INCREASED DURRABILITY : NOT POWDERED METAL (F&R)
35	07806P	19M7806	1	SCREW - M10 X 50 - FINE DOFFER ADJUSTMENT
36	75038P	N275038	1	NUT - PRO - M30 NYLON LOCK NUT

# John Deere Upper Doffer Adjustment Housing and Sprockets Assembly



# John Deere Upper Doffer Adjustment Housing and Sprockets Assembly

30-6

<u>Item</u>	<u>Part</u>	<u>OEMPart</u>	<u>Qty</u>	<u>Desc</u>
37	01262P	24H1262	1	WASHER - 1-3/16" X 2.25" X 0.120"
38	12107	KK12107	1	SPUR GEAR - 20 TOOTH - DOFFER DRIVE - FINE DOFFER ADJUSTMENT (F&R)
39	71921P	N71921	1	SNAP RING - FINE DOFFER ADJUSTMENT (F&R)
40	08524P	JD8524	1	BEARING - ADJUSTER - FINE DOFFER AJUSTMENT (F&R)
41	81096	KK81096	1	ADJUSTER BEARING HOUSING - FINE DOFFER AJUSTMENT - REPLACES #KK14726 & KK25634 & KK63795 (F&R)
42	17491	KK17491	1	SPUR GEAR - 53 TOOTH - FINE DOFFER ADJUSTMENT - STEEL FOR INCREASED DURRABILITY : NOT POWDERED METAL (F&R)
43	08553P	19M8553	3	SCREW - M6 X 16
44	35513	AKK35513	1	DRIVE SHAFT - FINE DOFFER ADJUSTMENT - REPLACES #AKK13695 (F&R)
45	00103P	26H103	1	SHAFT KEY - 1/4" X 2-1/8" - HARDENED
46	00347P	34H347	3	SPRING PIN - 3/8" X 7/8"
47	35513ASSY	<-----OEM		ASSEMBLED DRIVE SHAFT - FINE DOFFER ADJUSTMENT, READY TO INSTALL - INCLUDES ITEMS #36-46
48	45200	KK45200	1	HOUSING - FINE DOFFER ADJUSTMENT - (F&R)
49	75620P	N275620	AR	BOLT - M10 X 20 - SERR HEX FLANGE - GD 8 - NOT THREAD FORMING
50	47217P	A47217	1	BEARING CAP - FINE DOFFER ADJUSMENT HOUSING PLUG