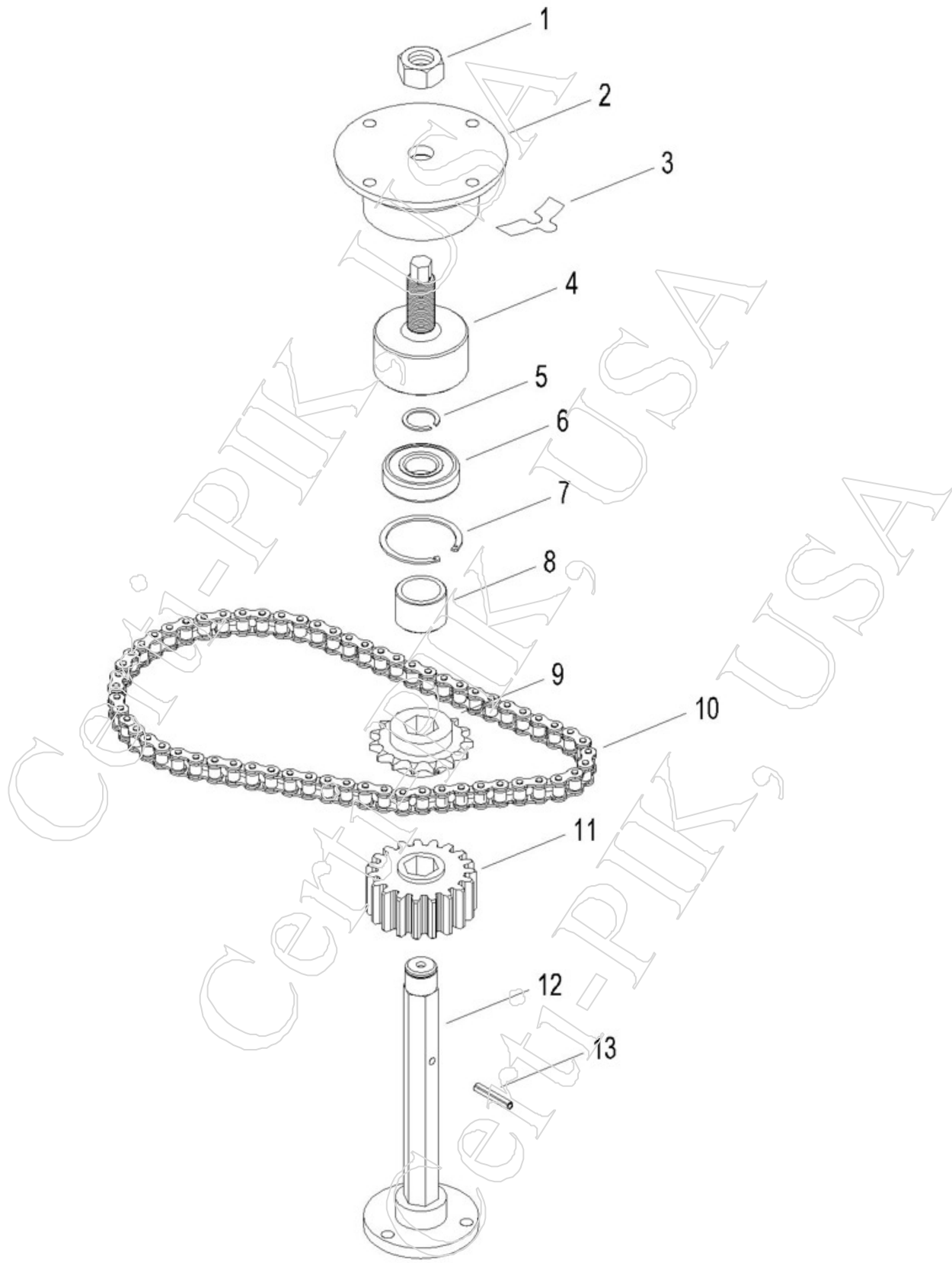


John Deere Upper Dofter Adjustment Housing and Sprockets Assembly



John Deere Upper Doffer Adjustment Housing and Sprockets Assembly

30-6

| Item | Part | OEMPart | Qty | Desc |
|-------------|-------------|----------------|------------|---|
| 1.1 | 00852P | 14H852 | 1 | NUT - 7/8 - HEX (9900-9965) |
| 1.2 | 77146P | N277146 | 1 | PRO UPPER DOFFER ADJUSTMENT NUT - M24 (9970-7760) |
| 2.1 | 14205 | N114205 | 1 | HOUSING - UPPER DOFFER ADJUSTMENT (9900-9965) (ILL.) |
| 2.2 | 75853 | N275853 | 1 | PRO UPPER DOFFER ADJUSTMENT HOUSING (9970-7760) |
| 3 | 34164P | N34164 | AR | SHIM - HOUSING |
| 4.1 | 95284 | N195284 | 1 | ADJUSTER (9900-9965) (ILL.) |
| 4.2 | 75743 | N375743 | 1 | PRO DOFFER ADJUSTER (9970-7760) |
| 5 | 43026P | P43026 | 1 | SNAP RING (9900-7760) |
| 6 | 09467P | JD9467 | 1 | BEARING - UPPER DOFFER (9900-7760) / PRO LOWER IDLER |
| 7 | 23156P | N123156 | 1 | SNAP RING (9900-7760) |
| 8.1 | 95726 | N195726 | 1 | SPACER - (9935-9965 IN-LINE ONLY) |
| 8.2 | 77150 | N277150 | 1 | PRO UPPER DOFFER SPACER (9970-7760) |
| 9 | 90918 | N190918 | 1 | SPROCKET - CHAIN SPROCKET (9910-9965 CONV. ONLY) |
| 10.1 | 13170 | AN113170 | 1 | LINK CHAIN - DOFFER DRIVE, 62 LINKS, 12-BAR (9900-9965) |
| 10.2 | 13171 | AN113171 | 1 | LINK CHAIN - DOFFER DRIVE, 75 LINKS, 16-BAR (9900-9910) |
| 11.1 | 97456 | N197456 | 1 | GEAR - SPUR (9935-9965 IN-LINE ONLY) 19 TOOTH |
| 11.2 | 73954 | N273954 | NA | PRO UPPER DOFFER SPUR GEAR - 20 TOOTH (9970-7760) |
| 12.1 | 90169 | AN190169 | 1 | SHAFT - HEX DOFFER DRIVE (9900-9965) (ILL.) |
| 12.2 | 73484 | AN273484 | 1 | PRO HEX DOFFER DRIVE (9970-7760) |
| 13.1 | 00316P | 34H316 | 1 | PIN - 1/4 X 1-1/2 SPRING PIN (9900-9965) |
| 13.2 | 00385P | 34H385 | 1 | PIN - 1/4 X 1-3/4 SPRING PIN (PRO) |