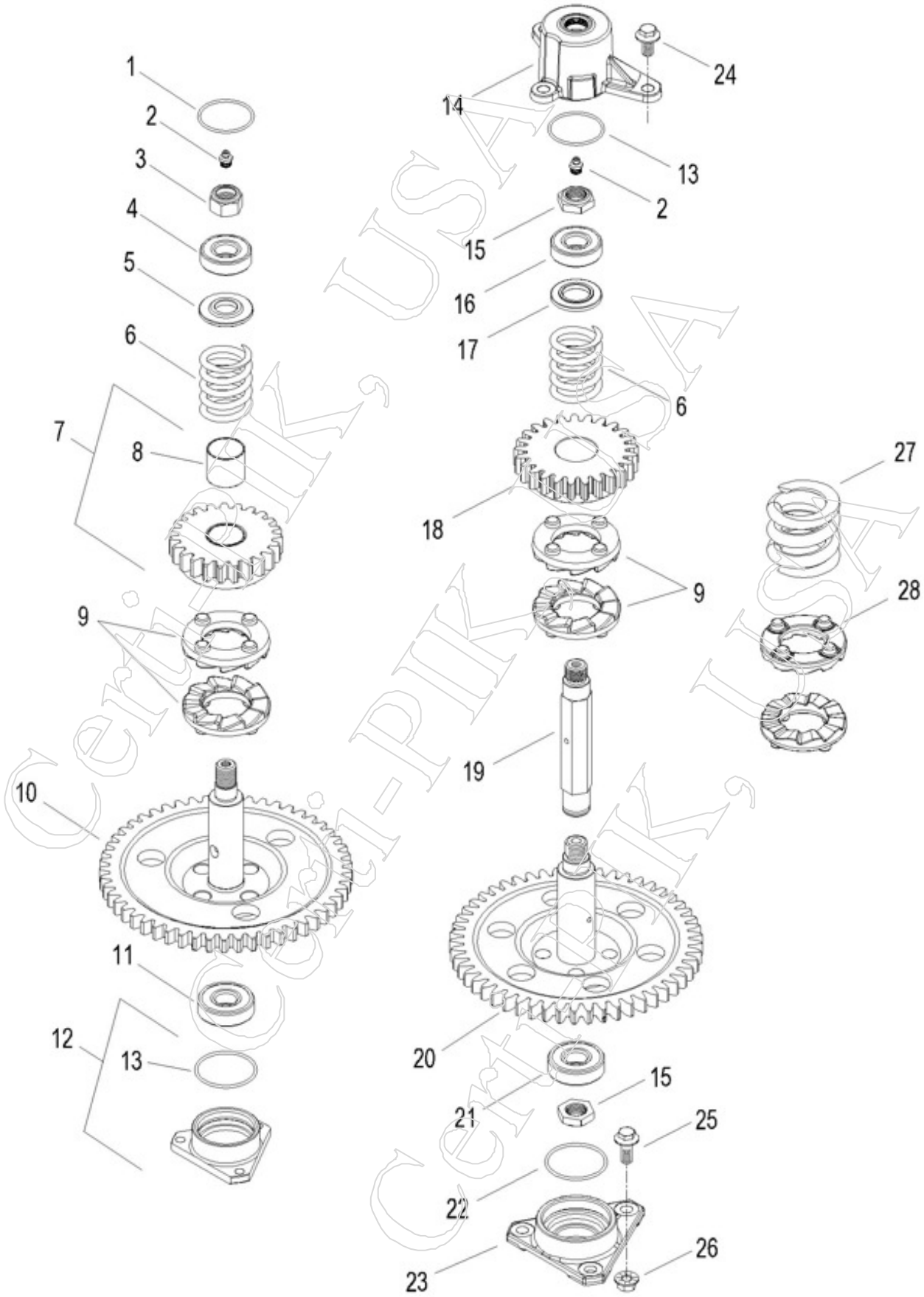


John Deere Idler Gear Assy



<u>Item</u>	<u>Part</u>	<u>OEMPart</u>	<u>Qty</u>	<u>Desc</u>
1	03690P	B3690R	1	O-RING - (9965) UPPER IDLER BRG
2	07759P	JD7759	1	LUBE FITTING - 1/8"
3	01345	N101345	1	NUT - 3/4 UNF - NYLON LOCK (ALL MODELS 9900-9965) REPLACES H34753
4	07142P	JD7142	1	BALL BEARING - TOP IDLER GEAR (9900-9965)
5	10133	N110133	1	WASHER - IDLER GEAR SPRING WASHER (9900-9965)
6	31738	N131738	1	SPRING - (.244 WIRE) 5 COIL (9900-CP690)
7	93393	AN193393	1	SPUR GEAR - 23T, IDLER-GROUND DRIVE (9960) - INCLUDES #01713P BUSHING
8	01713P	L1713C	NA	BUSHING - (9900-9965)
9.1	90954	N190954	1	SLIP CLUTCH - R.H.(SOLD IN PAIRS ONLY) (9900-CP690 IDLER GEAR APPLICATION)
9.2	90955	N190955	1	SLIP CLUTCH - L.H. (SOLD IN PAIRS ONLY) (9910-9965 CONV. IDLER GEAR APPLICATION)
10.1	10124G	AN110124	1	GEAR - IDLER (9900-9950 CONV.)
10.2	72285	AN272285	1	GEAR - IDLER (9935, 9960-9965 IN-LINE)
11	09324P	JD9324	1	BALL BEARING - BOTTOM IDLER GEAR (9900-9965)
12.1	99063	N199063	1	STEEL HOUSING - LOWER IDLER GEAR (9960-9965 IN-LINE), MACHINED FROM STEEL, SUBS OEM ALUMINUM STYLE (INCLUDES 1x #13: #40708P) (ILL.)
12.2	10137	N110137	1	HOUSING - LOWER IDLER GEAR (9900-9950 CONV.), MACHINED FROM STEEL
13	40708P	U40708	1	O-RING - (LOWER HOUSING: 9960-65 IN-LINE, UPPER HOUSING: 9935-7760 PRO)
14	71737	N371737	1	STEEL HOUSING - UPPER IDLER (9935, 9970-CP690 PRO)
15	75033P	N275033	1	NUT - M20 - NYLON LOCK (9935, 9970-CP690 PRO)
16	09321P	JD9321	1	BALL BEARING - UPPER IDLER (9935, 9970-7760 PRO)
17	78401	N278401	1	WASHER - IDLER GEAR SPRING WASHER (9970-CP690 PRO)
18	73468	AN273468	NA	SPUR GEAR - 25T, IDLER-GROUND DRIVE (9970-CP690 PRO)
19	76291	N276291	1	DRIVE SHAFT - HEX - IDLER GEAR (9935, 9970-CP690 PRO)
20.1	74017	N274017	1	GEAR - IDLER - 12 BAR, (9935, 9970-CP690 PRO) - (REPLACES OEM PARTS:#N274017, #N276291, & #N274013) INCLUDES 1x #75033P BOTTOM NUT
20.2	74016	N274016	1	GEAR - IDLER - 16 BAR, (9976-CP690) - (REPLACES OEM PARTS:#N274016, #N276291, & #N274013) INCLUDES 1x #75033P BOTTOM NUT
21	09467P	JD9467	1	BEARING - UPPER DOFFER (9900-7760) / PRO LOWER IDLER
22	43518P	M43518	1	O-RING - LOWER IDLER (9935, 9970-CP690 PRO)
23	71736	N371736	1	STEEL HOUSING - LOWER IDLER (9935, 9970-CP690 PRO)
24	75620P	N275620	1	BOLT - M10 X 20 - SERR HEX FLANGE - GD 8
25	07785P	19M7785	1	BOLT - M10 X 25 - SMOOTH HEX FLANGE
26	63526P	E63526	1	NUT - M10 - SERR HEX FLANGE
27	96960	N196960	1	SPRING - COMPRESSION - (.50 WIRE) 4 COIL - LOWER GEAR CASE HUB
28	99180	N199180	1	JD - SLIP CLUTCH (SOLD IN PAIRS ONLY) LOWER GEAR CASE = ALL 9935, 9960 - CP690: CONV, IN-LINE & PRO UNITS, UNIT DRIVE = 9910 - 9950 , (2x 99180 = 1x AN274314)