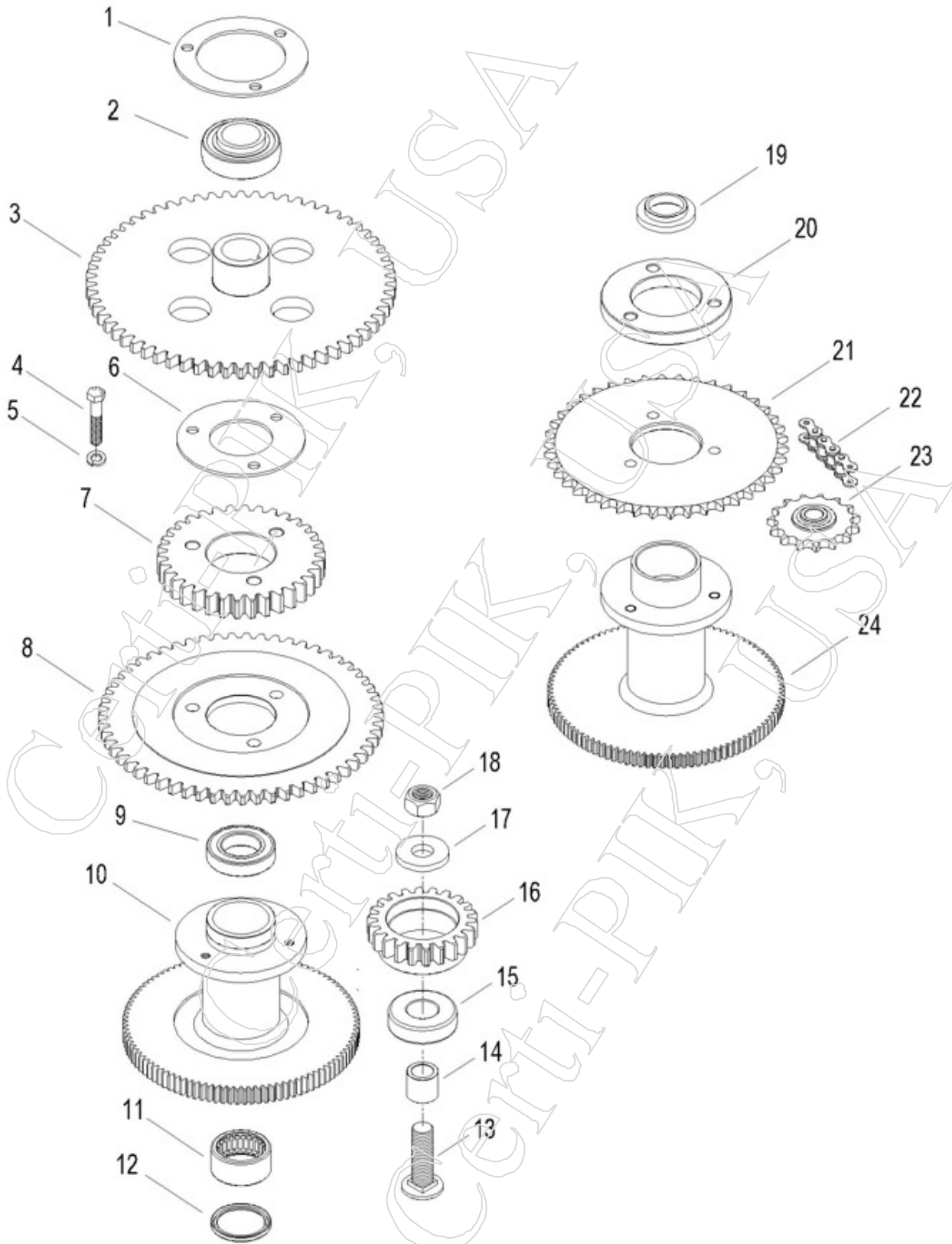


John Deere Upper Drum Drive Assy



<u>Item</u>	<u>Part</u>	<u>OEMPart</u>	<u>Qty</u>	<u>Desc</u>
1	96507	N196507	1	RING - BEARING (9935, 9960-9965 IN-LINE)
2	09209P	JD9209	1	BALL BEARING - UPPER DRUM COVER (IN-LINE & PRO MACHINES)
3	94104	AN194104	1	SPUR GEAR - 64T DRUM-GROUND DRIVE, (9930, 9960)
4	03065P	19H3065	3	BOLT - 3/8 X 2" HEX HEAD
5	00304P	12H304	3	WASHER - 3/8" LOCK
6	96594	N196594	1	WASHER
7	99039P	N199039	1	SPUR GEAR - 34T, DRUM-SPINDLE DRIVE (9930, 9960-9965)
8	97457P	N197457	1	SPUR GEAR - 59T, DRUM-DOFFER DRIVE, (9960)
9	09323P	JD9323	1	BALL BEARING - UPPER DRUM DRIVE GEAR (9930-35, 9965-CP690)
10	72096	AN272096	1	SUN GEAR - (9935, 9960-9965 IN-LINE) 12 BAR WITH 11/16" THICK CUPPED GEAR, INCLUDES 1x BEARING #09813P & 1x SEAL #01206P
11	08823P	JD8823	1	NEEDLE BEARING - SUN GEAR
12	01206P	L1206N	1	SEAL - SUN GEAR (9900-9965)
13	02339	03H2339	1	BOLT - 3/4" X 2-1/2" CARRIAGE BOLT
14	95727	N195727	1	SPACER - DOFFER DRIVE, (9935, 9960-9965 IN-LINE)
15	08674P	JD8674	1	BALL BEARING - DOFFER DRIVE (9935, 9960-9965 IN-LINE) - (CALL FOR AVAILABILITY)
16	97052P	N197052	1	SPUR GEAR - 22T, DOFFER DRIVE
17	01402P	24H1402	1	WASHER - DOFFER DRIVE (9935, 9960-9965 IN-LINE)
18	40016P	K40016	1	NUT - 3/4" - TOP LOCK - DOFFER DRIVE (9935, 9960-9965 IN-LINE)
19	15573	N115573	1	BUSHING - (9900-9950 CONV.)
20	14173	N114173	1	SPACER - (9900-9950 CONV.)
21	14175	N114175	1	SPROCKET - 42T, DRUM, CHAIN DOFFER-DRIVE, (9900-9950 CONV.)
22.1	13170	AN113170	1	LINK CHAIN - DOFFER DRIVE, 62 LINKS, 12-BAR (9900-9965)
22.2	13171	AN113171	1	LINK CHAIN - DOFFER DRIVE, 75 LINKS, 16-BAR (9900-9910)
23	15321P	AN115321	1	SPROCKET - DOFFER DRIVE CHAIN TIGHTENER, CONV. UNITS (9900-9950 CONV.)
24.1	13616	AN113616	1	SUN GEAR - (9900-9910) 16 BAR WITH 9/16" THICK GEAR, 1/8"LUBE HOLE & FITTING 00558P, INCLUDES 2x BEARING #09813P & 1x SEAL #01206P
24.2	74460	AN274460	1	SUN GEAR - (9900-9950) 12 BAR WITH 9/16" THICK GEAR, 1/8"LUBE HOLE & FITTING 00558P, INCLUDES 2x BEARING #09813P & 1x SEAL #01206P