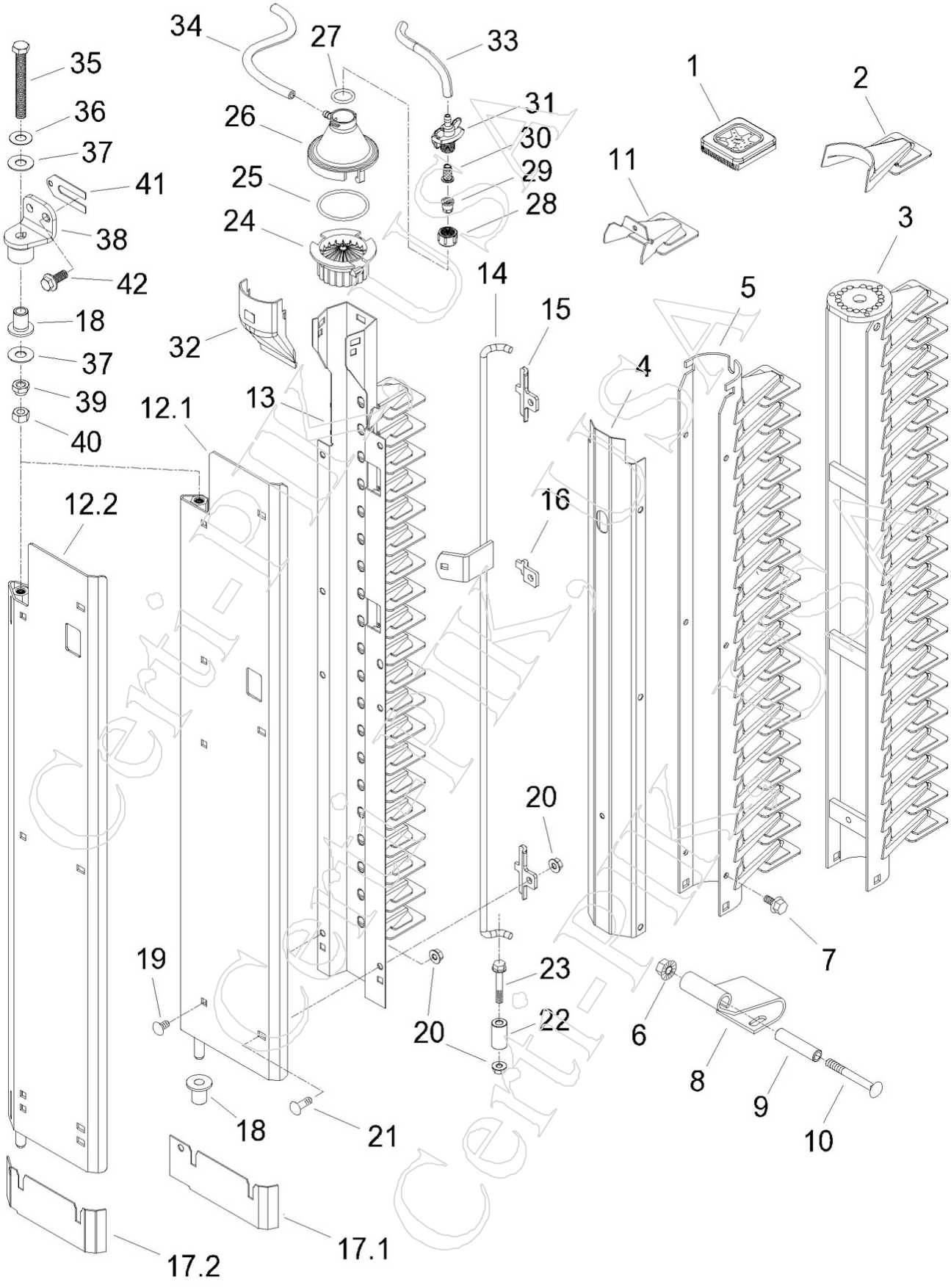
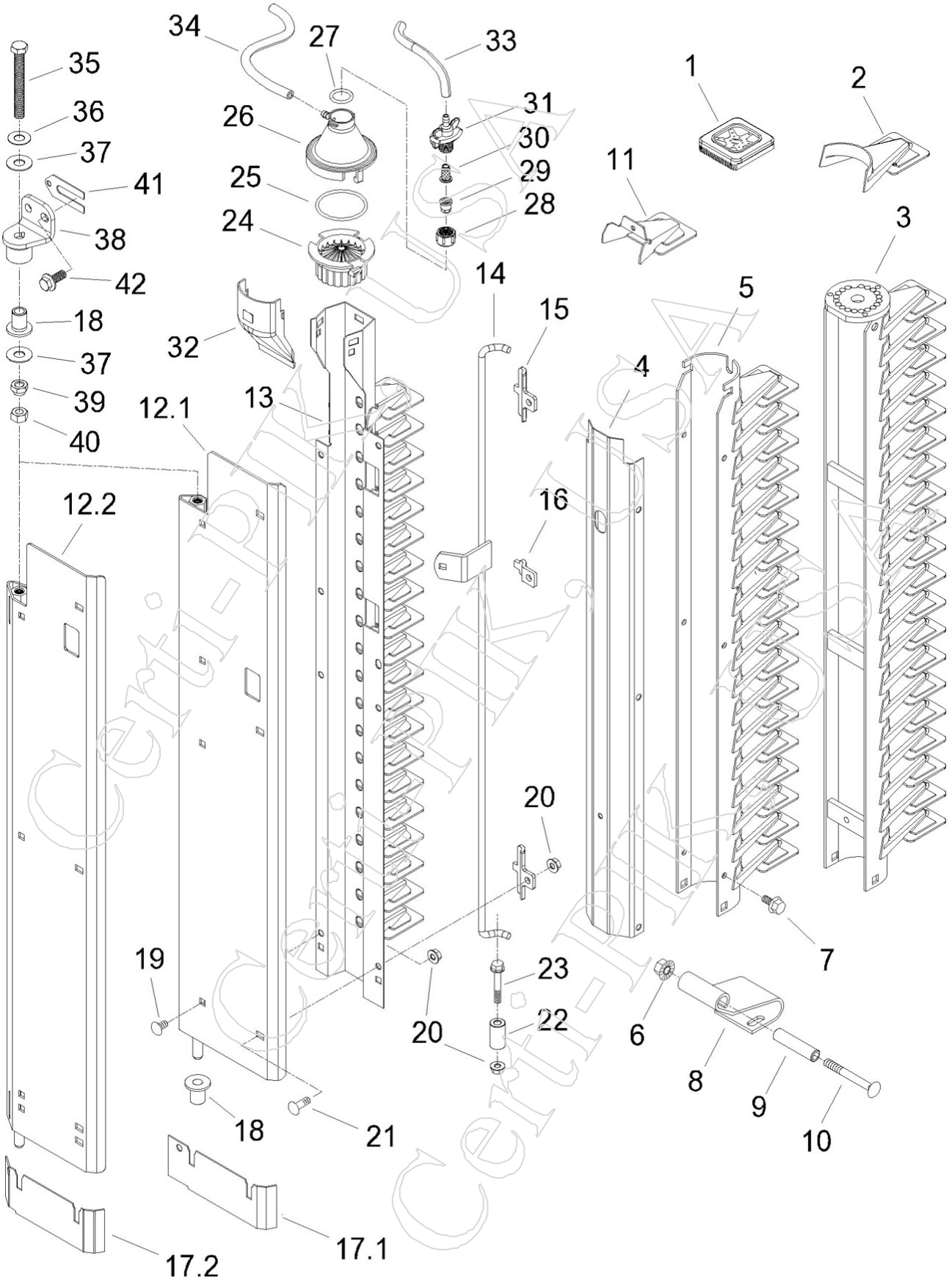


John Deere Moistener Column



Item	Part	OEMPart	Qty	Desc
1	75607UPRM	N275607	AR	MOISTENER PAD - PREMIUM URETHANE (9900-CP690)
2	32795	AN32795	AR	ARM - REPLACEMENT MOISTENER PAD ARM (9900-9965 CONV & IN-LINE)
3	33083	AN33083	1	MOISTENER COLUMN - 20 SPINDLE (9900-9950 CONV.)
4	98776	N198776	1	CHANNEL - 18 SPINDLE (9960-9965 IN-LINE)
5	94704	AN194704	1	MOISTENER COLUMN - 18 SPINDLE (9960-9965 IN-LINE)
6	10215P	N10215	1	NUT - 3/8 - SERR HEX FLANGE
7	76152P	N85025	6	SCREW - M8 X 16mm - TORX DRIVE T40 - THREAD FORMING
8	95655	N195655	1	BASE (9900-9965 CONV & IN-ILNE)
9	16128	N116128	1	BUSHING - 13/32 X 5/8 X 2-5/8 (9900-9965 CONV & IN-LINE)
10	32109P	03H2109	1	BOLT - 3/8 X 3-1/4" GRADE 5 CARRIAGE
11	73816	AN273816	AR	ARM - PRO- REPLACEMENT MOISTENER PAD ARM
12.1	74660	AN274660	1	SUPPORT - PRO 16 FRONT DOOR (9976-CP690) (ILL.)
12.2	14424	AKK14424	1	SUPPORT - OFFSET OUT - PRO-16 REAR DOOR (9935-CP690) (REPLACES #AN273517)
13.1	79610	AN279610	1	MOISTENER COLUMN - PRO-12 18 SPINDLE - PHASE 3 EXTRA HEAVY DUTY (9970-CP690)
13.2	79609	AN279609	1	MOISTENER COLUMN - PRO-16 20 SPINDLE - PHASE 3 EXTRA HEAVY DUTY (9976-CP690)
14.1	74659	AN274659	1	MOISTENER DOOR LATCH - PRO 16 FRONT DRUM (9976-CP690) (ILL.)
14.2	73512	AN273512	1	MOISTENER DOOR LATCH - PRO 16 REAR DRUM (9976-CP690)
14.3	74513	AN274513	1	MOISTENER DOOR LATCH - PRO 12 FRONT & REAR DRUM (9970-CP690)
15	75392PRM	KK10725	2	CLIP - PRO-MOISTENER COLUMN - EXTENDED (9935-CP690)
16	75392	N275392	1	CLIP - HOLD-DOWN - PRO (9935-CP690)
17.1	75882	N275882	1	ANGLE - PRO-MOISTENER COLUMN, REAR (9935-7760) USED ON DOOR #AN273517
17.2	20615	KK20615	1	ANGLE - OFFSET OUT - PRO-MOISTENER COLUMN, REAR (9935-CP690) (REPLACES #N275882) USED ON DOOR #14424
18	77000	N277000	1	BUSHING - JD PRO MOISTENER SUPPORT DOOR - (USED ON TOP AND BOTTOM) (9935-CP690)
19	07183P	03M7183	AR	BOLT - M8 X 16 ROUND HEAD - SQR NECK
20	63525P	E63525	AR	NUT - M8 - SERR HEX FLANGE
21	07186P	03M7186	AR	BOLT - M8 X 30 ROUND HEAD - SQR NECK
22	74880	N374880	2	SPACER - PRO MOISTENER COLUMN STOP SPACER
23	08319P	19M8319	2	BOLT - M8 X 50 - SMOOTH HEX FLANGE
24	76746	N276746	1	DISTRIBUTOR PLATE - BLACK
25	01870P	F1870R	1	O-RING 2-1/4"
26	76747	N276747	1	MOISTENER COVER - CLEAR
27	00495P	R495R	1	O-RING 7/8"
28	38027	PM38027	1	CAP - NOZZLE SPRAYER - NUT
29	12283	B12283	1	NOZZLE TIP - BRASS - CONE NO.3
30	11379	AB11379	1	STRAINER - 100 MESH
31	76745	N276745	1	HOSE FITTING
32	76748	N276748	1	DISTRIBUTOR SEAL COVER SHIELD - BLACK
33	94902	N194902	1	TUBING - 7/16" CLEAR - 1/4" ID - MOISTENER COLUMN PRESSURE LINES (SOLD PER FOOT AS NEEDED - NOT PRE-FORMED)
34	76795	N276795	1	TUBING - 7/16" CLEAR GREEN - 1/4" ID - MOISTENER COLUMN FLUSH WATER LINES (SOLD PER FOOT AS NEEDED - NOT PRE-FORMED)
35	07590	19M7590	1	BOLT - M12 X 100 FULL THREAD - HEX HEAD - GD 8.8
36	68012P	N168012	1	WASHER - DISC SPRING - 1.102" X .480"

John Deere Moistener Column



John Deere Moistener Column

40-1

<u>Item</u>	<u>Part</u>	<u>OEMPart</u>	<u>Qty</u>	<u>Desc</u>
37	01162P	24H1162	1	WASHER - 1.25 X .53 X .06
38	75754	N375754	1	ADJUSTER - PRO MOISTNER COLUMN TOP BRACKET
39	31867P	A31867	1	NUT - M12 - TOP LOCK HEX
40	07275P	14M7275	1	NUT - M12 - HEX
41	76092	N276092	1	SHIM - PRO MOISTENER COLUMN TOP ADJUSTER BRACKET
42	07785P	19M7785	1	BOLT - M10 X 25 - SMOOTH HEX FLANGE