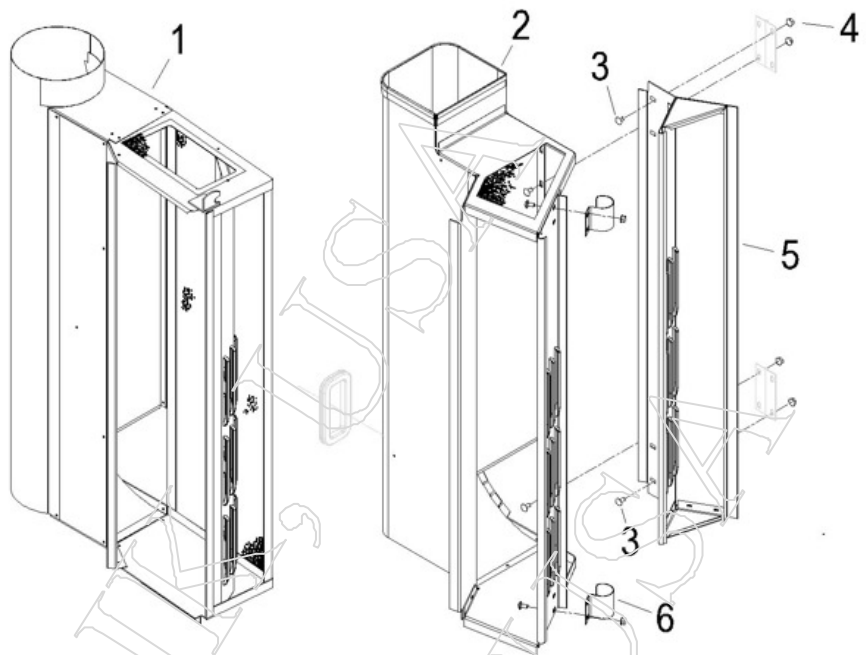
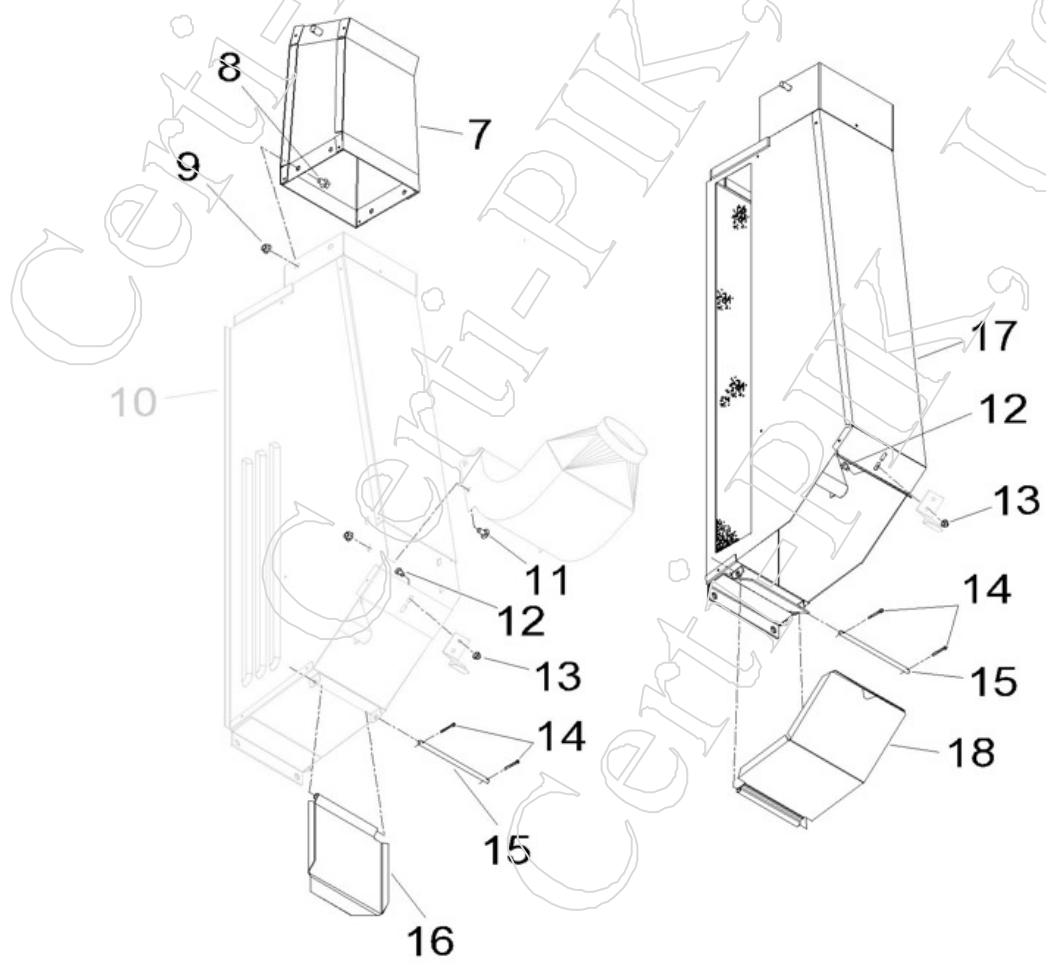


# John Deere 9900-9930 Front Suction Door Parts (Hi-Drum)



# John Deere 9900-9950 Rear Suction Door Parts (Hi-Drum)



**John Deere Front & Rear Suction Door Parts (Hi Drum)**

50-1, 50-2

<u>Item</u>	<u>Part</u>	<u>OEMPart</u>	<u>Qty</u>	<u>Desc</u>
1.1	90796R	AN190796	1	DOOR - R.H. FRONT SUCTION DOOR (ILL.) (9900-9910)
1.2	90797L	AN190797	1	DOOR - L.H. FRONT SUCTION DOOR (9900-9910)
2.1	91116R	AN191116	1	DOOR - R.H. FRONT H-D SUCTION DOOR (ILL.) (9920-9930)
2.2	91117L	AN191117	1	DOOR - L.H. FRONT H-D SUCTION DOOR (9920-9930)
3	01893P	03H1893	1	BOLT - 1/4 X 1/2" CARRIAGE BOLT
4	10217P	N10217	AR	NUT - 1/4 - SERR HEX FLANGE
5.1	91122R	AN191122	1	DOOR - R.H. CLEAN-OUT (ILL.) (9920-9930)
5.2	91123L	AN191123	1	DOOR - L.H. CLEAN-OUT (9920-9930)
6	92933	N192933	2	LATCH - (9920-9930) . .
7.1	92718R	AN192718	1	TRANSITION - R.H. AIR DUCT TRANSITION (9900-9930)
7.2	92719L	AN192719	1	TRANSITION - L.H. AIR DUCT TRANSITION (9900-9930)
8	71292P	N71292	4	BOLT - 5/16 X 1/2" HEX HEAD FLANGE BOLT
9	10213P	N10213	AR	NUT - 5/16 - SERR HEX FLANGE
10.1	14216R	AN114216	NA	DOOR - R.H. REAR H-D SUCTION DOOR (ILL.) (9900-9930)
10.2	14217L	AN114217	NA	DOOR - L.H. REAR H-D SUCTION DOOR (9900-9930)
11	01774P	03H1774	4	BOLT - 5/16 X 5/8" CARRIAGE
12	14820P	N14820	2	BOLT - 1/4 X 1/2" - SERR HEX FLANGE
13	10217P	N10217	2	NUT - 1/4 - SERR HEX FLANGE
14	00206P	11H206	2	PIN - 3/32 X 3/4 COTTER PIN
15	34602	N34602	1	PIN - CLEAN-OUT DOOR PIN
16	18875	N118875	1	DOOR - CLEAN-OUT (9900-9930)
17.1	14826R	AN114826	1	DOOR - R.H. REAR H-D SUCTION DOOR (ILL.) (9940-9950)
17.2	14827L	AN114827	1	DOOR - L.H. REAR H-D SUCTION DOOR (9940-9950)
18	90589	AN190589	1	DOOR - CLEAN-OUT, CONV. (9940-9950)