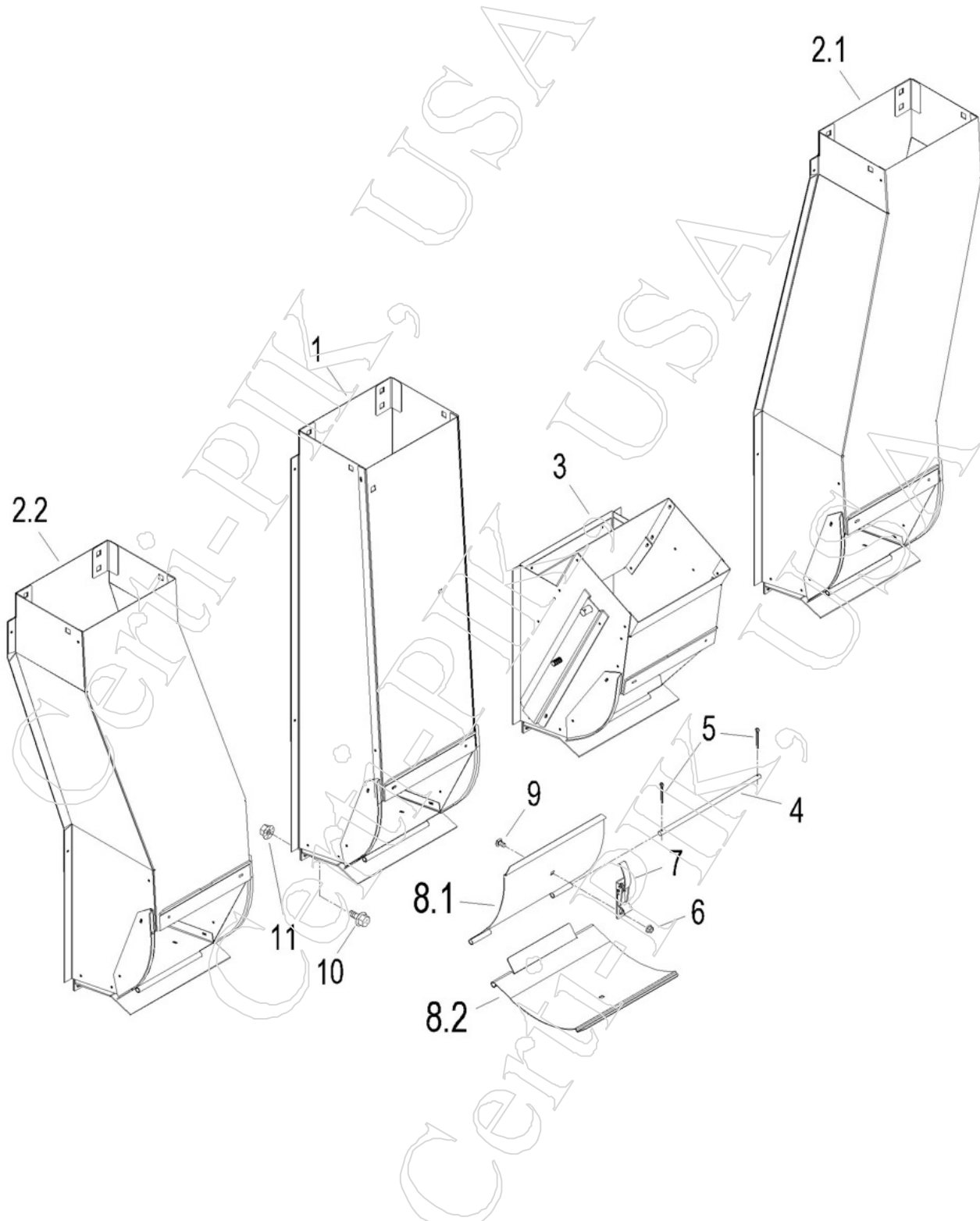


John Deere 9935-65 IN-LINE Suction Door Parts



John Deere 9935-65 In-Line Suction Door Parts

50-3

<u>Item</u>	<u>Part</u>	<u>OEMPart</u>	<u>Qty</u>	<u>Desc</u>
1	72383	AN272383	1	SUCTION DOOR - STRAIGHT (TALL) DOOR ASSEMBLY - 9960-9965 IN-LINE, (INCLUDES ITEMS #4 THRU #9)
2.1	95147	AN195147	1	SUCTION DOOR - OFFSET RIGHT 5" - DOOR ASSEMBLY - 9960-9965 IN-LINE - 38 & 40" ROWS, (INCLUDES ITEMS #4 THRU #9)
2.2	95147-X	<----- OEM	1	SUCTION DOOR - OFFSET LEFT 5" - DOOR ASSEMBLY - 9960-9965 IN-LINE - USED ON ROW 1: CONVERTING TO 36" ROWS FROM 38" (OPPOSITE OF PART #95147) (INCLUDES ITEMS #4 THRU #9)
3	93420	AN193420	1	SUCTION DOOR - STRAIGHT (SHORT) DOOR ASSEMBLY - 9960-9965 IN-LINE, (INCLUDES ITEMS #4 THRU #9)
4	97195	N197195	1	PIN - SUCTION DOOR (9935-CP690 IN-LINE & PRO)
5	00206P	11H206	2	PIN - 3/32 X 3/4 COTTER PIN
6	10217P	N10217	1	NUT - 1/4 - SERR HEX FLANGE
7	94090	AN194090	1	LATCH - SUCTION DOOR (IN-LINE & PRO)
8.1	99131	N199131	1	SERVICE DOOR (9935-CP690) IN-LINE & PRO
8.2	AP99131	AP99131	1	- ANTI PLUG - SERVICE DOOR (9935-CP690) IN-LINE & PRO - TAB TO PREVENT COTTON FROM GETTING CAUGHT IN HINGE
9	01893P	03H1893	1	BOLT - 1/4 X 1/2" CARRIAGE BOLT
10	14822P	N14822	AR	BOLT - 3/8 X 3/4" - SERR HEX FLANGE
11	10215P	N10215	AR	NUT - 3/8 - SERR HEX FLANGE