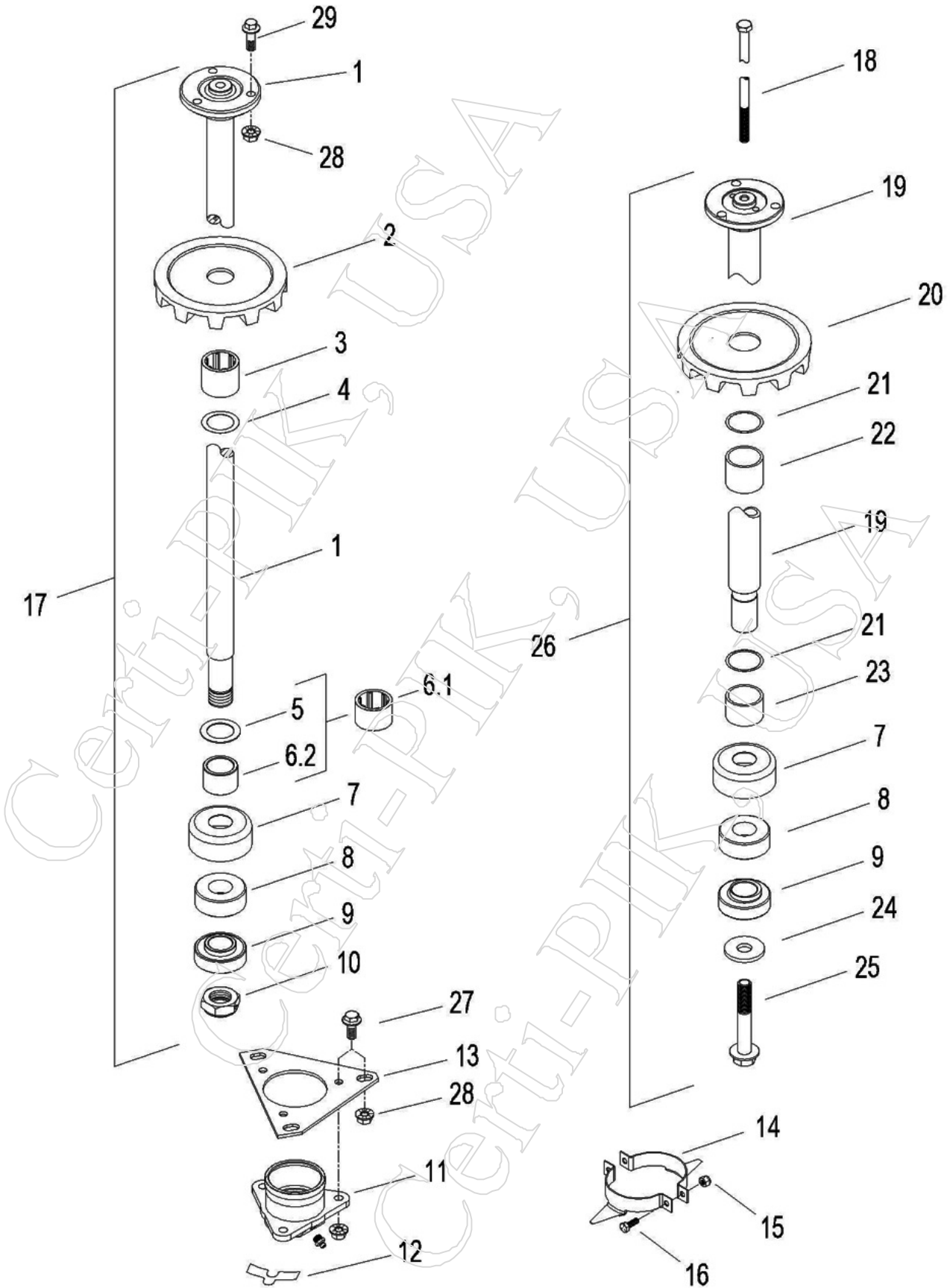


Made to fit John Deere Dofer and Lower Housing Assembly

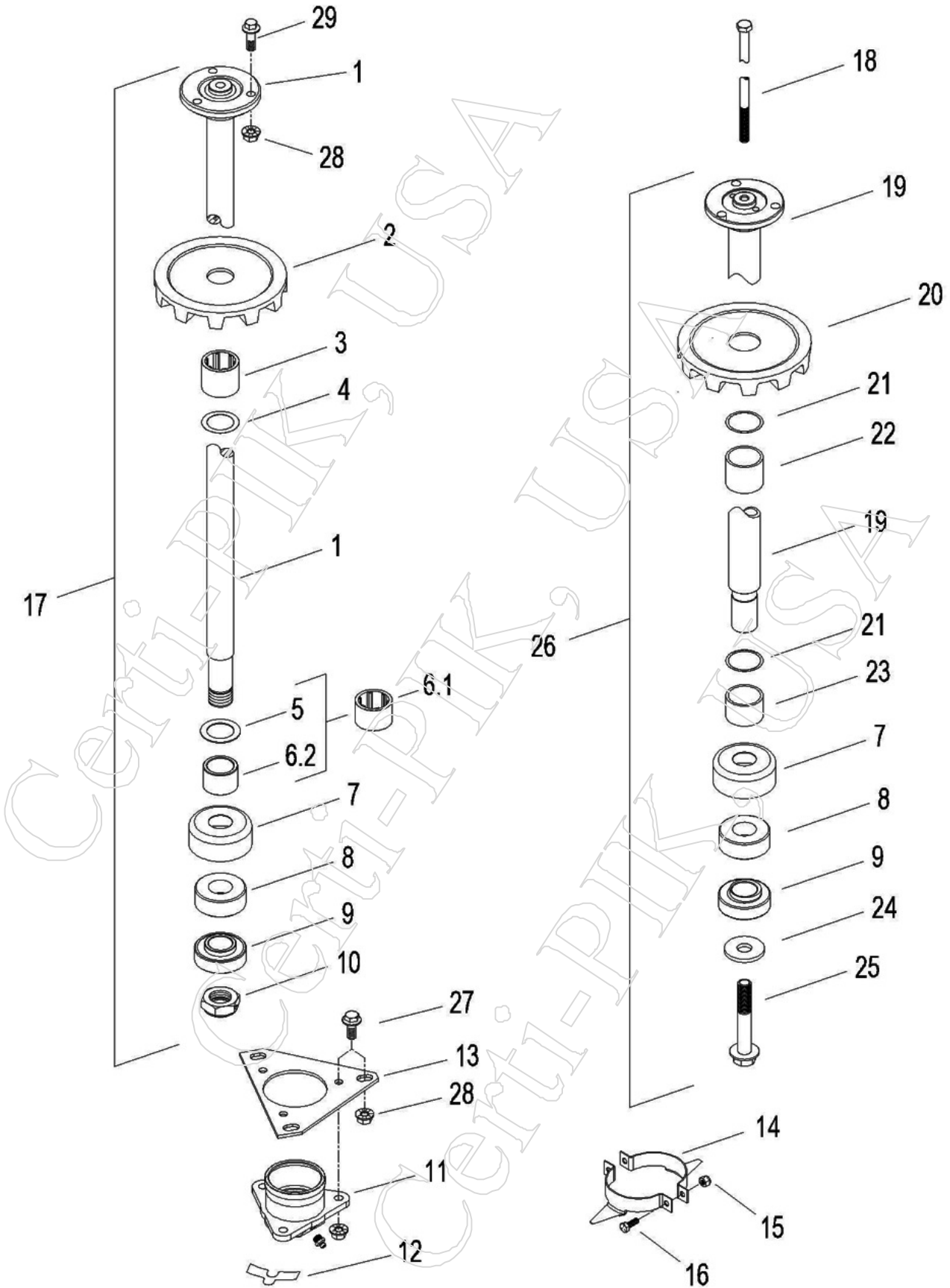


Made to fit John Deere Doffer and Lower Housing Assembly

30-7

Item	Part	OEMPart	Qty	Desc
1.1	93262	AN193262	1	DOFFER SHAFT - 14 SPINDLE
1.2	93323	AN193323	1	DOFFER SHAFT - 18 SPINDLE
1.3	93263	AN193263	NA	USE #73701, OR #16193 - DOFFER SHAFT, 20 SPINDLE
1.4	74506	AN274506	1	DOFFER SHAFT - PRO-12 18 SPINDLE (9970-CP690 P12)
1.5	73701	AN273701	1	DOFFER SHAFT - PRO-16 20 SPINDLE (9976-CP690 P12)
2.1	72152PRM	AN272152	AR	DOFFER - PREMIUM URETHANE (9900-CP690 P12)
2.2	72152EP	AN272152	AR	DOFFER - EUROPARTS - URETHANE (9900-CP690 P12)
3	75381HD	N275381	AR	DOFFER SPACER - LONG - SPLINED CENTER - HEAVY DUTY - (REPLACES N275381 & N197107) (FITS ALL MODELS 9900-CP690 P12)
4.1	03197P	L3197N	AR	SHIM - DOFFER, .010" THICK - (9900-CP690 P12)
4.2	03197P-20	<-----OEM	AR	SHIM - DOFFER - .020" THICK
5	01633P	24H1633	1	WASHER - 1-17/64 X 1-7/8 X .048" (9930-9996), NOT 9960-9965 IN-LINE
6.1	80569	N380569	1	SHORT DOFFER SPACER - SPLINED (REPLACES 06133P & 98746)
6.2	98746	N198746	1	SPACER - SHORT SPACER (9900-9996 W/ #01633P) : (#01633P NOT USED ON 9960 & 9965 IN-LINE)
7.1	91302	N191302	1	DOFFER CAP - (9900-9965 CONV.& IN-ILNE)
7.2	75471	N275471	1	DOFFER CAP - PRO (9970-CP770)
8.1	90913	N190913	1	SPACER - LOWER DOFFER BEARING SPACER, (9910-9965 CONV.)
8.2	96834	N196834	1	SPACER - LOWER DOFFER BEARING SPACER, (9935-9965 IN-LINE)
8.3	10874	N410874	1	SPACER - LOWER DOFFER BEARING SPACER, (PRO 9935-CP770) - REPLACES # N275350, & N371318
9.1	10123P	JD10123	1	BALL BEARING - LOWER DOFFER (9900-9965)
9.2	75022P	AN275022	1	BEARING - LOWER DOFFER -PRO- (9935, 9970-CP770)
10.1	82619	H82619	1	NUT - 1-1/8 - NYLON LOCK (9900-9965)
10.2	75038P	N275038	1	NUT - PRO - M30 NYLON LOCK NUT
11	73953	AN273953	1	LOWER DOFFER HOUSING (9900-CP770) INCLUDES 1x 1/8" LUBE FITTING #07759P
12	75931P	N275931	AR	SHIM - HOUSING - REPLACES #N34164
13.1	93795	N193795	1	PLATE - DOFFER BASE PLATE (9900-9965) (USE 3x #10124P & 3x #10215P) (ILL.)
13.2	76703	N276703	1	DOFFER BASE PLATE - PRO (9935, 9970-CP770)
14	72482	N272482	2	VINE CUTTER - 2 PER DOFFER SHAFT (9900-CP690) (SOLD IN PAIRS ONLY) INCLUDES ATTACHING HARDWARE: 2x 14820PV - 1/4 X 3/4" HEX BOLT & 2x 10217PV - 1/4" LOCK NUT
15	10217PV	N10217	2	NUT - 1/4 - NYLON LOCK (2 RQD.)
16	14820PV	N14820	2	BOLT - 1/4 X 3/4" HEX BOLT (2 RQD.)
17.1	72224-IL	AN272224	1	COMPLETE 18 SPINDLE - URETHANE DOFFER ASSEMBLY - (MODELS 9935, 9960 & 9965 IN-LINE ONLY) - (INCLUDES ITEMS 1-10, NOT 5) *GROUND AND READY TO INSTALL *
17.2	72225	AN272225	NA	(REPAVED BY PART #73445, OR #17562) - COMPLETE 20 SPINDLE URETHANE DOFFER ASSEMBLY
17.3	74508	AN274508	1	COMPLETE 18 SPINDLE - URETHANE DOFFER ASSEMBLY - (PRO 9970-CP690) - * GROUND AND READY TO INSTALL *
17.4	74508EP	AN274508	1	COMPLETE 18 SPINDLE - URETHANE DOFFER ASSEMBLY * W/ EUROPARTS DOFFERS * (PRO 9970-CP690) - * GROUND AND READY TO INSTALL *
17.5	73445	AN273445	1	COMPLETE 20 SPINDLE - URETHANE DOFFER ASSEMBLY - (PRO 9976-7760) - FITS ALL 20 SPINDLE CONV. AND PRO MACHINES (NOT CP690 - W/ FINE ADJUSTMENT) *GROUND AND READY TO INSTALL*
17.6	73445EP	AN273445	1	COMPLETE 20 SPINDLE - URETHANE DOFFER ASSEMBLY * W/ EUROPARTS DOFFERS * (PRO 9976-7760) - FITS ALL 20 SPINDLE CONV. AND PRO MACHINES (NOT CP690 - W/ FINE ADJUSTMENT) *GROUND AND READY TO INSTALL *
18	10545P	19M10545	1	BOLT - M10 X 280 HEX HEAD - (CP690-CP770) PRO-16

Made to fit John Deere Doffer and Lower Housing Assembly



Made to fit John Deere Doffer and Lower Housing Assembly

30-7

Item	Part	OEMPart	Qty	Desc
19	16193	AKK16193	1	DOFFER SHAFT - (CP690-CP770) PRO-16 - (LARGE DIA HOLLOW SHAFT) 20S - FITS ALL 20 SPINDLE CONV. AND PRO MACHINES
20.1	06038PRM	AN406038	AR	DOFFER - PREMIUM URETHANE (CP690-CP770) - P16 - LARGE HOLE
20.2	06038EP	AN406038	AR	DOFFER - EUROPARTS - URETHANE (CP690-CP770) - P16 - LARGE HOLE
21	00789P	N400789	AR	DOFFER SHIM .010" - (CP690-CP770) PRO-16 - LARGE HOLE
22	15280	KK15280	AR	DOFFER SPACER - LONG - (CP690-CP770) PRO-16 - LARGE HOLE
23	15281	KK15281	1	DOFFER SPACER - SHORT - (CP690-CP770) PRO-16 - LARGE HOLE
24	34803	N134803	1	WASHER - (CP690-CP770) PRO-16
25	07828P	19M7828	1	BOLT - M16 X 100 - SMOOTH HEX FLANGE - (CP690-CP770) PRO-16
26.1	17562	AKK17562	1	COMPLETE 20 SPINDLE - URETHANE DOFFER ASSEMBLY - (CP690-CP770) PRO-16 BALER - (HIGH SPEED) - FITS ALL 20 SPINDLE CONVENTIONAL AND PRO MACHINES *GROUND AND READY TO INSTALL*
26.2	17562EP	AKK17562	1	COMPLETE 20 SPINDLE - URETHANE DOFFER ASSEMBLY * W/ EUROPARTS DOFFERS * (CP690-CP770) PRO-16 BALER - (HIGH SPEED) - FITS ALL 20 SPINDLE CONVENTIONAL AND PRO MACHINES *GROUND AND READY TO INSTALL*
27	75625P	N275625P	6	BOLT - M10 X 25 - SERR HEX FLANGE
28	63526P	E63526	6	NUT - M10 - SERR HEX FLANGE
29	07786P	19M7786	3	BOLT - M10 X 30 - SMOOTH HEX FLANGE