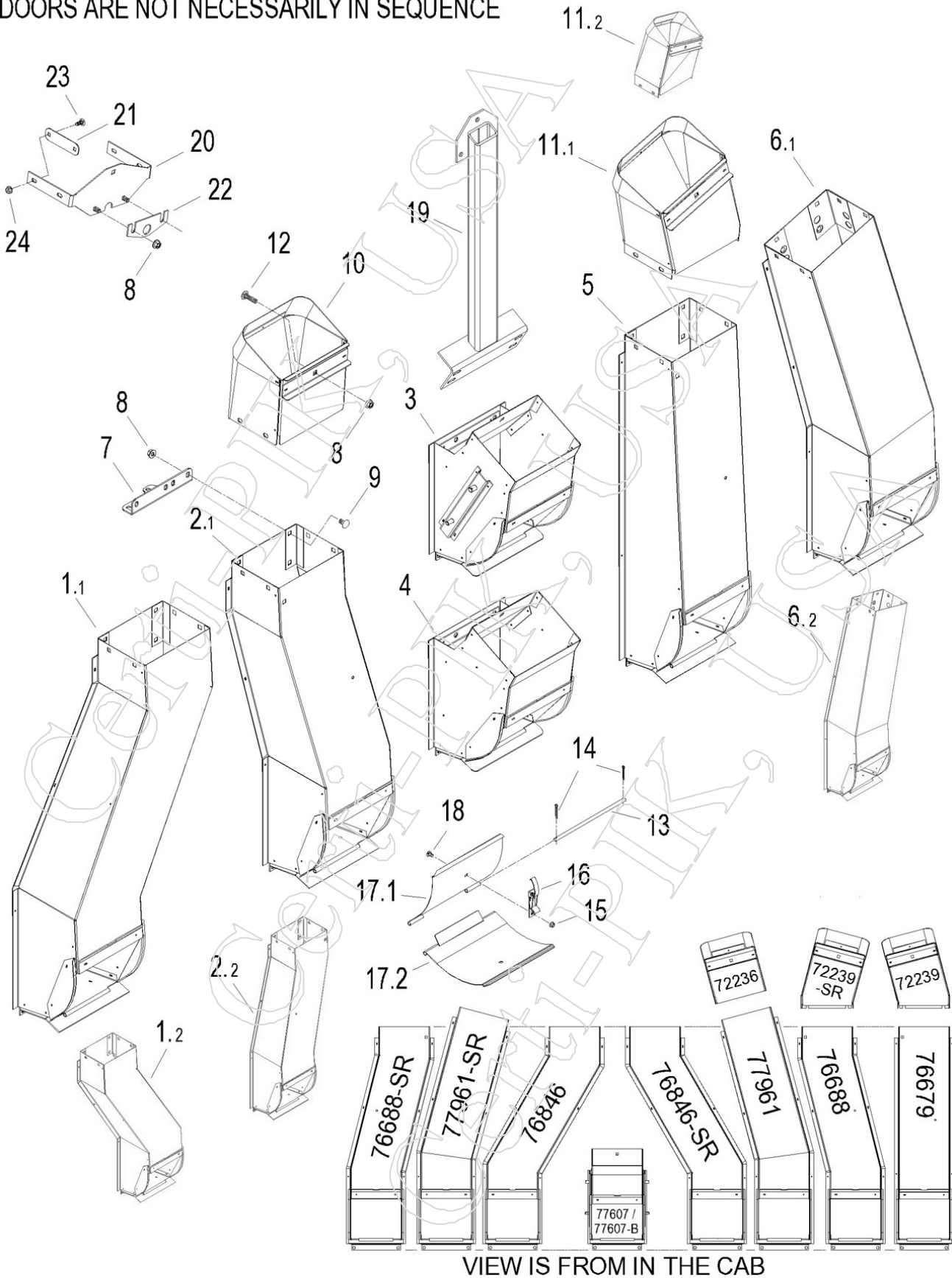


John Deere 9935-CP690 PRO Suction Door Parts

DOORS ARE NOT NECESSARILY IN SEQUENCE



John Deere 9935-CP690 Pro Suction Door Parts

50-4

Item	Part	OEMPart	Qty	Desc
1.1	76846	AN276846	1	SUCTION DOOR - OFFSET RIGHT 11" - INCLUDES ITEMS #13 THRU #18 (USE ON ROW: #2 ON 6 ROW, #1 ON 4 ROW: 30" PRO-16 SKIP-ROW SETUP) (FITS: P-12 OR P-16)
1.2	76846-SR	<-----OEM	1	SKIP ROW SUCTION DOOR - #76846 OFFSET TO THE LEFT 11" - INCLUDES ITEMS #13 THRU #18
2.1	76688	AN276688	1	SUCTION DOOR - OFFSET TO THE LEFT 5" (9986-CP690) : REPLACES #AN273412 (9976) - INCLUDES ITEMS #13 THRU #18
2.2	76688-SR	AN275100	1	SKIP ROW SUCTION DOOR - #76688 OFFSET TO THE RIGHT 5" - INCLUDES ITEMS #13 THRU #18
3	77607-B	AN277607	1	SHORT SUCTION DOOR (W/ BRACKET ON SIDES FOR 30-32" ROWS) - (9986-CP690) : REPLACES #AN272788 (9935, 9970-9976) - INCLUDES ITEMS #13 THRU #18 (10.5" VERTICAL OPENING)
4	77607	AN277607	1	SHORT SUCTION DOOR - (9986-CP690) : REPLACES #AN272788 (9935, 9970-9976) - INCLUDES ITEMS #13 THRU #18 (10.5" VERTICAL OPENING)
5	76679	AN276679	1	STRAIGHT SUCTION DOOR - (9986-CP690) : REPLACES #AN272892 (9935, 9970-9976) - INCLUDES ITEMS #13 THRU #18
6.1	77961	AN277961	1	SUCTION DOOR - BENT TO THE LEFT - PRO 16 - INCLUDES ITEMS #13 THRU #18 (9986-CP690)
6.2	77961-SR	<-----OEM	1	SKIP ROW SUCTION DOOR - #77961 BENT TO THE RIGHT - INCLUDES ITEMS #13 THRU #18
7	78691	N378691	1	ANGLE - PRO SUCTION DOOR
8	63526P	E63526	1	NUT - M10 - SERR HEX FLANGE
9	07190P	03M7190	1	BOLT - M10 X 20 ROUND HEAD - SQR NECK
10	72236	AN272236	1	AIR DUCT TRANSITION OUTER
11.1	72239	AN272239	1	AIR DUCT TRANSITION - BENT TO THE LEFT
11.2	72239-SR	<-----OEM	1	SKIP ROW AIR DUCT TRANSITION - #72239 BENT TO THE RIGHT
12	07194P	03M7194	1	BOLT - M10 X 40 ROUND HEAD - SQR NECK
13	97195	N197195	1	PIN - SUCTION DOOR (9935-CP690 IN-LINE & PRO)
14	00206P	11H206	2	PIN - 3/32 X 3/4 COTTER PIN
15	10217P	N10217	1	NUT - 1/4 - SERR HEX FLANGE
16	94090	AN194090	1	LATCH - SUCTION DOOR (IN-LINE & PRO)
17.1	99131	N199131	1	SERVICE DOOR (9935-CP690) IN-LINE & PRO
17.2	AP99131	AP99131	1	- ANTI PLUG - SERVICE DOOR (9935-CP690) IN-LINE & PRO - TAB TO PREVENT COTTON FROM GETTING CAUGHT IN HINGE
18	01893P	03H1893	1	BOLT - 1/4 X 1/2" CARRIAGE BOLT
19	72893	AN272893	1	POST - INNER SHORT SUCTION DOOR SUPPORT
20	76822	AN276822	1	PIVOT ASSEMBLY - TELESCOPING DUCT (9970-CP690)
21	71826	N371826	1	STRAP - DUCT REINFORCEMENT (9970-CP690)
22	73782	N273782	1	STRAP - PIVOT - TELESCOPING DUCT (9970-CP690)
23	07184P	03M7184	1	BOLT - M8 X 20 ROUND HEAD - SHORT SQR NECK
24	63525P	E63525	1	NUT - M8 - SERR HEX FLANGE