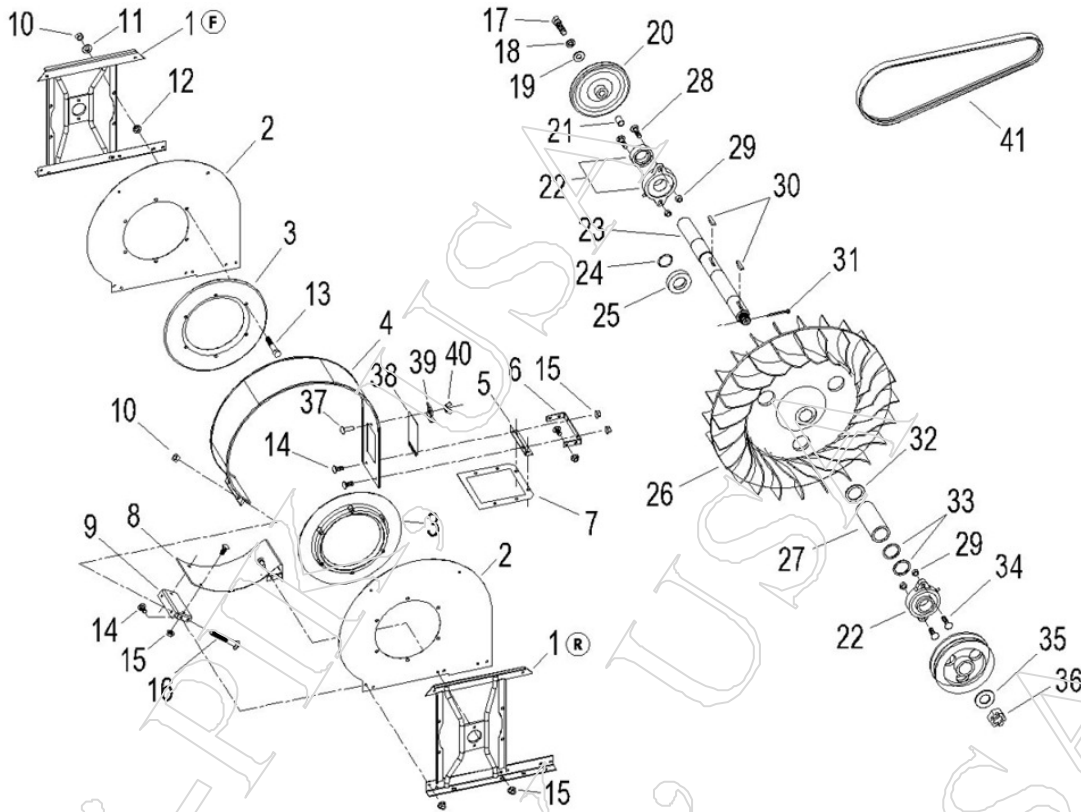
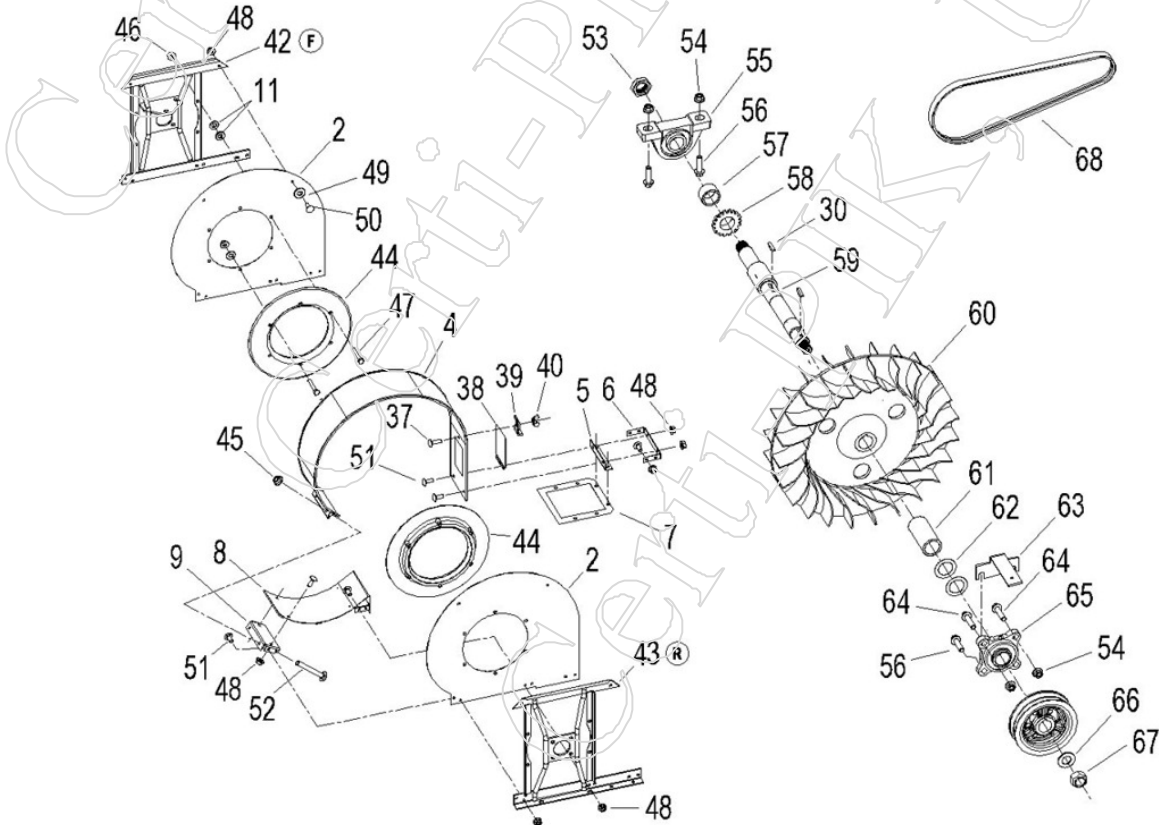


# John Deere 15233 Fan Assembly (9900-30CP) (7440CS)



# John Deere 74106 Fan Assembly (9935 CP) (7455 CS)

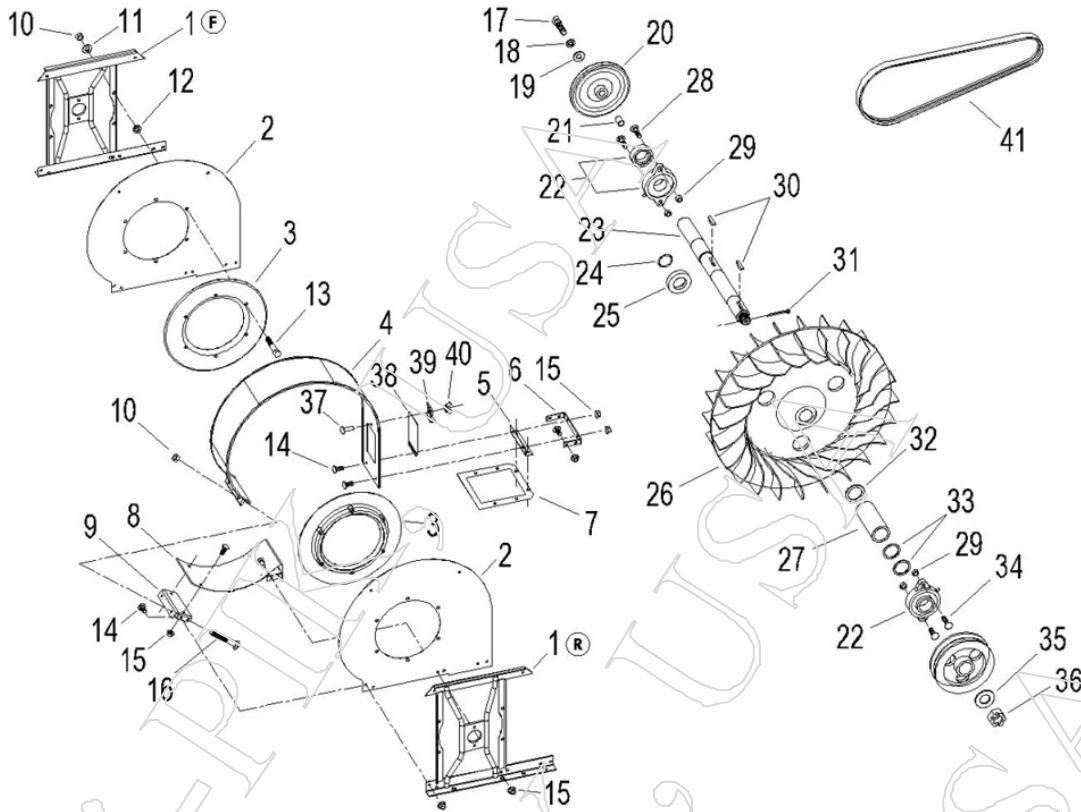


# John Deere 2 Row Fan Assembly

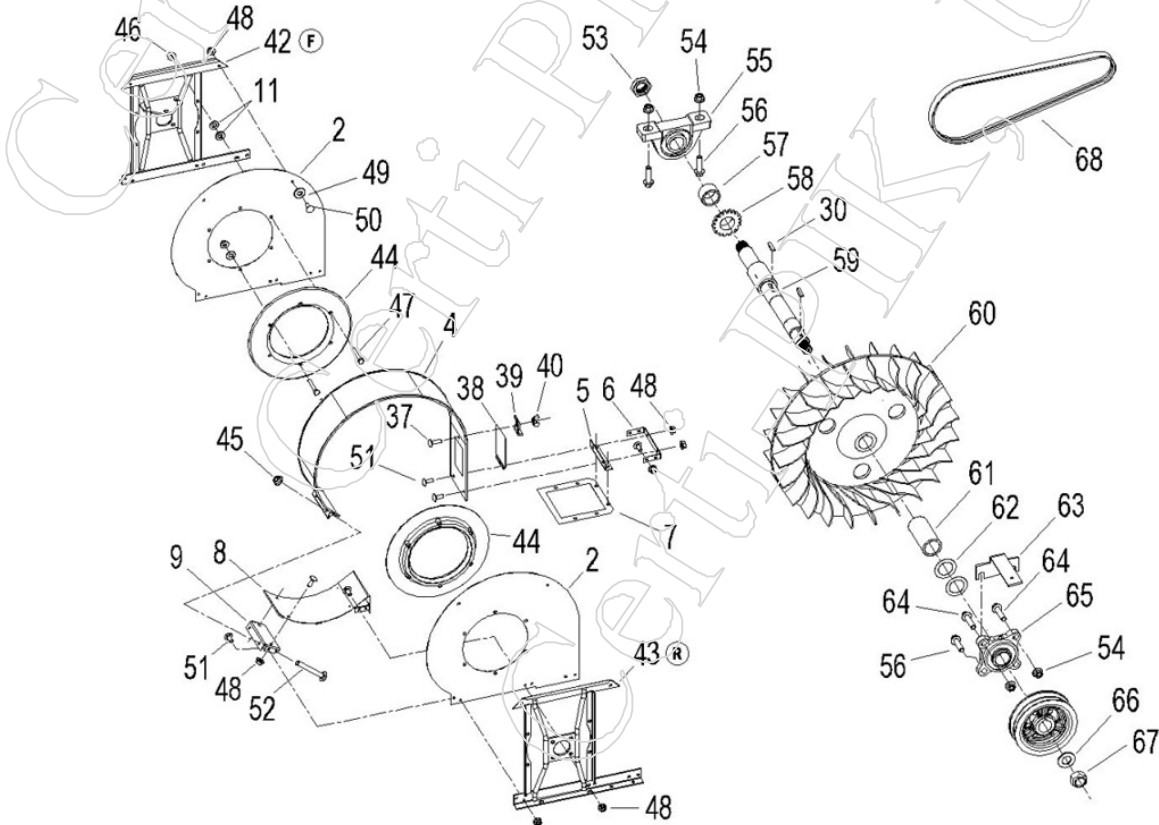
50-20

Item	Part	OEMPart	Qty	Desc
KIT.1	15233	AN115233	1	2 ROW FAN KIT - 1-3/8" SHAFT, ALL PARTS UNASSEMBLED INCLUDES #07200 BOLT KIT - (W/O #90049P SHEAVE) (9930CP, 7440CS)
KIT.2	15233A	<-----OEM	1	2 ROW FAN KIT - 1-3/8" SHAFT, ALL PARTS ASSEMBLED - (W/O #90049P SHEAVE) (9930CP, 7440CS)
KIT.3	07200	<-----OEM	1	BOLT KIT - COMPLETE FOR 2 ROW FAN ASSEMBLY #15233 (DOES NOT INCLUDE ITEMS 37-40)
KIT.4	74106	AN274106	1	2 ROW FAN KIT - ALL PARTS UNASSEMBLED INCLUDES #74106BK BOLT KIT (9935CP, 7455CS) (MAY USE WATER PULLEY AND BUSHING ON MODELS 9900-30CP &7440CS) DOES NOT INCLUDE BELT GUARD # 21237
KIT.5	74106A	<-----OEM	1	2 ROW FAN KIT - ALL PARTS ASSEMBLED (9935CP, 7455CS) (MAY USE WATER PULLEY AND BUSHING ON MODELS 9900-30CP &7440CS) DOES NOT INCLUDE BELT GUARD # 21237
KIT.6	74106BK	<-----OEM	1	BOLT KIT - COMPLETE FOR 2 ROW FAN ASSEMBLY #74106 (9935CP, 7455CS) (DOES NOT INCLUDE ITEMS 37-40)
1.1	92732F	AN192732	1	SIDE SUPPORT - BEARING (FRONT)
1.2	92733R	AN192733	1	SIDE SUPPORT - BEARING (REAR)
2	16690	N116690	2	SIDE PANEL
3	16688	N116688	2	BAFFLE - PLASTIC BAFFLE OR ORIFICE
4	20008	AN220008	1	WRAP AROUND COVER 2-ROW - WITH SERVICE HOLE
5	14702	N114702	1	ANGLE - USED FOR MOUNTING SHIM
6	14700	N114700	1	CHANNEL - OUTLET SUPPORT CHANNEL
7	18257	N118257	1	SHIM - SHIM USED ON FAN OUTLET
8	13793	AN113793	1	UNDER SHROUD - BOTTOM HOUSING CUTOFF
9	14701	N114701	1	TENSION BRKT
10	11234P	T11234	10	NUT - 3/8 - NYLON LOCK
11	01305P	24H1305	AR	WASHER - .406 X .810 X .060"
12	01304P	24H1304	8	WASHER - .406 X .718 X .120"
13	01726P	19H1726	12	BOLT - 3/8 X 2-1/4" HEX HEAD
14	01540P	03H1540	20	BOLT - 5/16 X 3/4" CARRIAGE
15	10213P	N10213	20	NUT - 5/16 - SERR HEX FLANGE
16	01565P	03H1565	2	BOLT - 3/8 X 3" CARRIAGE
17	01831P	19H1831	1	BOLT - 1/2 X 2" HEX HEAD
18	00301P	12H301	1	WASHER - 1/2" LOCK
19	01254P	24H1254	1	WASHER - 17/32 X 1-1/8 X .105"
20	90049P	N190049	1	SHEAVE - WATER PULLEY (9900-9996)
21	96112	N196112	1	BUSHING - WATER PULLEY
22.1	14202P	AN114202	1	1-3/8 BRG ASSY, INCLUDES HOUSING AND LOCKING COLLAR
22.2	12851P	AN112851	1	1-1/8 BRG ASSY - INCLUDES HOUSING AND LOCKING COLLAR
23	96398	N196398	1	SHAFT - 1-3/8 X 17.875 BLOWER SHAFT
24	96396P	N196396	1	SNAP RING
25	96397	N196397	1	STOP COLLAR
26	19769	N119769	1	FAN BLADE 2 ROW
27	19580	N119580	1	SHAFT SPACER - 1.4 X 1.875 X 4.575
28	01480P	03H1480	3	BOLT - 3/8 X 1-1/2" CARRIAGE
29	11234P	T11234	1	NUT - 3/8 - NYLON LOCK
30	00040P	26H40	2	KEY - 1/4 X 2-1/8 WOODRUFF
31	00222P	11H222	1	COTTER PIN - 3/16 X 2
32	00530P	24H530	1	WASHER - 1.390 X 2.125 X .135"
33	01511P	24H1511	2	WASHER - 1-13/32 X 1-3/4 X .060"

# John Deere 15233 Fan Assembly (9900-30CP) (7440CS)



# John Deere 74106 Fan Assembly (9935 CP) (7455 CS)



# John Deere 2 Row Fan Assembly

50-20

<u>Item</u>	<u>Part</u>	<u>OEMPart</u>	<u>Qty</u>	<u>Desc</u>
34	01558P	03H1558	1	BOLT - 3/8 X 1-3/4" CARRIAGE
35	00641P	24H641	1	WASHER - 1-1/16 X 2 X .134"
36	00535P	C535R	1	NUT - 1-14 CASTLE
37	07185P	03M7185	1	BOLT - M8 X 25 ROUND HEAD - SHORT SQR NECK
38	20401	N220401	1	COVER - 2R FAN WRAP INSPECTION
39	47159	P47159	1	CLIP - 2R FAN WRAP INSPECTION
40	07020P	14M7020	1	M8 WING NUT- 2R FAN WRAP INSPECTION
41	29368P	N129368	1	BELT - 2 ROW FAN DRIVE - JD (FAN ASSY #15233)
42	74103F	AN274103	1	FRAME SUPPORT - FRONT 2ROW - 1.5" SHAFT
43	74104R	AN274104	1	FRAME SUPPORT - REAR 2ROW - 1.5" SHAFT
44	76865	N276865	2	BAFFLE 2-ROW - METRIC HOLES
45	63526P	E63526	2	NUT - M10 - SERR HEX FLANGE
46	07400P	14M7400	12	NUT - M10-1.5 - NYLON LOCK
47	07156P	19M7156	12	BOLT - M10 X 60 HEX HEAD
48	63525P	E63525	20	NUT - M8 - SERR HEX FLANGE
49	63115P	M63115	4	.406 X 1.25 X .104 WASHER - REINFORCEMENT
50	07054P	03M7054	4	BOLT - M8 X 20 ROUND HEAD - SQR NECK
51	07184P	03M7184	16	BOLT - M8 X 20 ROUND HEAD - SHORT SQR NECK
52	07218P	03M7218	2	BOLT - M10 X 80 ROUND HEAD - SHORT SQR NECK
53	75038P	N275038	1	PRO DOFFER NUT, M30 NYLON LOCK NUT (9935-CP690 P12)
54	63527P	E63527	6	NUT - M12 - SERR HEX FLANGE
55	74105P	AN274105	1	PILLOW BLOCK BEARING ASSY 2-ROW - 1.5" SHAFT
56	07813P	19M7813	4	BOLT - M12 X 45 - SMOOTH HEX FLANGE
57	18111	M18111	1	SHORT SLEEVE - 2-ROW FAN - 1.5" SHAFT
58	97459	N197459	1	TONEWHEEL
59	76868	N276868	1	2 ROW FAN SHAFT - 1.5" DIA
60	76866	N276866	1	FAN BLADE 2 ROW - 1.50" BORE
61	76867	N276867	1	LONG SPACER - 2 ROW FAN SHAFT- 1.5" SHAFT
62	01535P	24H1535	2	WASHER - 1-17/32 X 1-31/32 X .035"
63	21237	N221237	1	ANGLE - BELT GUARD - 2 ROW FAN
64	08306P	19M8306	2	BOLT - M12 X 50 - SMOOTH HEX FLANGE
65	90738P	AN190738	1	1-1/2 BRG ASSY - INCLUDES HOUSING AND LOCKING COLLAR
66	9611094P	24M7091	1	WASHER - 1.75 X .937 X .13 HDN
67	31871P	A31871	1	NUT - M24 - HEX STOVER LOCK
68	B20907	N220907	1	FAN ROTOR - 9935 - Belt-Fan Drive (2 Band) - Eff.L78.750 IN - W.66 IN - T.41 IN (FAN ASSY #74106)