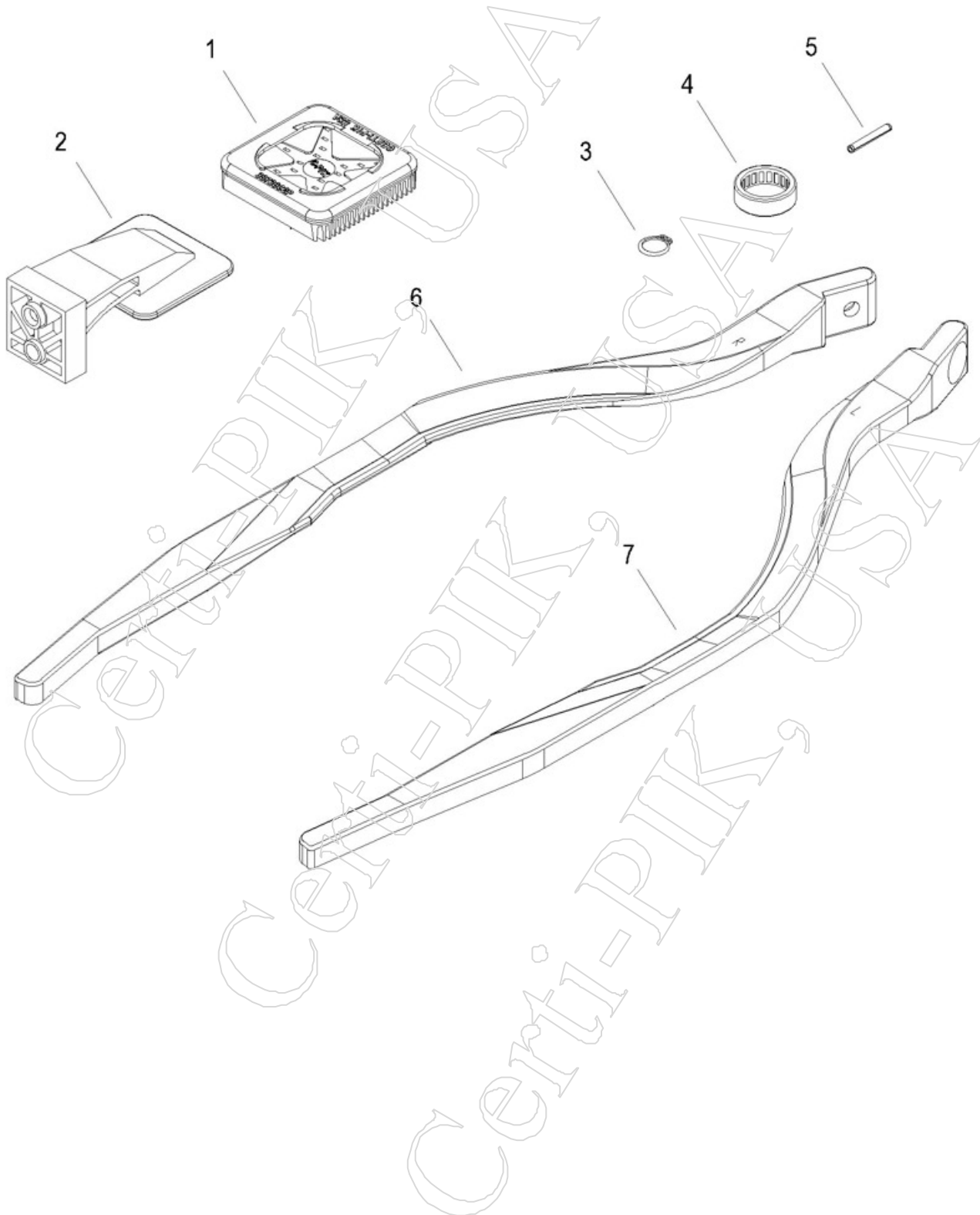


Case / IH Miscellaneous Parts



Case /IH Miscellaneous Parts

60-1

<u>Item</u>	<u>Part</u>	<u>OEMPart</u>	<u>Qty</u>	<u>Desc</u>
1	38720C2UPRM	1338720C2	18	MOISTENER PAD - PREMIUM URETHANE
2	7410653P	87410653	18	ARM - NEW BLACK - REPLACEMENT MOISTENER PAD HOLDER
3	1001150P	100-1150	1	RING - EXTERNAL RETAINING - (2000 SERIES)
4	9062R91P	3139062R91	6	BEARING - SPINDLE DRIVE SHAFT NEEDLE BEARING, * 23 NEEDLES *
5	0381916P	38-1916	18	PIN - 9/64 X 1" SLOTTED SPRING PIN (REPLACES 25954R1)
6	16829C2P	216829C2	17	SLAT - R.H. GRID BAR, FITS MODLES 1822-635 - REAR (R.H. PICKING UNITS)
7	16828C2P	216828C2	17	SLAT - L.H. GRID BAR, FITS MODLES 1822-635 - FRONT (R.H. PICKING UNITS)