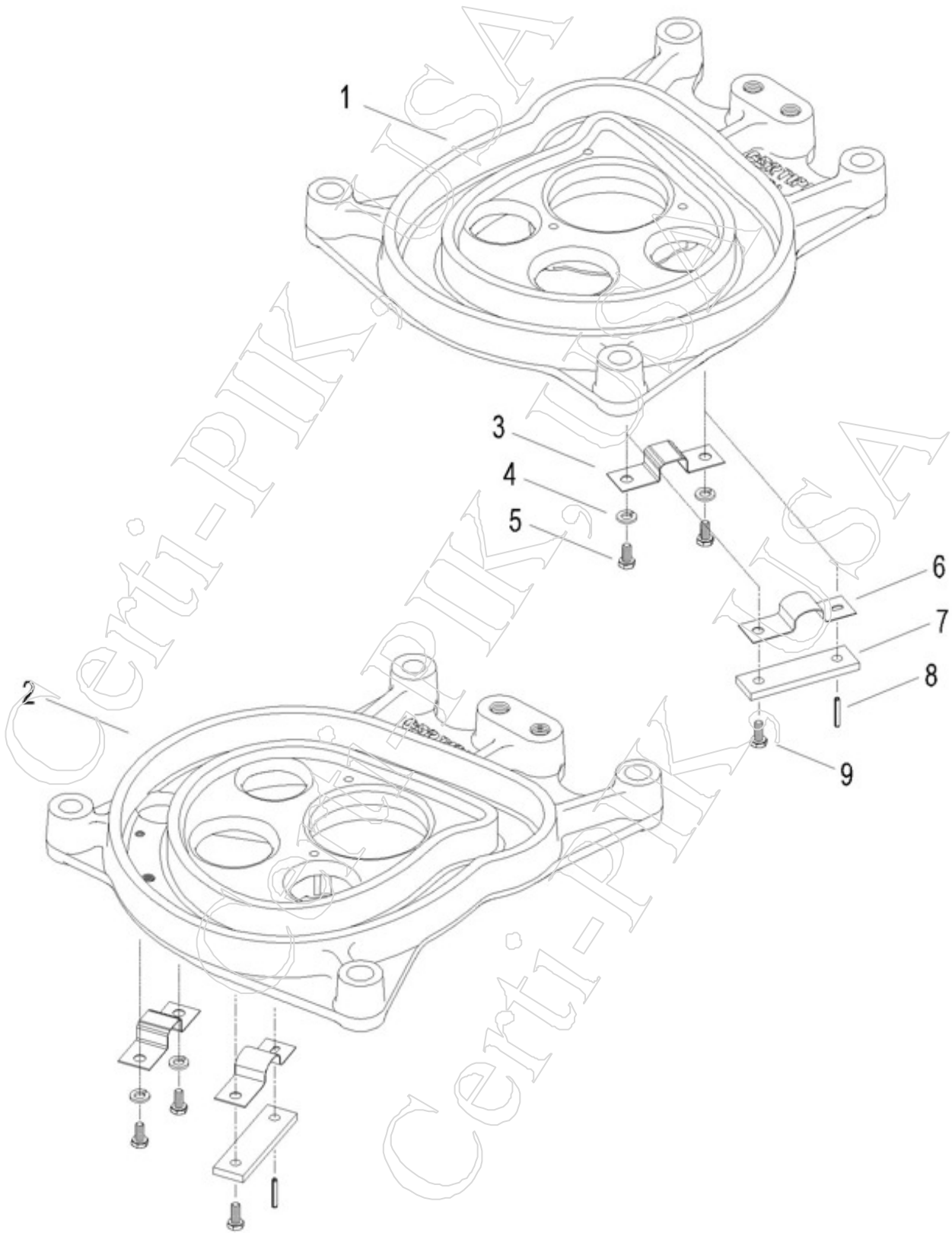


Case / IH Cam Tracks



<u>Item</u>	<u>Part</u>	<u>OEMPart</u>	<u>Qty</u>	<u>Desc</u>
1	94253A1	394253A1	1	CAM TRACK - R.H. - FRONT (WITH ROLLER SERVICE HOLE) FITS ALL 2000 SERIES - CPX 620-635 MACHINES (USES ITEMS 3-5 : SOLD SEPARATELY) REPLACES PART #1982351C1
2	94252A1	394252A1	1	CAM TRACK - L.H. - REAR (WITH ROLLER SERVICE HOLE) FITS ALL 2000 SERIES - CPX 620-635 MACHINES (USES ITEMS 3-5 : SOLD SEPARATELY) REPLACES PART #1982350C1
3	94414A1	394414A1	1	SUPPORT - CAM ROLLER ACCESS - USES 2x 5/16" BOLTS - FITS CAMTRACKS 94252A1 & 94253A1
4	00303P	492-11031	2	WASHER - 5/16" LOCK
5	0041358P	413-58	2	BOLT - 5/16 - 18 X 1/2" HEX HEAD GD5 - FITS CAMTRACKS 94252A1 & 94253A1
6	16138C2	216138C2	1	SUPPORT - CAM ROLLER ACCESS - FITS CAMTRACKS 1982351C1 & 1982350C1
7	94932C1	1994932C1	1	PLATE - SPRING RETAINER - FITS CAMTRACKS 1982351C1 & 1982350C1
8	0381916P	38-1916	1	PIN - 9/64 X 1" SLOTTED SPRING PIN (REPLACES 25954R1)
9	01813P	19H1813	1	BOLT - 5/16 X 5/8" HEX HEAD GD5