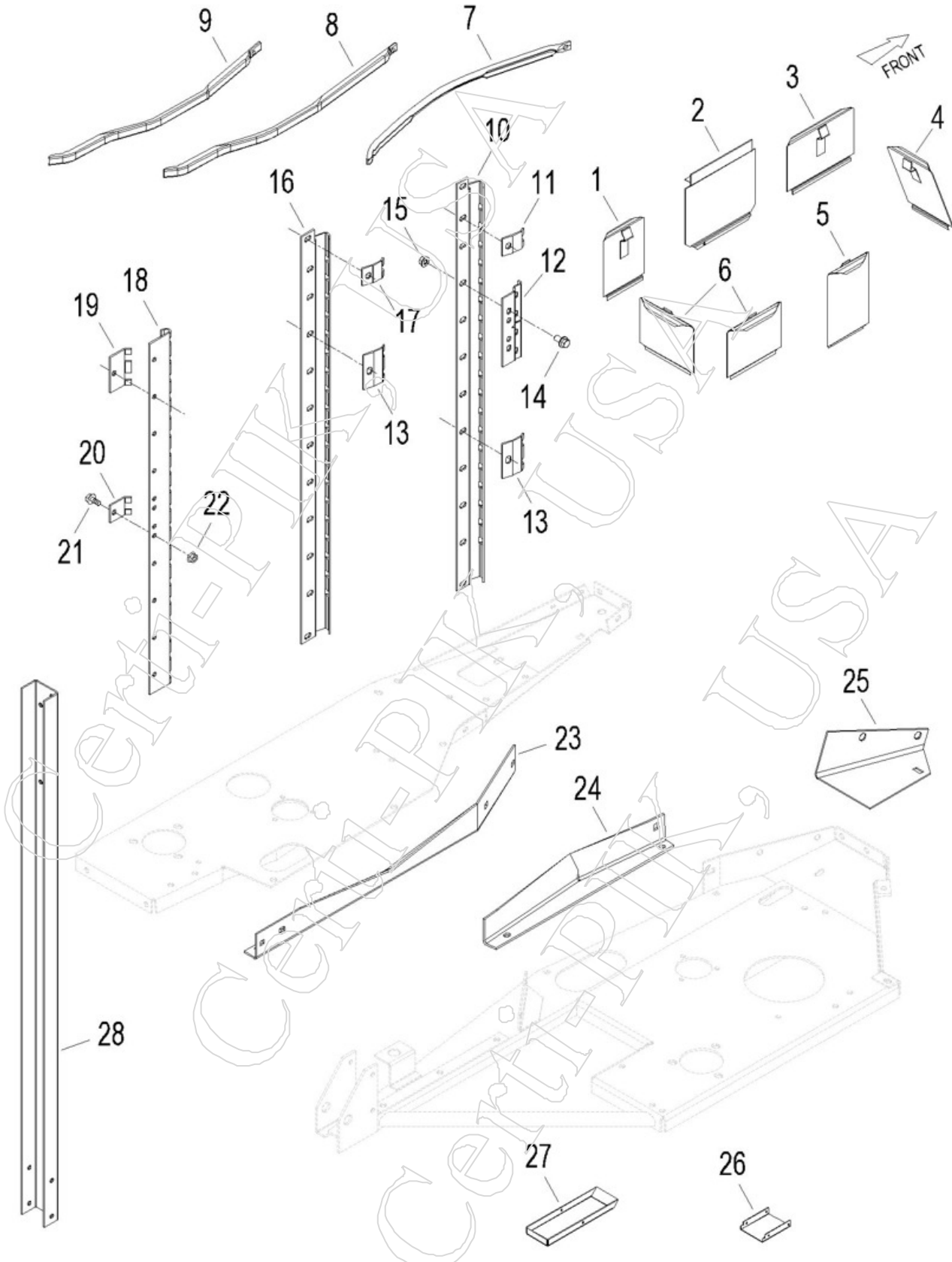


John Deere Conventional Cabinet Parts



John Deere Conventional Cabinet Parts

20-1

<u>Item</u>	<u>Part</u>	<u>OEMPart</u>	<u>Qty</u>	<u>Desc</u>
1	15027	AN115027	1	COVER - SIDE INSPECTION
2	19813	N119813	1	COVER - INSPECTION (9 X 9.4) WITHOUT CLIP
3	12645	AN112645	1	COVER - SIDE INSPECTION (9900-30, 40-65 CONV.)
4	90253	AN190253	NA	COVER - FRONT INSPECTION (9920,9930,40-60 CONV.)
5	14682	AN114682	1	COVER - INSPECTION
6	12644	AN112644	1	COVER - SIDE INSPECTION (9900-30, 40-65 CONV.)
7	16513P	N116513	19	GRID BAR - FRONT (9900-9965)
8	90662P	N190662	19	GRID BAR - REAR (9920-9950, CONV. UNITS)
9	16514P	N116514	19	GRID BAR - REAR (9900-9910) 12- BAR
10.1	19274	N119274	1	POST - R.H. FRONT GRID BAR (9920-9965 CONV.)
10.2	19275	N119275	1	POST - L.H. FRONT GRID BAR (9920-9965 CONV.)
11	19277	N119277	1	CLAMP - FRONT SINGLE, GRID BAR (9920-9965)
12	93404	N193404	AR	CLAMP - FRONT, GRID BAR (9930-9935, 9950-9965)
13	19276	N119276	AR	CLAMP - FRONT DOUBLE, GRID BAR (9900-9910)
14	14822P	N14822	AR	BOLT - 3/8 X 3/4" - SERR HEX FLANGE
15	10215P	N10215	AR	NUT - 3/8 - SERR HEX FLANGE
16.1	15002	N115002	1	POST - R.H. (9900-9910) FRONT GRID BAR POST
16.2	15003	N115003	1	POST - L.H. (9900-9910) FRONT GRID BAR POST
17	10107	N110107	1	CLAMP - FRONT SINGLE, GRID BAR (9900-9910)
18	10123	N110123	1	POST - 9900-9965 CONV. REAR GRID BAR
19	10124	N110124	9	CLAMP - REAR DOUBLE (9900-9965 CONV.)
20	10125	N110125	1	CLAMP - REAR SINGLE (9900-9965 CONV.)
21	10212P	N10212	AR	BOLT - 5/16 X 3/4" - SERR HEX FLANGE
22	10213P	N10213	AR	NUT - 5/16 - SERR HEX FLANGE
23.1	91294R	N191294	1	FRAME - R.H., CONV. UNITS, INSIDE REAR (9900-9950) (ILL.)
23.2	91295L	N191295	1	FRAME - L.H., CONV. UNITS, INSIDE REAR (9900-9950)
24.1	91664	N191664	1	FRAME - R.H. CONV. BOTTOM STIFFENER, 12-BAR (9920-9950) (ILL.)
24.2	91665	N191665	1	FRAME - L.H. CONV. BOTTOM STIFFENER, 12-BAR (9920-9950)
25.1	17286R	N117286	1	PLATE - R.H., 16 BAR WEAR PLATE (9900-9910) (ILL.)
25.2	17287L	N117287	1	PLATE - L.H., 16 BAR WEAR PLATE (9900-9910)
26	90645	N190645	1	SHIELD - LUBE LINE (9920-9930, 9940-9950)
27	91600	N191600	1	SHIELD - 12-BAR LUBE LINE (9910-9930, 9940-9950)
28.1	16642R	N116642	1	POST - R.H., REAR (HI-DRUM) POST (9900-9930) (ILL.)
28.2	16643L	N116643	1	POST - L.H., REAR (HI-DRUM) POST (9900-9930)