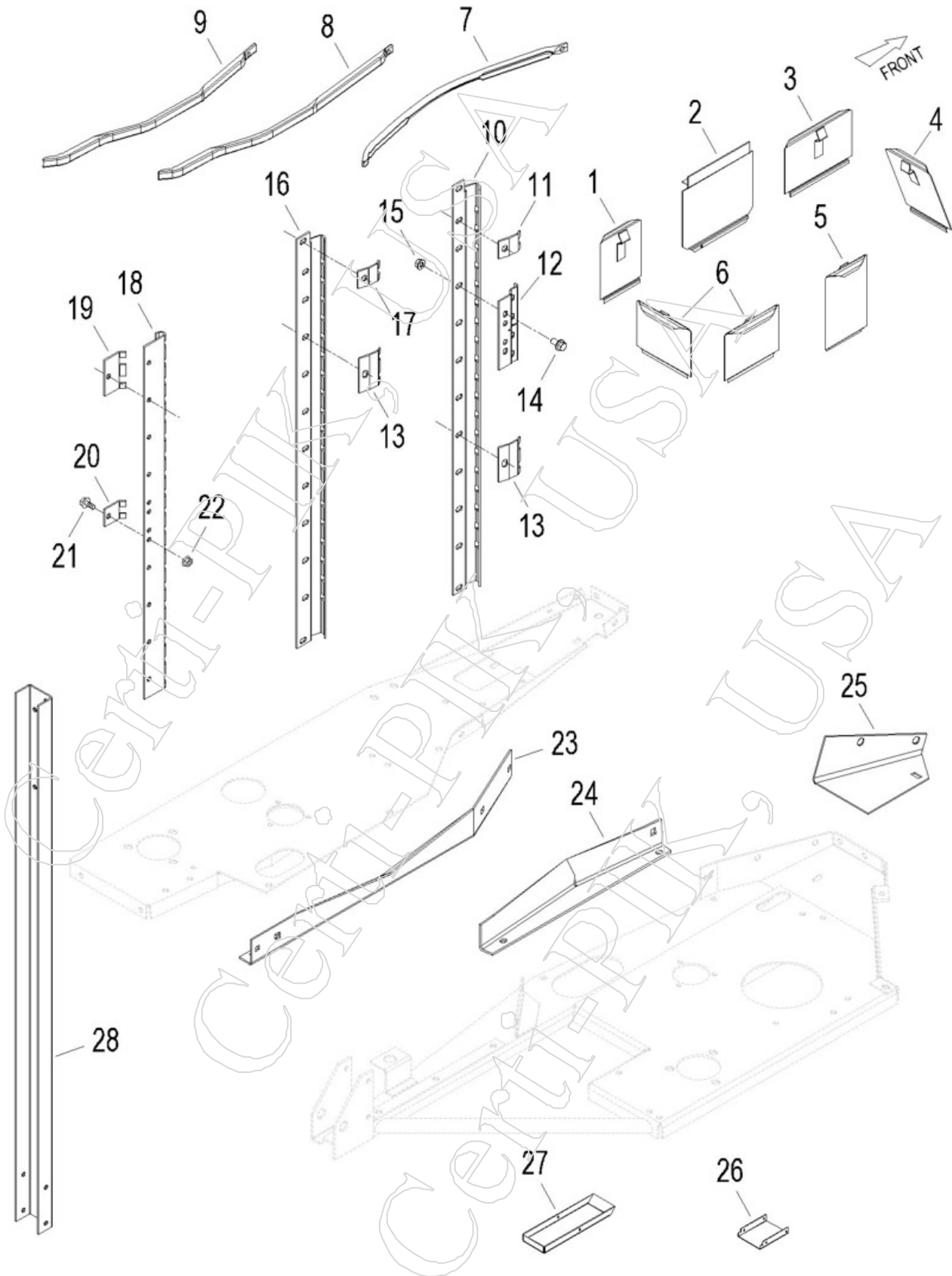


John Deere Conventional Cabinet Parts



John Deere Conventional, Cabinet Parts

20-1

| <u>Item</u> | <u>Part</u> | <u>OEMPart</u> | <u>Qty</u> | <u>Desc</u> |
|-------------|-------------|----------------|------------|--|
| 1 | 15027 | AN115027 | 1 | COVER - SIDE INSPECTION |
| 2 | 19813 | N119813 | 1 | COVER - INSPECTION (9 X 9.4) WITHOUT CLIP |
| 3 | 12645 | AN112645 | 1 | COVER - SIDE INSPECTION (9900-30, 40-65 CONV.) |
| 4 | 90253 | AN190253 | NA | COVER - FRONT INSPECTION (9920,9930,40-60 CONV.) |
| 5 | 14682 | AN114682 | 1 | COVER - INSPECTION |
| 6 | 12644 | AN112644 | 1 | COVER - SIDE INSPECTION (9900-30, 40-65 CONV.) |
| 7 | 16513P | N116513 | 19 | GRID BAR - FRONT (9900-9965) |
| 8 | 90662P | N190662 | 19 | GRID BAR - REAR 9920-9950, CONV. UNITS |
| 9 | 16514P | N116514 | 19 | GRID BAR - REAR (9900-9910) 12- BAR |
| 10.1 | 19274 | N119274 | 1 | POST - R.H. FRONT GRID BAR (9920-9965 CONV.) |
| 10.2 | 19275 | N119275 | 1 | POST - L.H. FRONT GRID BAR (9920-9965 CONV.) |
| 11 | 19277 | N119277 | 1 | CLAMP - FRONT SINGLE, GRID BAR (9920-9965) |
| 12 | 93404 | N193404 | AR | CLAMP - FRONT, GRID BAR (9930-9935, 9950-9965) |
| 13 | 19276 | N119276 | AR | CLAMP - FRONT DOUBLE, GRID BAR (9900-9910) |
| 14 | 14822P | N14822 | AR | BOLT - 3/8 X 3/4" - SERR HEX FLANGE |
| 15 | 10215P | N10215 | AR | NUT - 3/8 - SERR HEX FLANGE |
| 16.1 | 15002 | N115002 | 1 | POST - R.H. 9900-9910 FRONT GRID BAR POST |
| 16.2 | 15003 | N115003 | 1 | POST - L.H. 9900-9910 FRONT GRID BAR POST |
| 17 | 10107 | N110107 | 1 | CLAMP - FRONT SINGLE, GRID BAR (9900-9910) |
| 18 | 10123 | N110123 | 1 | POST - 9900-9965 CONV. REAR GRID BAR |
| 19 | 10124 | N110124 | 9 | CLAMP - REAR DOUBLE (9900-9965 CONV.) |
| 20 | 10125 | N110125 | 1 | CLAMP - REAR SINGLE (9900-9965 CONV.) |
| 21 | 10212P | N10212 | AR | BOLT - 5/16 X 3/4" - SERR HEX FLANGE |
| 22 | 10213P | N10213 | AR | NUT - 5/16 - SERR HEX FLANGE |
| 23.1 | 91294R | N191294 | 1 | FRAME - R.H., CONV. UNITS, INSIDE REAR (9900-9950) (ILL.) |
| 23.2 | 91295L | N191295 | 1 | FRAME - L.H., CONV. UNITS, INSIDE REAR (9900-9950) |
| 24.1 | 91664 | N191664 | 1 | FRAME - R.H. CONV. BOTTOM STIFFENER, 12-BAR (9920-9950) (ILL.) |
| 24.2 | 91665 | N191665 | 1 | FRAME - L.H. CONV. BOTTOM STIFFENER, 12-BAR (9920-9950) |
| 25.1 | 17286R | N117286 | 1 | PLATE - R.H., 16 BAR WEAR PLATE (9900-9910) (ILL.) |
| 25.2 | 17287L | N117287 | 1 | PLATE - L.H., 16 BAR WEAR PLATE (9900-9910) |
| 26 | 90645 | N190645 | 1 | SHIELD - LUBE LINE (9920-9930, 9940-9950) |
| 27 | 91600 | N191600 | 1 | SHIELD - 12-BAR LUBE LINE (9910-9930, 9940-9950) |
| 28.1 | 16642R | N116642 | 1 | POST - R.H., REAR (HI-DRUM) POST (9900-9930) (ILL.) |
| 28.2 | 16643L | N116643 | 1 | POST - L.H., REAR (HI-DRUM) POST (9900-9930) |