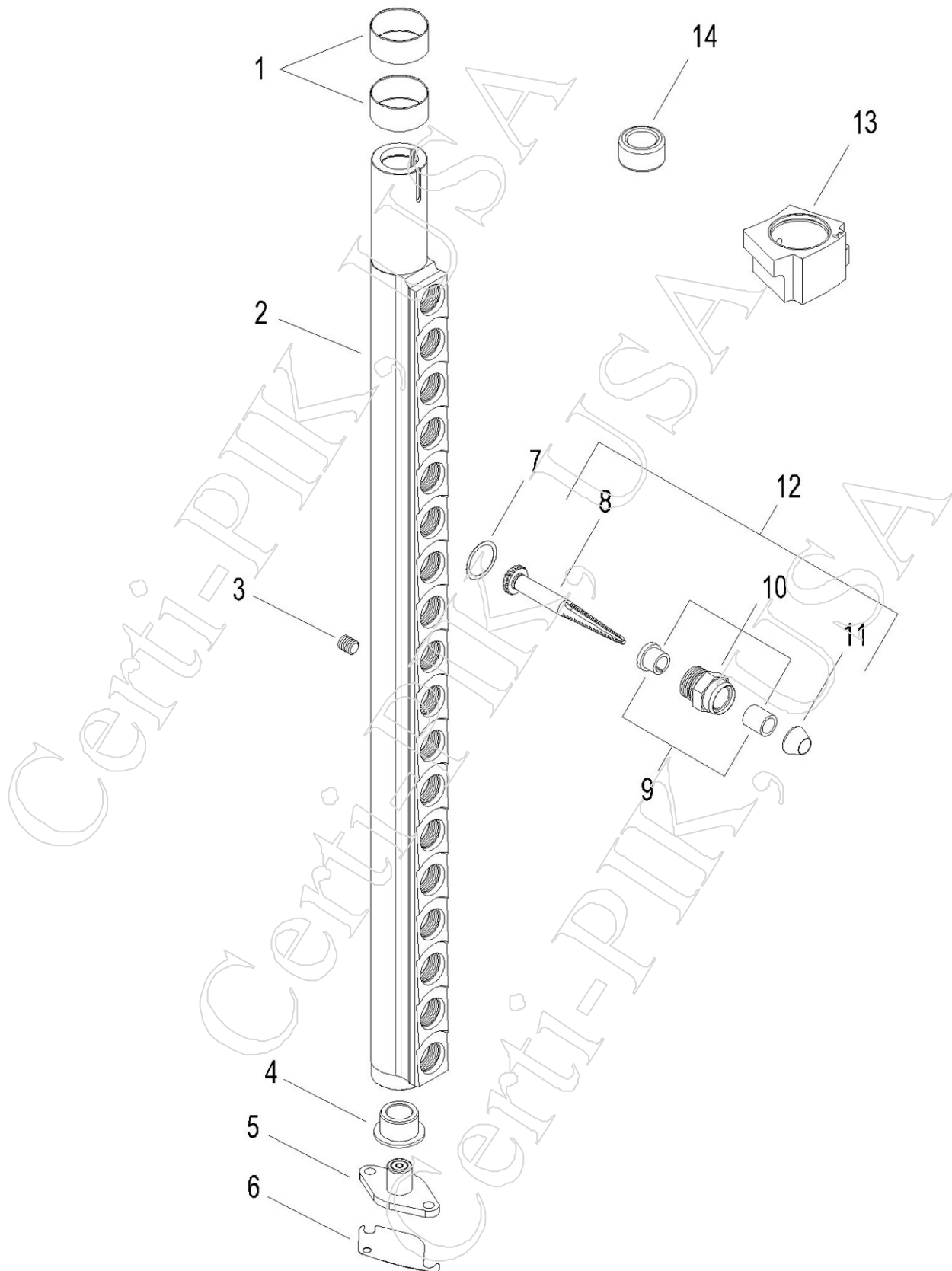


Case / IH 18-Spindle Picker Bar Assembly

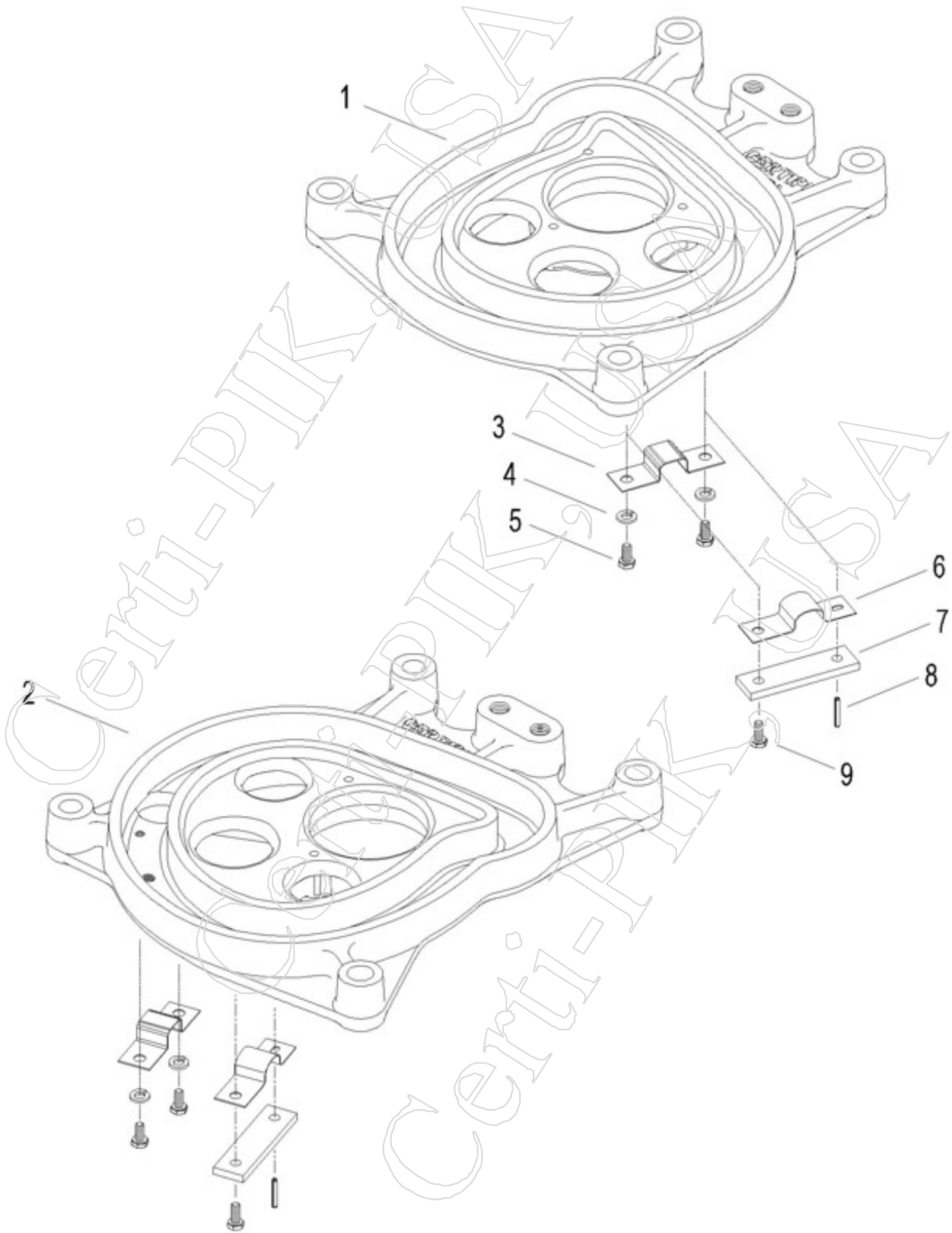


Case / IH 18 Spindle Picker Bar Assy

80-1

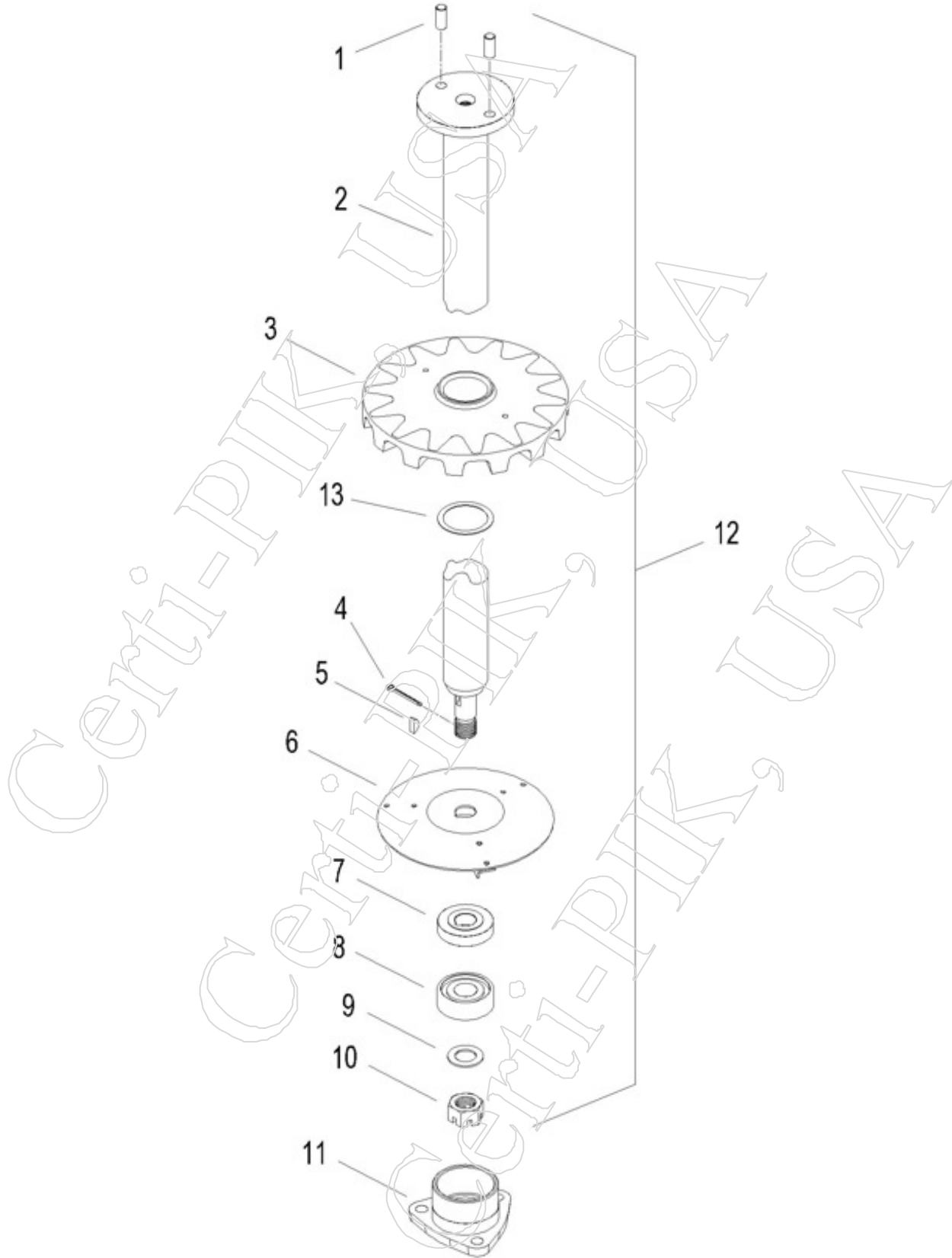
<u>Item</u>	<u>Part</u>	<u>OEMPart</u>	<u>Qty</u>	<u>Desc</u>
1	23634C1	223634C1	2	SLEEVE, PICKER BAR (2/BAR)
2.1	82393C1R	1982393C1	1	BAR, R.H. UNIVERSAL 1800 & 2000-635 SERIES, 18 SPINDLE WITH SLEEVES
2.2	82392C1L	1982392C1	1	BAR, L.H. UNIVERSAL 1800 & 2000-635 SERIES, 18 SPINDLE WITH SLEEVES
3	00558P	<-----OEM	1	PLUG, 1/8 PIPE PLUG
4	69815R3P	669815R3	1	BUSHING, BOTTOM BAR BUSHING (1822-635)
5	14910C2P	214910C2	1	STOOL, BAR STOOL PIVOT (1822-635)
6.1	69817R1P	669817R1P	1	SHIM, .003 BAR STOOL (USE PT. NO. 93694P)(1822-635)
6.2	69818R1P	669818R1P	1	SHIM, .005 BAR STOOL (USE PT. NO. 90952P)(1822-635)
6.3	69819R1P	669819R1P	1	SHIM, .007 BAR STOOL (1822-635)
6.4	69820R1P	669820R1P	1	SHIM, .010 BAR STOOL (USE PT. NO. 90953P)(1822-635)
7	10223P	N110223	AR	SHIM, .010" SPINDLE NUT - (REPLACES CASE/IH #674980R2)
8.1	46042A1P	346042A1	18	SPINDLE R.H. CASE/IH 90 M
8.2	46041A1P	346041A1	18	SPINDLE L.H. CASE/IH 90 M
9.1	16553C1P	216553C1	18	BUSHING, SPIN. FLANGED (1822, 1844, 2022, 2044, 2055)
9.2	16552C1P	216552C1	18	BUSHING, SPIN. STRAIGHT (1822, 1844, 2022, 2044, 2055)
9.3	94863C1P	1994863C1	18	CASE SPINDLE BUSHING STRAIGHT (NEW STYLE - SMALLER DIA): USED IN #94866C1 & #94865C1 NUT ASSYS -(2055-635)
9.4	94864C1P	1994864C1	18	CASE SPINDLE BUSHING FLANGED (NEW STYLE - SMALLER DIA): USED IN #94866C1 & #94865C1 NUT ASSYS -(2055-635)
10.1	64768A1	364768A1	18	ASSEMBLY, R.H. SPINDLE NUT WITH PRESSED BUSHINGS - USES NEW BUSHINGS #94864C1P & #94863C1P
10.2	64767A1	364767A1	18	ASSEMBLY, L.H. SPINDLE NUT WITH PRESSED BUSHINGS - USES NEW BUSHINGS #94864C1P & #94863C1P
11	16554C1P	216554C1	18	DUST CAP, SPINDLE
12.1	64348A1	364348A1	18	ASSEMBLY, R.H. PRE-ASSEMBLED SPINDLE PARTS - 90M
12.2	64347A1	364347A1	18	ASSEMBLY, L.H. PRE-ASSEMBLED SPINDLE PARTS - 90M
13	82394C2	1982394C2	1	CASE - BEARING - BAR JOURNAL - (FITS ALL 2000 SER. - 635 MOD EXP. MACHINES)
14	86948C1PRM	86948C1	1	ROLLER, CAM ROLLER - (1822-635 MOD EXP)

Case / IH Cam Tracks



<u>Item</u>	<u>Part</u>	<u>OEMPart</u>	<u>Qty</u>	<u>Desc</u>
1	94253A1	394253A1	1	CAM TRACK, R.H. - FRONT (WITH ROLLER SERVICE HOLE) FITS ALL 2000 SERIES - CPX 620-635 MACHINES (USES ITEMS 3-5 : SOLD SEPARATELY) REPLACES PART #1982351C1
2	94252A1	394252A1	1	CAM TRACK, L.H. - REAR (WITH ROLLER SERVICE HOLE) FITS ALL 2000 SERIES - CPX 620-635 MACHINES (USES ITEMS 3-5 : SOLD SEPARATELY) REPLACES PART #1982350C1
3	94414A1	394414A1	1	SUPPORT - CAM ROLLER ACCESS - USES 2x 5/16" BOLTS - FITS CAMTRACKS 94252A1 & 94253A1
4	00303P	492-11031	2	LOCK WASHER, 5/16
5	0041358P	413-58	2	5/16 - 18 X 1/2" CAP SCREW GRADE 5 - FITS CAMTRACKS 94252A1 & 94253A1
6	16138C2	216138C2	1	SUPPORT - CAM ROLLER ACCESS - FITS CAMTRACKS 1982351C1 & 1982350C1
7	94932C1	1994932C1	1	PLATE - SPRING RETAINER - FITS CAMTRACKS 1982351C1 & 1982350C1
8	25954R1P	25954R1	1	PIN, 9/64 X 1" SLOTTED SPRING PIN
9	01813P	19H1813	1	SCREW, 5/16 X 5/8" CAP SCREW GD5

Case / IH Doffer Assembly



Case / IH Doffer Assy

80-4

<u>Item</u>	<u>Part</u>	<u>OEMPart</u>	<u>Qty</u>	<u>Desc</u>
1	0371614P	37-1614	2	HARDENED DOWEL PIN - 3/8 X 7/8 - DOFFER (2022-635)
2	82375C1	1982375C1	1	DOFFER SHAFT - FITS ALL 2000 SERIES (2022-635)
3	83311A1UPRM	<-----OEM	18	DOFFER, LARGE URETHANE DOFFER (PREMIUM) 2000 SERIES-635
4	0432820P	432-820	1	COTTER PIN - LOWER DOFFER (2022-635)
5	0126113P	126-113	1	WOODRUFF KEY 3/16 X 5/8 - DOFFER (2022-635)
6	29439C1	1329439C1	1	DISK - LOWER DOFFER (1822-635)
7	07282C1	87282C1	1	KEYED SPACER - LOWER DOFFER (1822-635)
8	7440726P	87440726	1	BEARING - LOWER DOFFER (1822-635) (REPLACES 669807R91)
9	9581039P	495-81039	1	WASHER - LOWER DOFFER - 25/32 X 1-1/4 X 1/8" (2022-635)
10	0088886P	88886	1	CASE DOFFER NUT - HEX SLOTTED 3/4 UNF G5 (2022-635)
11	69806R2	669806R2	1	LOWER DOFFER HOUSING (1822-635)
12	83429A1	383429A1	1	CASE/IH DOFFER ASSEMBLY - INCLUDES ITEMS 1-10 (2022-635)
13	0331132P	<-----OEM	18	SHIM, DOFFER - .032" THICK