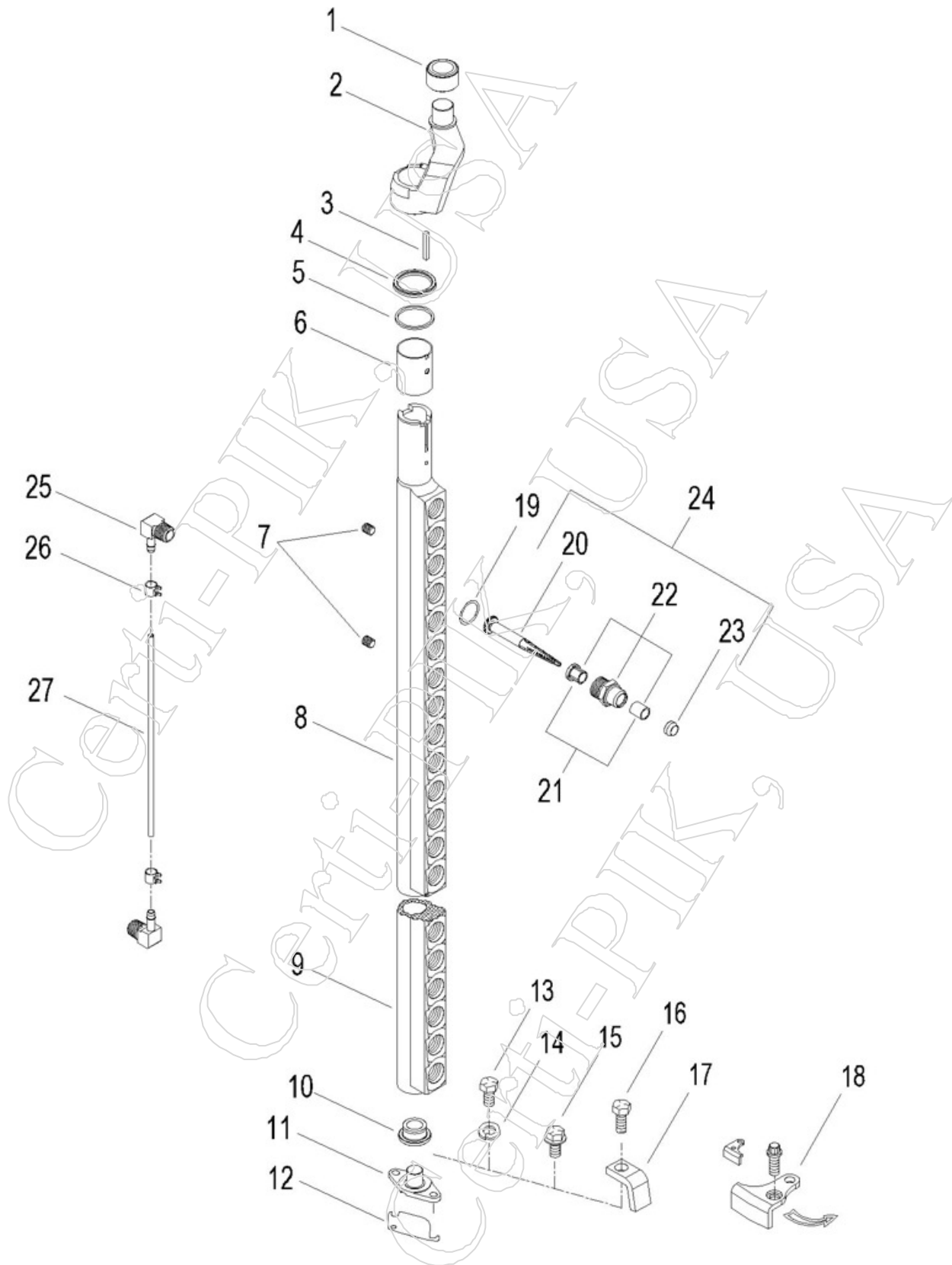


John Deere 9900-9920, 9940 Picker Bar and Spindle Assembly

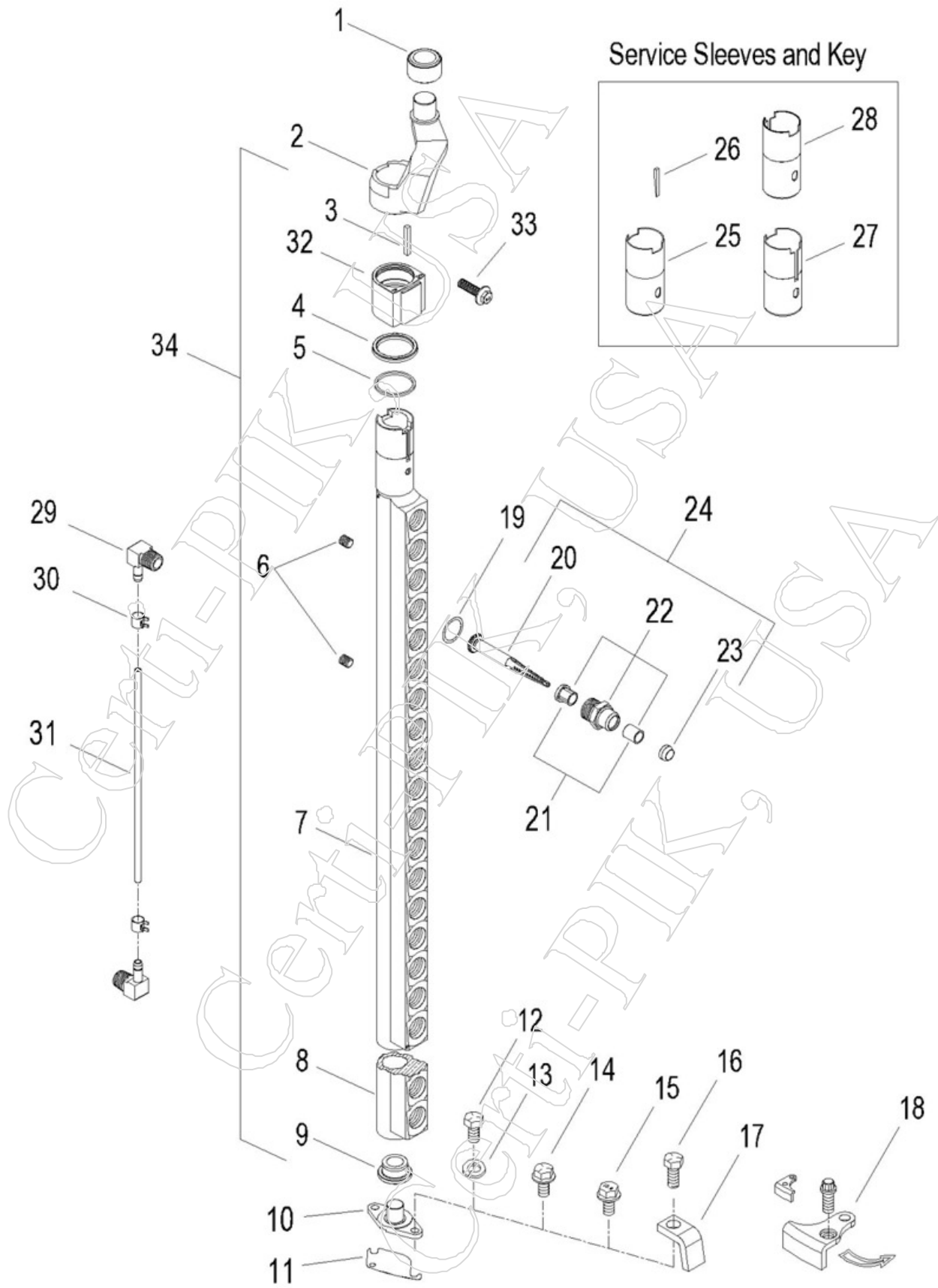


John Deere 9900-9920, 9940 Picker Bar and Spindle Assembly

30-1

Item	Part	OEMPart	Qty	Desc
1	93500PRM	N193500	1	CAM ROLLER
2.1	14682R	N114682	NA	ARM, R.H. CAM FOLLOWER
2.2	14683L	N114683	NA	ARM, L.H. CAM FOLLOWER (ILL.)
3	64373	H64373	1	SQUARE KEY
4	19589P	N119589	1	SEAL, UPPER CUP (NOT USED ON PRO BARS)
5.1	19581P	N119581	1	SEAL, LOWER SQUARE (NOT USED ON PRO BARS)
5.2	19854P	T19854	1	O-RING SEAL (9900-CP690) (2 USED ON PRO BARS)
6.1	17859P	N117859	1	SLEEVE, SHORT SPLIT SERVICE SLEEVE
6.2	17000	<-----OEM	1	SLEEVE, SHORT UN-SPLIT SERVICE SLEEVE
7	00558P	15H558	AR	PLUG, 1/8 PIPE PLUG
8.1	90786R	AN190786	1	BAR, 14 SPINDLE R.H.
8.2	90787L	AN190787	1	BAR, 14 SPINDLE L.H.
9.1	92756RPRM	AN192756	1	BAR, 20 SPINDLE R.H.
9.2	92755LPRM	AN192755	1	BAR, 20 SPINDLE L.H.
10	74832P	N374832	1	JD BAR BUSHING (NEW STYLE SHORTER)
11	12291P	N112291	1	BAR STOOL PIVOT (9900-CP690)
12.1	93694P	N193694	1	SHIM, .003" BAR STOOL SHIM
12.2	90952P	N190952	1	SHIM, .005" BAR STOOL SHIM
12.3	90953P	N190953	1	SHIM, .010" BAR STOOL SHIM
13	01813P	19H1813	1	SCREW, 5/16 X 5/8" CAP SCREW GD5
14	07065P	12M7065	1	LOCK WASHER, 8mm (REPLACES 5/16")
15	03695P	19H3695	1	SCREW, 5/16 X 5/8" HEX FLANGE GD5
16	01900P	19H1900	1	CAP SCREW, 5/16 X 3/4" HEX HEAD (USED W/ #CPE683 DIRT SCRAPER)
17	CPE683	<-----OEM	1	DIRT SCRAPER (CAN BE ATTACHED POINTING UP OR DOWN)
18.1	CPE684CCW	<-----OEM	1	DIRT SCRAPER, CCW ROTATION, IN-LINE, INCLUDES 1x ATTACHING SCREW # CPE686P (ILL.)
18.2	CPE685CW	<-----OEM	1	DIRT SCRAPER, CW ROTATION
19.1	02889P	L2889N	AR	SHIM, .005" SPINDLE NUT SHIM
19.2	10223P	N110223	AR	SHIM, .010" SPINDLE NUT - (REPLACES CASE/IH #674980R2)
20.1	77078RP	N277078	AR	SPINDLE, PRO-XL PICKER SPINDLE RIGHT HAND
20.2	90332RP	N190332R	AR	SPINDLE, PICKER SPINDLE RIGHT HAND
20.3	90333LP	N190333L	AR	SPINDLE, PICKER SPINDLE LEFT HAND
21.1	13307P	N113307	AR	BUSHING, SPIN. BUSH. FLANGED (9900-CP690)
21.2	12394P	N112394	AR	BUSHING, SPIN. BUSH. STRAIGHT
22.1	11948R	AN111948	AR	ASSEMBLY, R.H. SPINDLE NUT WITH PRESSED BUSHINGS
22.2	11949L	AN111949	AR	ASSEMBLY, L.H. SPINDLE NUT WITH PRESSED BUSHINGS
23	79986P	N279986	AR	DUST CAP, SPINDLE (9900-CP690)
24.1	95082	AN195082	AR	ASSEMBLY, R.H. PRE-ASSEMBLED SPINDLE PARTS
24.2	95083	AN195083	AR	ASSEMBLY, L.H. PRE-ASSEMBLED SPINDLE PARTS
25	15724P	N115724	1	UNION FITTING, 90 DEG LUBE LINE ELBOW
26.1	17044P	N117044	1	HOSE CLAMP, (HOSE OD .280)
26.2	17044FP	<-----OEM	1	HOSE CLAMP, 3/8" LONG FLARED ENDS (HOSE OD .280)
27.1	74964-01	N274964	1	HOSE, PICKER BAR LUBE (1000 FT)
27.2	74964-02	N274964	1	HOSE, PICKER BAR LUBE (100 FT MIN. RANDOM CUT)

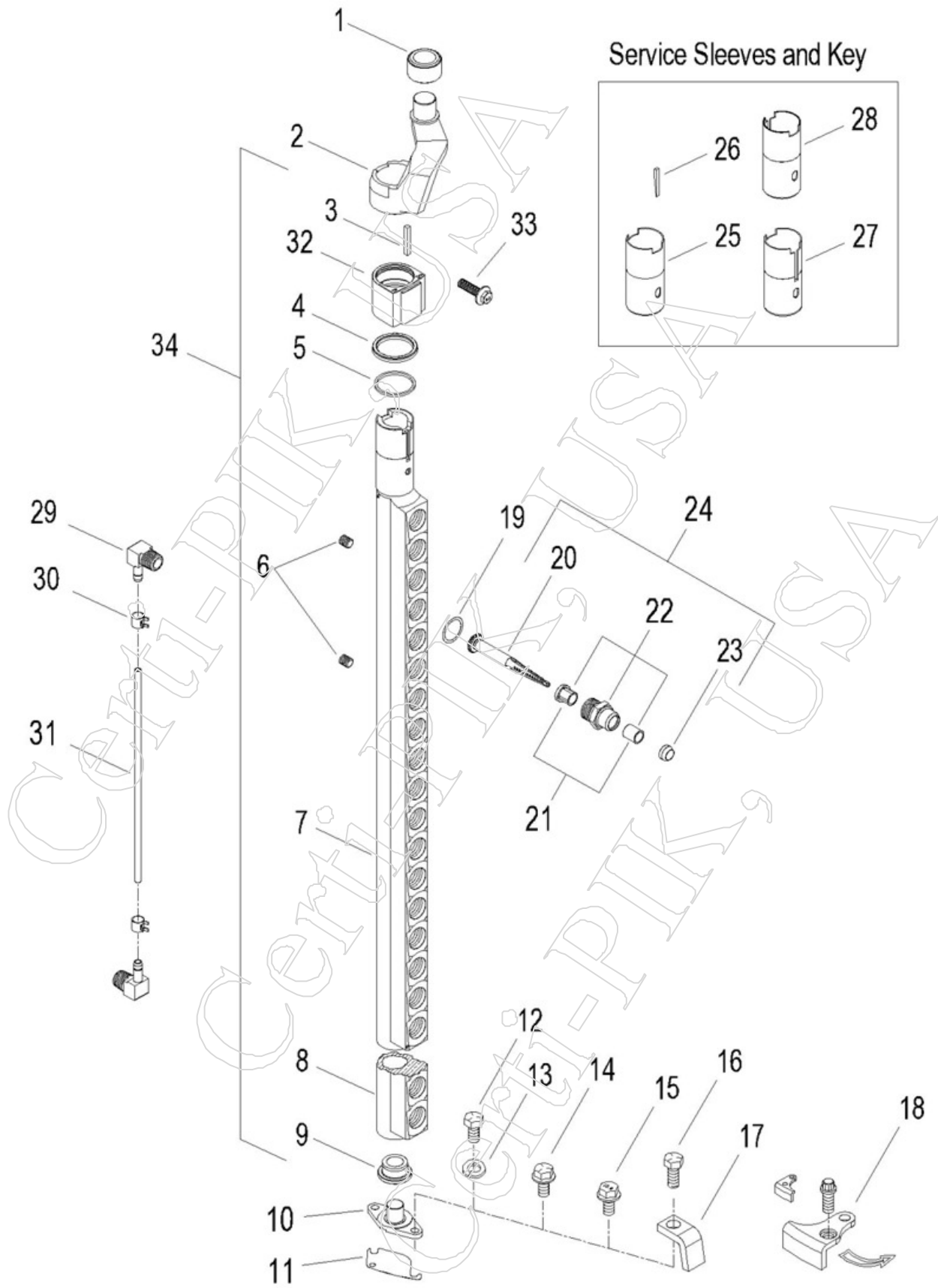
John Deere 9930-9935, 9950-CP690 Picker Bar and Spindle Assembly



John Deere 9930-9935, 9950-CP690 Picker Bar and Spindle Assembly

Item	Part	OEMPart	Qty	Desc
KIT	93320RPRM-A	<-----OEM	1	JD 18 SPINDLE INLINE BAR - FULLY ASSEMBLED
KIT	74501RPRM-A	<-----OEM	1	JD 18 SPINDLE PRO-12 BAR - FULLY ASSEMBLED
1	93500PRM	N193500	1	CAM ROLLER
2.1	98724R	N198724	NA	ARM, R.H. CAM FOLLOWER ARM (9930,9950-CP690)
2.2	98725L	N198725	NA	ARM, L.H. CAM FOLLOWER ARM, CONV. UNITS ONLY (ILL.)
3	64373	H64373	1	SQUARE KEY
4	19589P	N119589	1	SEAL, UPPER CUP (NOT USED ON PRO BARS)
5.1	19581P	N119581	1	SEAL, LOWER SQUARE (NOT USED ON PRO BARS)
5.2	19854P	T19854	AR	O-RING SEAL (9900-CP690) (2 USED ON PRO BARS)
6	00558P	15H558	AR	PLUG, 1/8 PIPE PLUG
7.1	93320RPRM	AN193320	1	BAR, 18 SPINDLE R.H. WITH PRESSED ON SLEEVE
7.2	74501RPRM	AN274501	1	BAR PRO-12, 18 SPINDLE PRO-12 SERIES WITH SLEEVE
8.1	73434RPRM	AN273434	1	BAR PRO-16, 20 SPINDLE PRO-16 SERIES WITH SLEEVE
8.2	92810RPRM	AN192810	1	BAR, 20 SPINDLE R.H. WITH PRESSED ON SLEEVE
8.3	92809LPRM	AN192809	1	BAR, 20 SPINDLE L.H. WITH PRESSED ON SLEEVE
9	74832P	N374832	1	JD BAR BUSHING (NEW STYLE SHORTER)
10	12291P	N112291	1	BAR STOOL PIVOT (9900-CP690)
11.1	93694P	N193694	1	SHIM, .003" BAR STOOL SHIM
11.2	90952P	N190952	1	SHIM, .005" BAR STOOL SHIM
11.3	90953P	N190953	1	SHIM, .010" BAR STOOL SHIM
12	01813P	19H1813	1	SCREW, 5/16 X 5/8" CAP SCREW GD5
13	07065P	12M7065	1	LOCK WASHER, 8mm (REPLACES 5/16")
14	03695P	19H3695	1	SCREW, 5/16 X 5/8" HEX FLANGE GD5
15	07865P	19M7865	1	SCREW, M8 X 16 HEX FLANGE
16	01900P	19H1900	1	CAP SCREW, 5/16 X 3/4" HEX HEAD (USED W/ #CPE683 DIRT SCRAPER)
17	CPE683	<-----OEM	1	DIRT SCRAPER (CAN BE ATTACHED POINTING UP OR DOWN)
18.1	CPE684CCW	<-----OEM	1	DIRT SCRAPER, CCW ROTATION, IN-LINE, INCLUDES 1x ATTACHING SCREW # CPE686P (ILL.)
18.2	CPE685CW	<-----OEM	1	DIRT SCRAPER, CW ROTATION
18.3	CPE687CCW	<-----OEM	1	PRO - DIRT SCRAPER ON BAR STOOL - CCW ROTATION - 9970-7760 - REQUIRES 1x CPE688P BOLT EACH ATTACHING HARDWARE (M8 X 20)
19.1	02889P	L2889N	AR	SHIM, .005" SPINDLE NUT SHIM
19.2	10223P	N110223	AR	SHIM, .010" SPINDLE NUT - (REPLACES CASE/IH #674980R2)
20.1	77078RP	N277078	AR	SPINDLE, PRO-XL PICKER SPINDLE RIGHT HAND
20.2	90332RP	N190332R	AR	SPINDLE, PICKER SPINDLE RIGHT HAND
20.3	90333LP	N190333L	AR	SPINDLE, PICKER SPINDLE LEFT HAND
21.1	13307P	N113307	AR	BUSHING, SPIN. BUSH. FLANGED (9900-CP690)
21.2	12394P	N112394	AR	BUSHING, SPIN. BUSH. STRAIGHT
22.1	11948R	AN111948	AR	ASSEMBLY, R.H. SPINDLE NUT WITH PRESSED BUSHINGS
22.2	11949L	AN111949	AR	ASSEMBLY, L.H. SPINDLE NUT WITH PRESSED BUSHINGS
23	79986P	N279986	AR	DUST CAP, SPINDLE (9900-CP690)
24.1	74216	AN274216	AR	JD - PRO SPINDLE ASSEMBLY
24.2	95082	AN195082	AR	ASSEMBLY, R.H. PRE-ASSEMBLED SPINDLE PARTS
24.3	95083	AN195083	AR	ASSEMBLY, L.H. PRE-ASSEMBLED SPINDLE PARTS
25	76373	N276373	1	SLEEVE, FULL LENGTH SERVICE SLEEVE, REPLACES DEERE N195657

John Deere 9930-9935, 9950-CP690 Picker Bar and Spindle Assembly

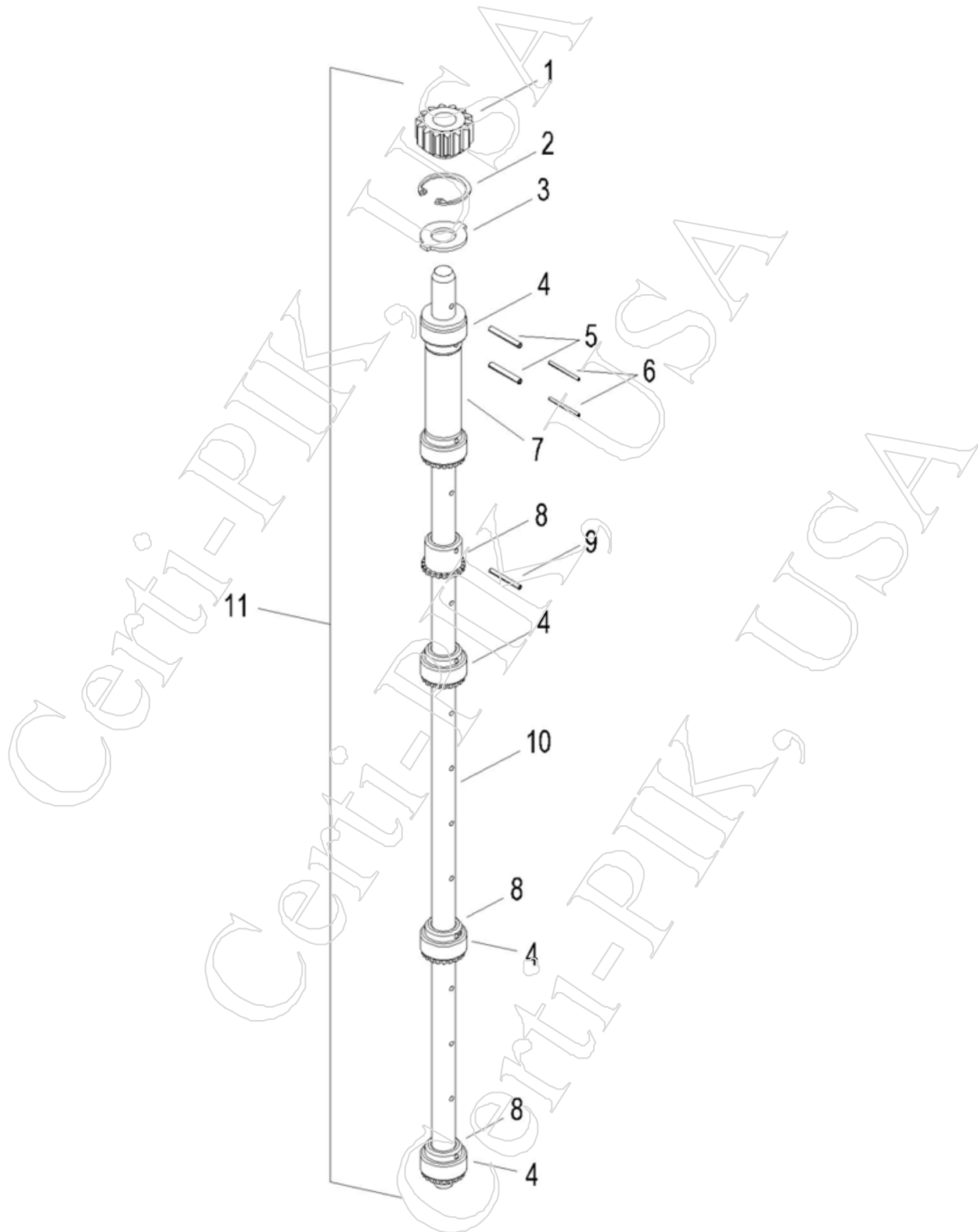


John Deere 9930-9935, 9950-CP690 Picker Bar and Spindle Assembly

30-2

<u>Item</u>	<u>Part</u>	<u>OEMPart</u>	<u>Qty</u>	<u>Desc</u>
26	95970	N195970	1	KEY, TAPERED SERVICE
27	95657K	<-----OEM	1	SLEEVE, KEYED SERVICE SLEEVE - CONV. & IN-LINE (NOT PRO)
28	76373K	<-----OEM	1	SLEEVE, KEYED SERVICE SLEEVE - PRO ONLY
29	15724P	N115724	1	UNION FITTING, 90 DEG LUBE LINE ELBOW
30.1	17044P	N117044	1	HOSE CLAMP, (HOSE OD .280)
30.2	17044FP	<-----OEM	1	HOSE CLAMP, 3/8" LONG FLARED ENDS (HOSE OD .280)
31.1	74964-01	N274964	1	HOSE, PICKER BAR LUBE (1000 FT)
31.2	74964-02	N274964	1	HOSE, PICKER BAR LUBE (100 FT MIN. RANDOM CUT)
32	70976	N370976	1	PRO BEARING - BAR JOURNAL (C-PIK) (9935-CP690)
33	07835P	19M7835	1	SCREW, M10 X 35 HEX FLANGE - PRO BEARING RETAINER
34.1	76734-K	AN276734	1	** KIT ** 20 SPINDLE (PRO) PICKER BAR (NOT ASSEMBLED) - DOES NOT INCLUDE ARM # 98724-R ARM OR SHIMS #02889P - INCLUDES PARTS IN DRIVE SHAFT KIT #76737-K
34.2	74502-K	AN274502	1	** KIT ** 18 SPINDLE (PRO) PICKER BAR (NOT ASSEMBLED) - DOES NOT INCLUDE ARM # 98724-R ARM OR SHIMS #02889P - INCLUDES PARTS IN DRIVE SHAFT KIT #76743-K

John Deere Spindle Drive Shaft Assembly

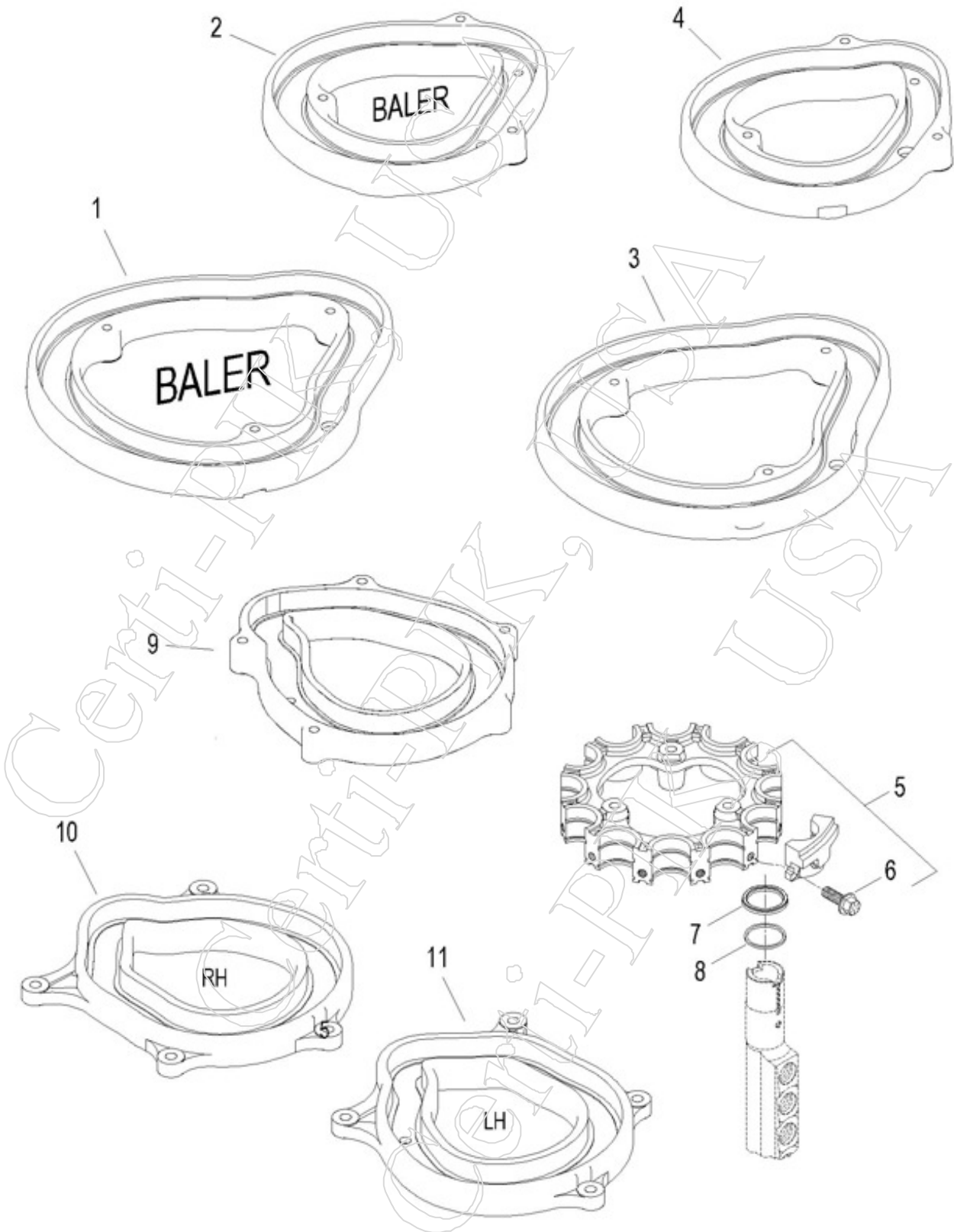


John Deere Spindle Drive Shaft Assembly

30-3

<u>Item</u>	<u>Part</u>	<u>OEMPart</u>	<u>Qty</u>	<u>Desc</u>
1	18289	N118289	1	DRIVE GEAR (9900-CP690)
2	23694P	T23694	1	SNAP RING (9900-CP690)
3.1	90988P	N190988	1	THRUST WASHER (ILL.)
3.2	78781	N278781	1	PRO THRUST WASHER - WILL FIT ALL MODELS USING #78782 SLEEVE
4.1	08804P	JD8804	4	BEARING, 23 NEEDLES
4.2	08804PFC	JD8804B	1	NEEDLE BEARING - FULL COMPLIMENT, USED ON BEARING SLEEVE #78782
5	00266P	34H266	2	SPRING PIN, 5/32 X 1" - YELLOW FINISH - USED ON TOP OF SPINDLE DRIVE SHAFT ONLY. IN HOLES IN TOP GEAR AND BEARING SLEEVE.
6	00235P	34H235	2	SPRING PIN, 3/32 X 1"
7	78782	N278782	1	BEARING SLEEVE - WILL FIT ALL MODELS USING #78781 THRUST-WASHER
8.1	02456P	L2456N	AR	SPINDLE GEAR, 1/8" PIN HOLE
8.2	71626P	N371626	AR	SPINDLE GEAR, 5/32" PIN HOLE
9.1	00045P	34H45	AR	SPRING PIN, 1/8 X 1"
9.2	00060P	34H60	AR	SPRING PIN, 5/32 X 1" - BLACK FINISH - USED ON SPINDLE DRIVE SHAFT.
10.1	14199	N114199	1	DRIVE SHAFT, 14 SPINDLE - 1/8" PIN HOLES IN GEARS
10.2	78037	N278037	1	DRIVE SHAFT, 18 SPINDLE - 1/8" PIN HOLES IN GEARS (9900-9976)
10.3	75212	N275212	1	DRIVE SHAFT, 20 SPINDLE - 1/8" PIN HOLES IN GEARS (9900-9976)
10.4	71720	N371720	1	DRIVE SHAFT, PRO 12 - 18 SPINDLE - 5/32" PIN HOLES IN GEAR (9970-CP690)
10.5	71572	N371572	1	DRIVE SHAFT, PRO 16 - 20 SPINDLE - 5/32" PIN HOLES IN GEAR (9976-CP690)
11.1	76737-K	AN276737	1	** KIT ** 20 SPINDLE (PRO) DRIVE SHAFT (NOT ASSEMBLED) - 5/32 GEAR & SHAFT HOLES
11.2	76743-K	AN276743	1	** KIT ** 18 SPINDLE (PRO) DRIVE SHAFT (NOT ASSEMBLED) - 5/32 GEAR & SHAFT HOLES

John Deere Cam Tracks and Drum Head

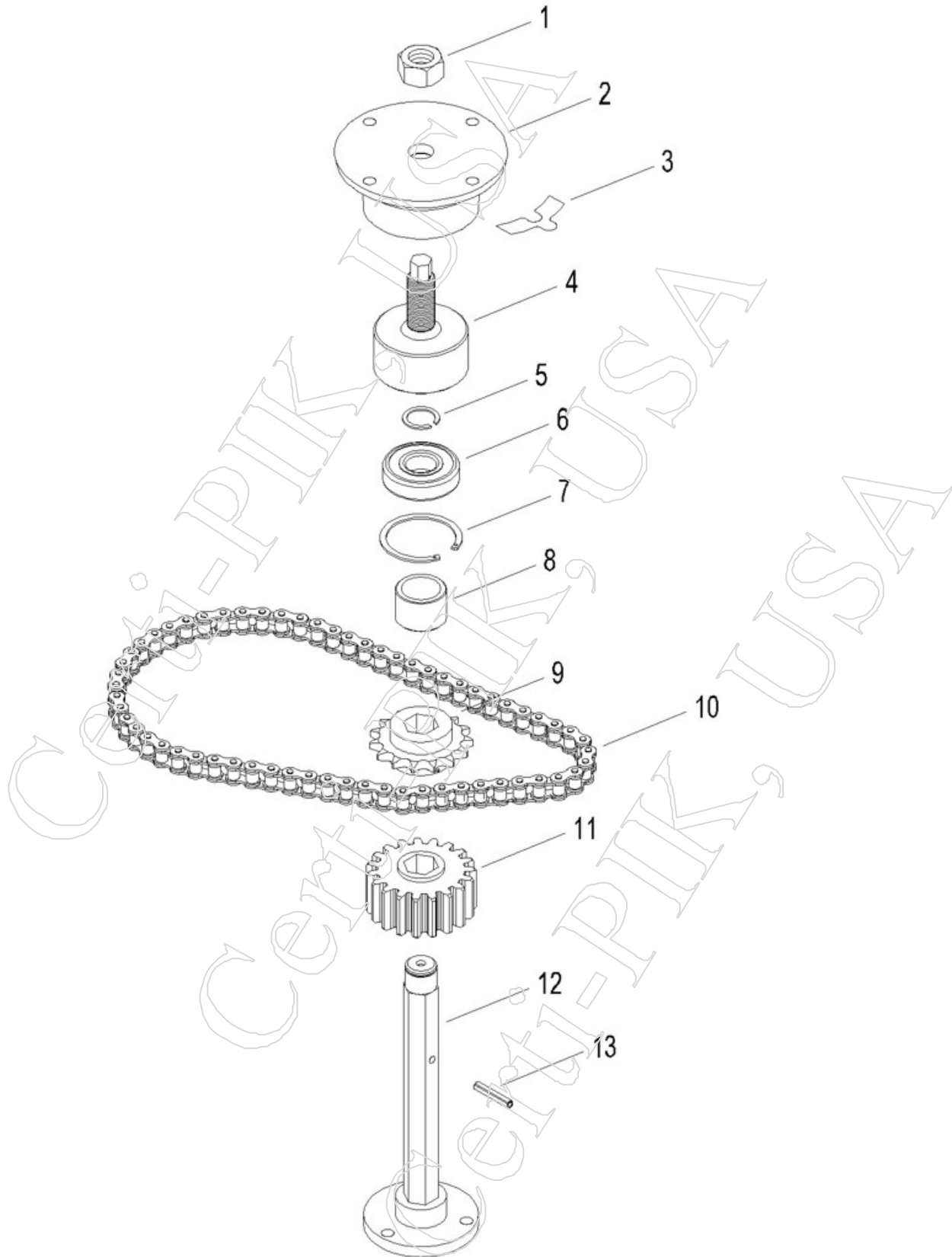


John Deere 9900-CP690 Cam Tracks and Drum Head

30-5

<u>Item</u>	<u>Part</u>	<u>OEMPart</u>	<u>Qty</u>	<u>Desc</u>
1	78790R	N378790	1	CAM TRACK, PRO-16 FRONT - BALER (7760-CP690)
2	78789R	N378789	1	CAM TRACK, PRO-12, & PRO-16 REAR - BALER (7760-CP690)
3	73016R	N273016	1	CAM TRACK, PRO-16 FRONT (9935-9996)
4	73012R	N273012	1	CAM TRACK, PRO-12, & PRO-16 REAR (9935-9996)
5.1	15235	AN115235	1	DRUM HEAD, 12-BAR, WITH LUBE HOLES IN CAPS (9900-9910)
5.2	72570	AN272570	1	DRUM HEAD, 12-BAR, 9900-9965 (SUBS AN191022 & AN115235)
6	03699P	19H3699	12	SCREW, 7/16" X 1-1/4" UNF SAE 8 HEX FLANGE
7	19589P	N119589	1	SEAL, UPPER CUP (NOT USED ON PRO BARS)
8.1	19581P	N119581	1	SEAL, LOWER SQUARE (NOT USED ON PRO BARS)
8.2	19854P	T19854	1	O-RING SEAL (9900-CP690) (2 USED ON PRO BARS)
9	97910R	N197910	1	CAM TRACK, 12-BAR IN-LINE UNITS (9935, 9960-9965)
10	90600R	N190600	1	CAM TRACK, R.H. 12-BAR (9900-9950 CONV.)
11	90601L	N190601	1	CAM TRACK, L.H. 12-BAR (9900-9950 CONV.)

John Deere Upper Doffer Adjustment Housing and Sprockets Assembly

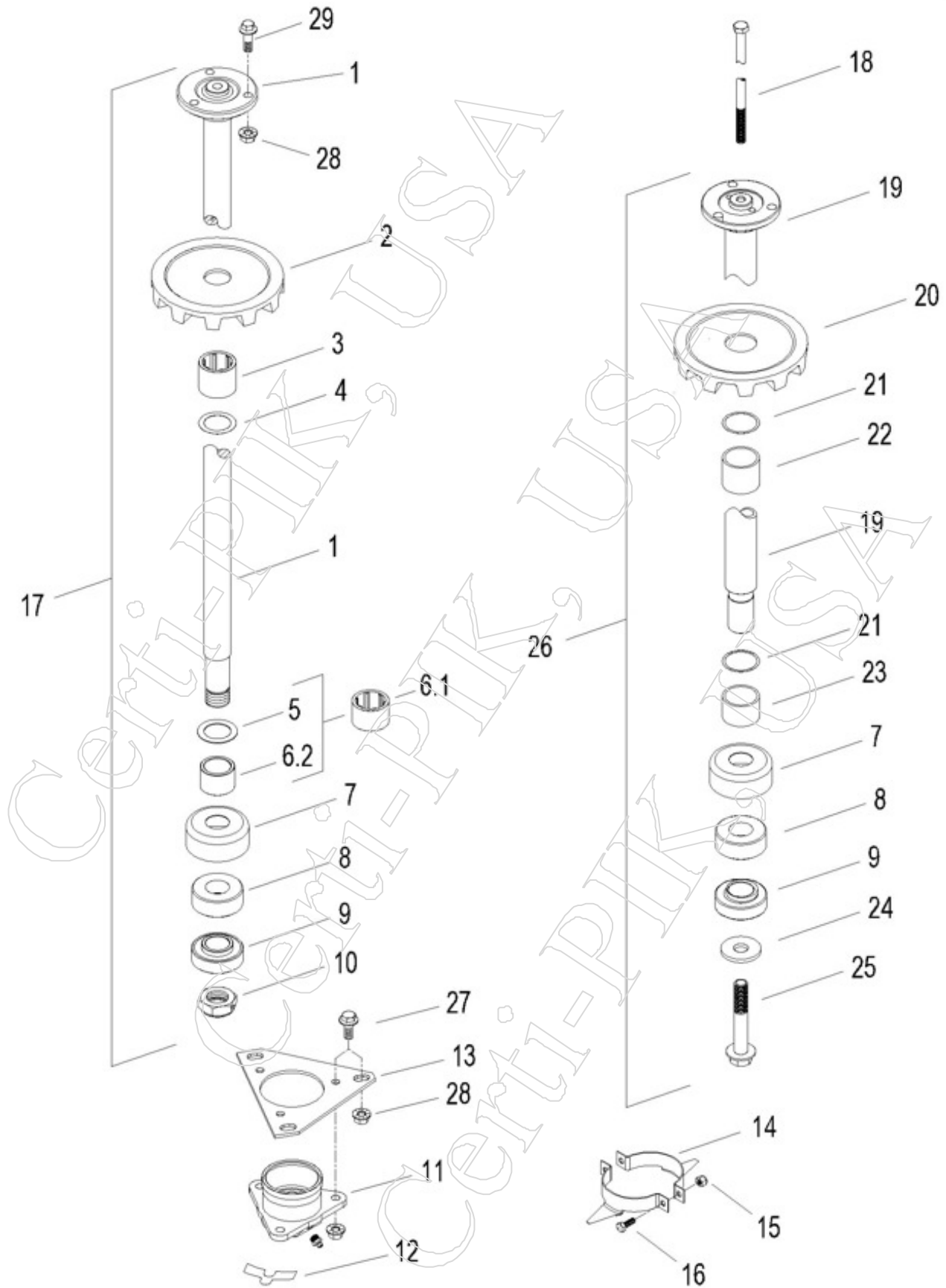


John Deere Upper Doffer Adjustment Housing and Sprockets Assembly

30-6

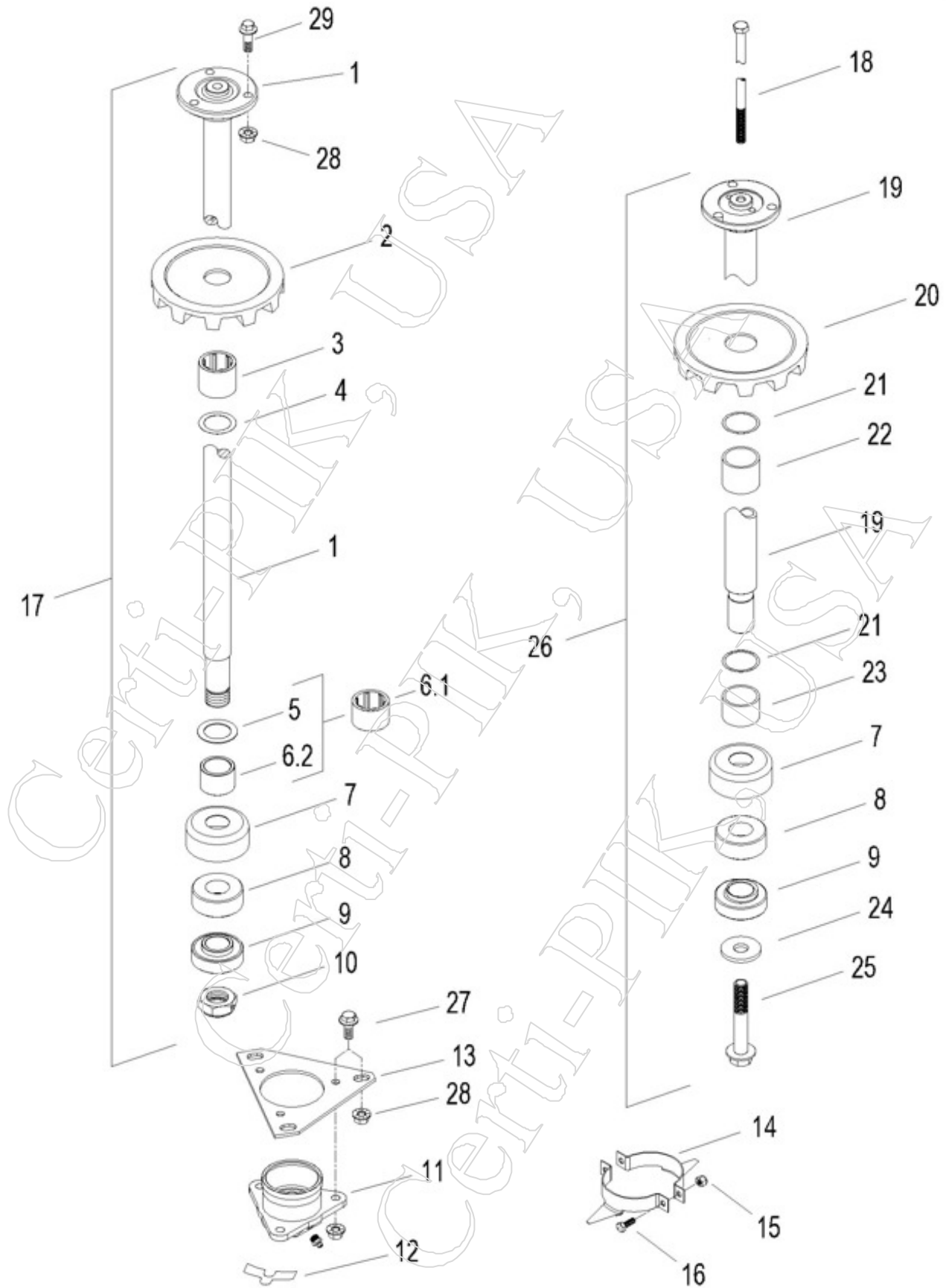
<u>Item</u>	<u>Part</u>	<u>OEMPart</u>	<u>Qty</u>	<u>Desc</u>
1.1	00852P	14H852	1	NUT, 7/8 (9900-9965)
1.2	77146P	N277146	1	PRO UPPER DOFFER ADJUSTMENT NUT - M24 (9970-7760)
2.1	14205	N114205	1	HOUSING, UPPER DOFFER ADJUSTMENT (9900-9965) (ILL.)
2.2	75853	N275853	1	PRO UPPER DOFFER ADJUSTMENT HOUSING (9970-7760)
3	34164P	N34164	AR	SHIM - HOUSING
4.1	95284	N195284	1	ADJUSTER (9900-9965) (ILL.)
4.2	75743	N375743	1	PRO DOFFER ADJUSTER (9970-7760)
5	43026P	P43026	1	SNAP RING (9900-7760)
6	09467P	JD9467	1	BEARING, UPPER DOFFER (9900-7760) / PRO LOWER IDLER
7	23156P	N123156	1	SNAP RING (9900-7760)
8.1	95726	N195726	1	SPACER (9935-9965 IN-LINE ONLY)
8.2	77150	N277150	1	PRO UPPER DOFFER SPACER (9970-7760)
9	90918	N190918	1	SPROCKET, CHAIN SPROCKET (9910-9965 CONV. ONLY)
10.1	13170	AN113170	1	LINK CHAIN, DOFFER DRIVE, 62 LINKS, 12-BAR (9900-9965)
10.2	13171	AN113171	1	LINK CHAIN, DOFFER DRIVE, 75 LINKS, 16-BAR (9900-9910)
11.1	97456	N197456	1	GEAR, SPUR GEAR (9935-9965 IN-LINE ONLY) 19 TOOTH
11.2	73954	N273954	NA	PRO UPPER DOFFER SPUR GEAR - 20 TOOTH (9970-7760)
12.1	90169	AN190169	1	SHAFT, HEX DOFFER DRIVE (9900-9965) (ILL.)
12.2	73484	AN273484	1	PRO HEX DOFFER DRIVE (9970-7760)
13.1	00316P	34H316	1	PIN, 1/4 X 1-1/2 SPRING PIN (9900-9965)
13.2	00385P	34H385	1	PIN, 1/4 X 1-3/4 SPRING PIN (PRO)

John Deere Dofer and Lower Housing Assembly



<u>Item</u>	<u>Part</u>	<u>OEMPart</u>	<u>Qty</u>	<u>Desc</u>
1.1	93262	AN193262	1	DOFFER SHAFT, 14 SPINDLE
1.2	93323	AN193323	1	DOFFER SHAFT, 18 SPINDLE
1.3	93263	AN193263	NA	USE #73701, OR #16193 - DOFFER SHAFT, 20 SPINDLE
1.4	74506	AN274506	1	DOFFER SHAFT, PRO-12 18 SPINDLE (9970-CP690 P12)
1.5	73701	AN273701	1	DOFFER SHAFT, PRO-16 20 SPINDLE (9976-CP690 P12)
2	72152PRM	AN272152	AR	DOFFER, PREMIUM URETHANE (9900-CP690 P12)
3	75381HD	<-----OEM	AR	DOFFER SPACER, LONG - SPLINED CENTER - HEAVY DUTY - (REPLACES N275381)
4.1	03197P	L3197N	AR	SHIM, DOFFER, .010" THICK - (9900-CP690 P12)
4.2	03197P-20	<-----OEM	AR	SHIM, DOFFER - .020" THICK
5	01633P	24H1633	1	WASHER, 1-17/64 X 1-7/8 X .048" (9930-9996), NOT 9960-9965 IN-LINE
6.1	80569	N380569	1	SHORT DOFFER SPACER - SPLINED (REPLACES 06133P & 98746)
6.2	98746	N198746	1	SPACER, SHORT SPACER (9900-9996 W/ #01633P) : (#01633P NOT USED ON 9960 & 9965 IN-LINE)
7.1	91302	N191302	1	DOFFER CAP (9900-9965 CONV.& IN-ILNE)
7.2	75471	N275471	1	DOFFER CAP, PRO (9970-CP690)
8.1	90913	N190913	1	SPACER, LOWER DOFFER BEARING SPACER, (9910-9965 CONV.)
8.2	96834	N196834	1	SPACER, LOWER DOFFER BEARING SPACER, (9935-9965 IN-LINE)
8.3	10874	N410874	1	SPACER, LOWER DOFFER BEARING SPACER, (PRO 9935-CP690) - REPLACES # N275350, & N371318
9.1	10123P	JD10123	1	BALL BEARING, LOWER DOFFER (9900-9965)
9.2	75022P	AN275022	1	BEARING, LOWER DOFFER -PRO- (9935, 9970-CP690)
10.1	82619	H82619	1	NUT, 1-1/8 LOCK NUT (9900-9965)
10.2	75038P	N275038	1	PRO DOFFER NUT, M30 NYLON LOCK NUT (9935-CP690 P12)
11	73953	AN273953	1	LOWER DOFFER HOUSING (9900-CP690) INCLUDES 1x 1/8" LUBE FITTING #07759P
12	34164P	N34164	AR	SHIM - HOUSING
13.1	93795	N193795	1	PLATE, DOFFER BASE PLATE (9900-9965) (USE 3x #10124P & 3x #10215P) (ILL.)
13.2	76703	N276703	1	DOFFER BASE PLATE, PRO (9935, 9970-CP690)
14	72482	N272482	2	VINE CUTTER, 2 PER DOFFER SHAFT (9900-CP690) (SOLD IN PAIRS ONLY) INCLUDES ATTACHING HARDWARE: 2x 14820PV - 1/4 X 3/4" HEX BOLT & 2x 10217PV - 1/4" LOCK NUT
15	10217PV	N10217	2	LOCK NUT, 1/4 NYLON (2 RQD.)
16	14820PV	N14820	2	BOLT, 1/4 X 3/4" HEX BOLT (2 RQD.)
17.1	72224-IL	AN272224	1	COMPLETE 18 SPINDLE URETHANE DOFFER ASSEMBLY - (MODELS 9935, 9960 & 9965 IN-LINE ONLY) - (INCLUDES ITEMS 1-10, NOT 5) *GROUND AND READY TO INSTALL *
17.2	72225	AN272225	NA	(REPALED BY PART #73445, OR #17562) - COMPLETE 20 SPINDLE URETHANE DOFFER ASSEMBLY
17.3	74508	AN274508	1	COMPLETE 18 SPINDLE URETHANE DOFFER ASSEMBLY - (PRO 9970-CP690) - (INCLUDES ITEMS 1-10) * GROUND AND READY TO INSTALL *
17.4	73445	AN273445	1	COMPLETE 20 SPINDLE URETHANE DOFFER ASSEMBLY - (PRO 9976-7760) - (INCLUDES ITEMS 1-10) * GROUND AND READY TO INSTALL *
18	10545P	19M10545	1	CAP SCREW M10 X 280 - CP690 PRO-16
19	16193	AKK16193	1	DOFFER SHAFT - CP690 PRO16 - (LARGE DIA HOLLOW SHAFT) 20S
20	06038PRM	AN406038	AR	DOFFER, PREMIUM URETHANE (CP690 P16) - LARGE HOLE
21	00789P	N400789	AR	DOFFER SHIM .010" - CP690 PRO-16 - LARGE HOLE
22	15280	KK15280	AR	DOFFER SPACER, LONG - CP690 PRO-16 - LARGE HOLE
23	15281	KK15281	1	DOFFER SPACER, SHORT - CP690 PRO-16 - LARGE HOLE

John Deere Dofer and Lower Housing Assembly

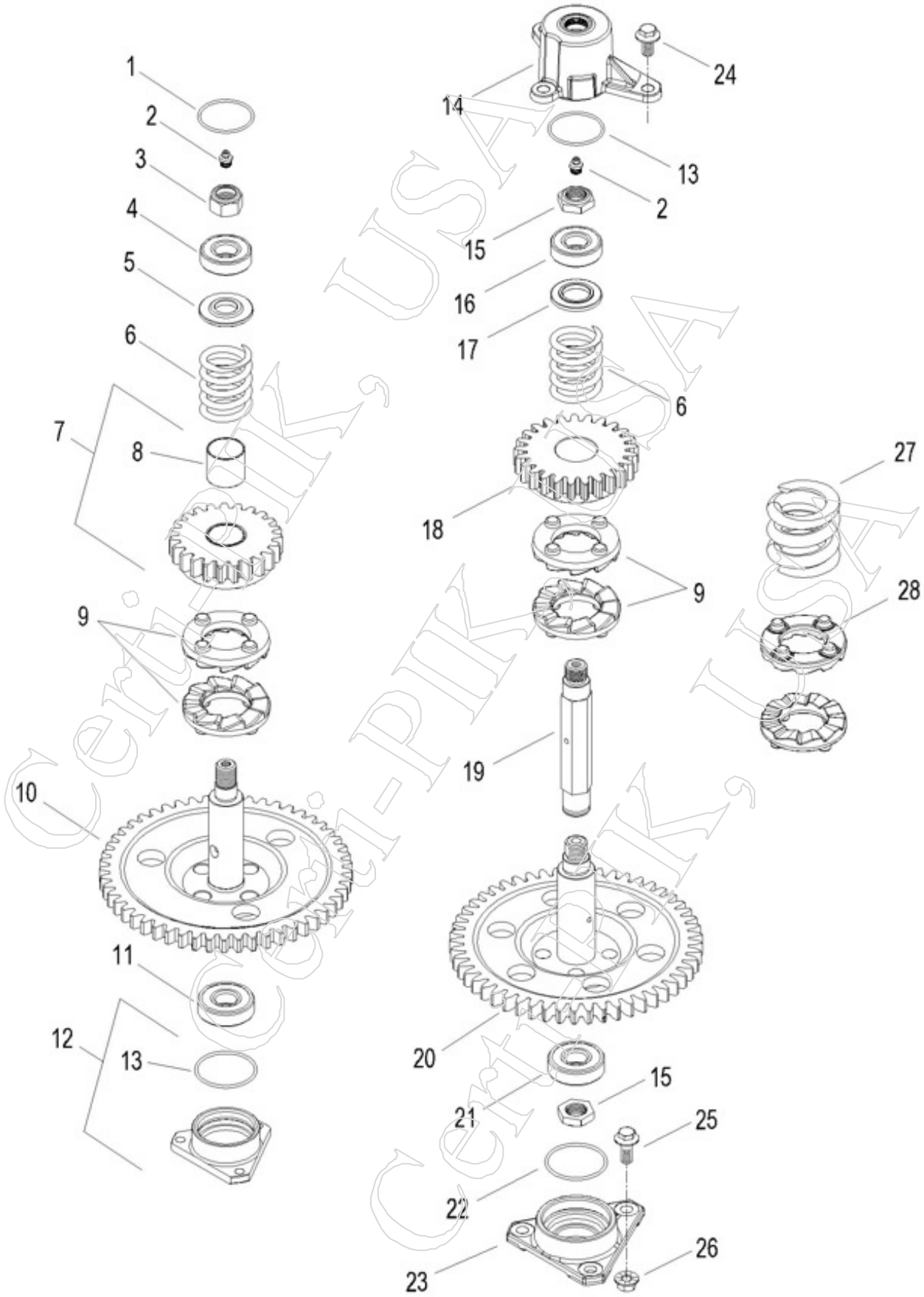


John Deere Doffer and Lower Housing Assembly

30-7

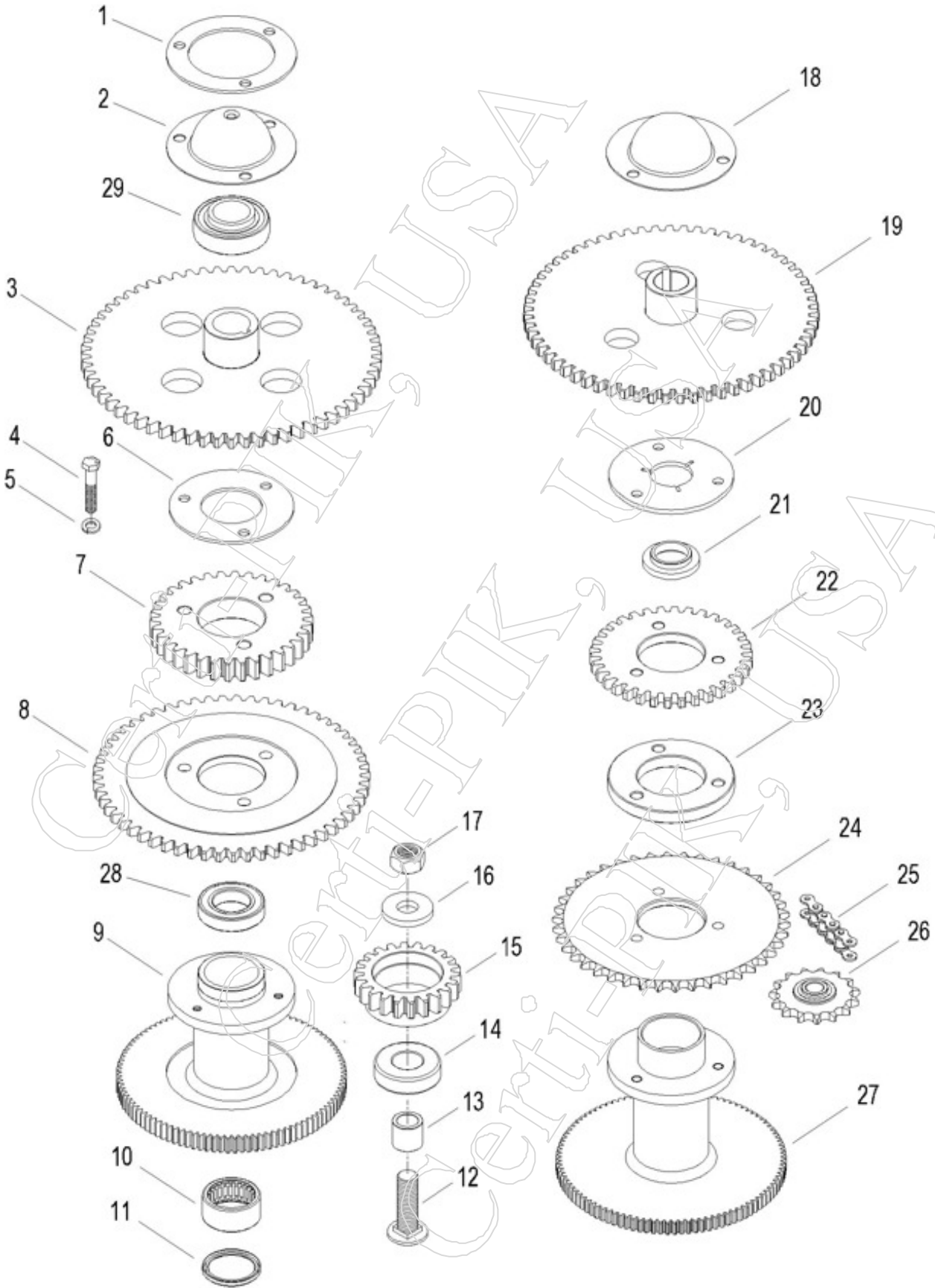
<u>Item</u>	<u>Part</u>	<u>OEMPart</u>	<u>Qty</u>	<u>Desc</u>
24	34803	N134803	1	WASHER - CP690 PRO-16
25	07828P	19M7828	1	SCREW - M16 X 100 - CP690 PRO-16
26	17562	AKK17562	1	DOFFER ASSEMBLY - CP690 PRO-16 BALER - 20S (HIGH SPEED)
27	75625P	N275625P	6	SCREW - M10 X 25 - SERR FLANGE
28	63526P	E63526	6	M10 LOCK NUT
29	07786P	19M7786	3	SCREW - M10 X 30 - SMOOTH FLANGE

John Deere Idler Gear Assy



Item	Part	OEMPart	Qty	Desc
1	03690P	B3690R	1	O-RING, (9965) UPPER IDLER BRG
2	07759P	JD7759	1	LUBE FITTING - 1/8"
3	01345	N101345	1	NUT, 3/4 UNF LOCK NUT (ALL MODELS 9900-9965) REPLACES H34753
4	07142P	JD7142	1	BALL BEARING, TOP IDLER GEAR (9900-9965)
5	10133	N110133	1	WASHER, IDLER GEAR SPRING WASHER (9900-9965)
6	31738	N131738	1	SPRING, (.244 WIRE) 5 COIL (9900-CP690)
7	93393	AN193393	1	SPUR GEAR, 23T, IDLER-GROUND DRIVE (9960)
8	01713P	L1713C	1	BUSHING, (9900-9965)
9.1	90954	N190954	1	SLIP CLUTCH, R.H.(SOLD IN PAIRS ONLY) (9900-CP690)
9.2	90955	N190955	1	SLIP CLUTCH, L.H. (SOLD IN PAIRS ONLY) (9910-9965 CONV.)
10.1	10124G	AN110124	1	GEAR, IDLER GEAR (9900-9950 CONV.)
10.2	72285	AN272285	1	GEAR, IDLER GEAR (9935, 9960-9965 IN-LINE)
11	09324P	JD9324	1	BALL BEARING, BOTTOM IDLER GEAR (9900-9965)
12.1	10137	N110137	1	HOUSING, LOWER IDLER GEAR (9900-9950 CONV.), MACHINED FROM STEEL
12.2	99063	N199063	1	STEEL HOUSING, LOWER IDLER GEAR (9960-9965 IN-LINE), MACHINED FROM STEEL, SUBS OEM ALUMINUM STYLE (INCLUDES 1x #13: #40708P) (ILL.)
13	40708P	U40708	1	O-RING, (LOWER HOUSING: 9960-65 IN-LINE, UPPER HOUSING: 9935-7760 PRO)
14	71737	N371737	1	STEEL HOUSING - UPPER IDLER (9935, 9970-CP690 PRO)
15	75033P	N275033	1	LOCK NUT M20 (9935, 9970-CP690 PRO)
16	09321P	JD9321	1	BALL BEARING - UPPER IDLER (9935, 9970-7760 PRO)
17	78401	N278401	NA	WASHER - IDLER GEAR SPRING WASHER (9970-CP690 PRO)
18	73468	AN273468	NA	SPUR GEAR - 25T, IDLER-GROUND DRIVE (9970-CP690 PRO)
19	76291	N276291	1	DRIVE SHAFT, HEX - IDLER GEAR (9935, 9970-CP690 PRO)
20.1	74017	N274017	1	GEAR, IDLER GEAR - 12 BAR, (9935, 9970-CP690 PRO) - (REPLACES OEM PARTS:#N274017, #N276291, & #N274013) INCLUDES 1x #75033P BOTTOM NUT
20.2	74016	N274016	1	GEAR, IDLER GEAR - 16 BAR, (9976-CP690) - (REPLACES OEM PARTS:#N274016, #N276291, & #N274013) INCLUDES 1x #75033P BOTTOM NUT
21	09467P	JD9467	1	BEARING, UPPER DOFFER (9900-7760) / PRO LOWER IDLER
22	43518P	M43518	1	O-RING - LOWER IDLER (9935, 9970-CP690 PRO)
23	71736	N371736	1	STEEL HOUSING - LOWER IDLER (9935, 9970-CP690 PRO)
24	75620P	N275620	1	SCREW - M10 X 20 - SERR FLANGE
25	07785P	19M7785	1	SCREW - M10 X 25 - SMOOTH FLANGE
26	63526P	E63526	1	M10 LOCK NUT
27	96960	N196960	1	SPRING - COMPRESSION - (.50 WIRE) 4 COIL - LOWER GEAR CASE HUB
28	99180	N199180	1	JD - SLIP CLUTCH (SOLD IN PAIRS ONLY) LOWER GEAR CASE = ALL 9935, 9960 - CP690: CONV, IN-LINE & PRO UNITS, UNIT DRIVE = 9910 - 9950 , (2x 99180 = 1x AN274314)

John Deere Upper Drum Drive Assy



<u>Item</u>	<u>Part</u>	<u>OEMPart</u>	<u>Qty</u>	<u>Desc</u>
1	96507	N196507	1	RING, BEARING (9935, 9960-9965 IN-LINE)
2	96839	N196839	NA	COVER, (9935, 9960-9965 IN-LINE) - (CALL FOR AVAILABILITY)
3	94104	AN194104	1	SPUR GEAR, 64T DRUM-GROUND DRIVE, (9930, 9960)
4	03065P	19H3065	3	CAP SCREW, 3/8 X 2"
5	00304P	12H304	3	LOCK WASHER, 3/8"
6	96594	N196594	1	WASHER
7	99039P	N199039	1	SPUR GEAR, 34T, DRUM-SPINDLE DRIVE (9930, 9960-9965)
8	97457P	N197457	1	SPUR GEAR, 59T, DRUM-DOFFER DRIVE, (9960)
9	72096	AN272096	1	SUN GEAR, (9935, 9960-9965 IN-LINE) 12 BAR WITH 11/16" THICK CUPPED GEAR, INCLUDES 1x BEARING #09813P & 1x SEAL #01206P
10	08823P	JD8823	1	NEEDLE BEARING, SUN GEAR
11	01206P	L1206N	1	SEAL, SUN GEAR (9900-9965)
12	02339P	03H2339	1	BOLT, 3/4" X 2-1/2" CARRIAGE BOLT
13	95727	N195727	1	SPACER, DOFFER DRIVE, (9935, 9960-9965 IN-LINE)
14	08674P	JD8674	NA	BALL BEARING, DOFFER DRIVE (9935, 9960-9965 IN-LINE) - (CALL FOR AVAILABILITY)
15	97052P	N197052	1	SPUR GEAR, 22T, DOFFER DRIVE
16	01402P	24H1402	1	WASHER, DOFFER DRIVE (9935, 9960-9965 IN-LINE)
17	40016P	K40016	1	LOCK NUT, 3/4" DOFFER DRIVE (9935, 9960-9965 IN-LINE)
18	15509	N115509	NA	COVER, BEARING (9900-9950 CONV.) - (CALL FOR AVAILABILITY)
19	91052	AN191052	1	SPUR GEAR, 63T, DRUM-GROUND DRIVE, (9950)
20	93659	N193659	1	SPACER, .187" THICK, (9900-9950 CONV.)
21	15573	N115573	1	BUSHING, (9900-9950 CONV.)
22	14167P	N114167	1	SPUR GEAR, 34T, DRUM-SPINDLE DRIVE, (9900-9950 CONV.)
23	14173	N114173	1	SPACER, (9900-9950 CONV.)
24	14175	N114175	1	SPROCKET, 42T, DRUM, CHAIN DOFFER-DRIVE, (9900-9950 CONV.)
25.1	13170	AN113170	1	LINK CHAIN, DOFFER DRIVE, 62 LINKS, 12-BAR (9900-9965)
25.2	13171	AN113171	1	LINK CHAIN, DOFFER DRIVE, 75 LINKS, 16-BAR (9900-9910)
26	15321P	AN115321	1	SPROCKET, DOFFER DRIVE CHAIN TIGHTENER, CONV. UNITS (9900-9950 CONV.)
27.1	13616	AN113616	1	SUN GEAR (9900-9910) 16 BAR WITH 9/16" THICK GEAR, 1/8"LUBE HOLE & FITTING 00558P, INCLUDES 2x BEARING #09813P & 1x SEAL #01206P
27.2	74460	AN274460	1	SUN GEAR (9900-9950) 12 BAR WITH 9/16" THICK GEAR, 1/8"LUBE HOLE & FITTING 00558P, INCLUDES 2x BEARING #09813P & 1x SEAL #01206P
28	09323P	JD9323	1	BALL BEARING - UPPER DRUM DRIVE GEAR (9930-35, 9965-CP690)
29	09209P	JD9209	1	BALL BEARING - UPPER DRUM COVER (IN-LINE & PRO MACHINES)