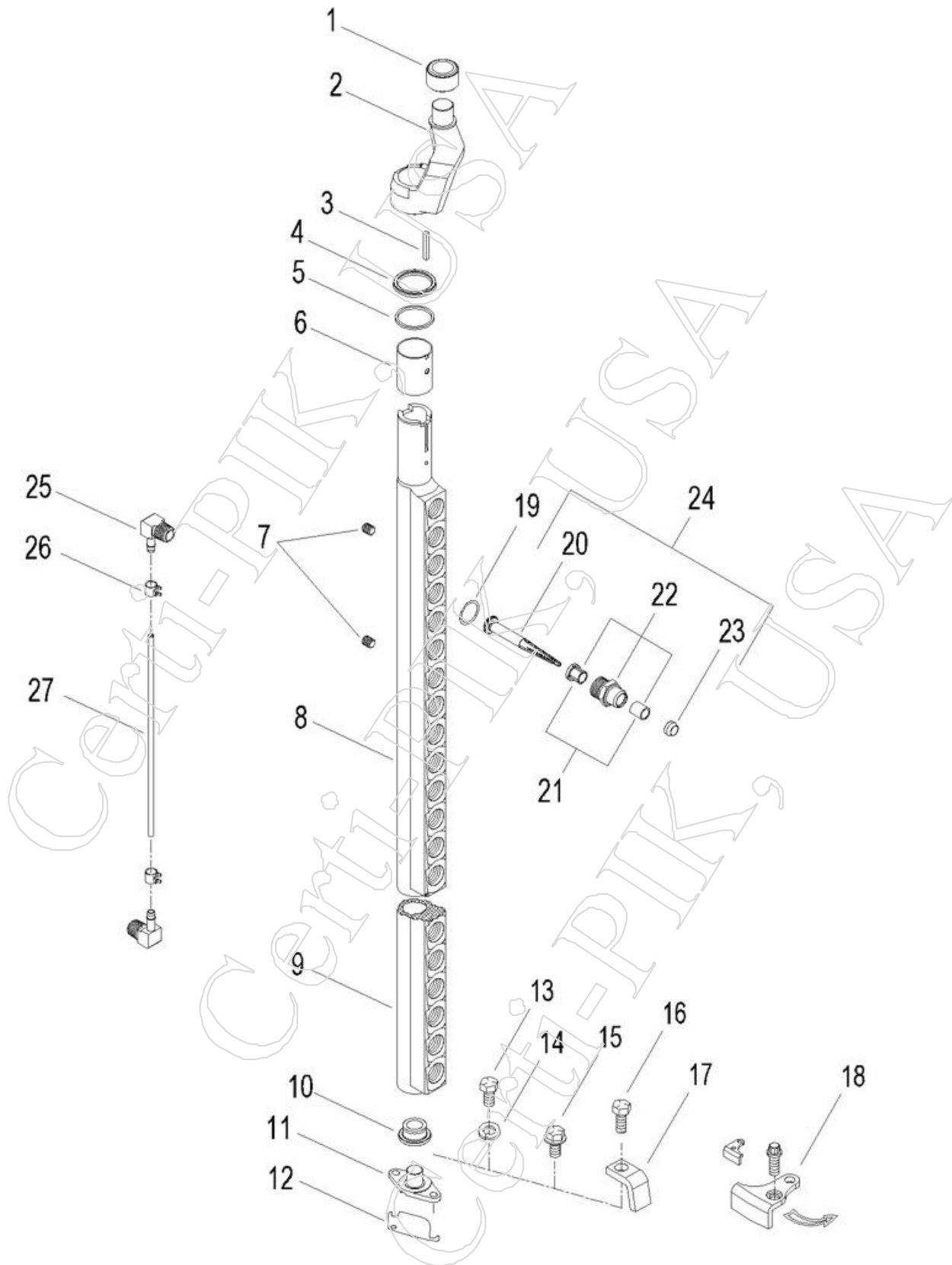


John Deere 9900-9920, 9940 Picker Bar and Spindle Assembly

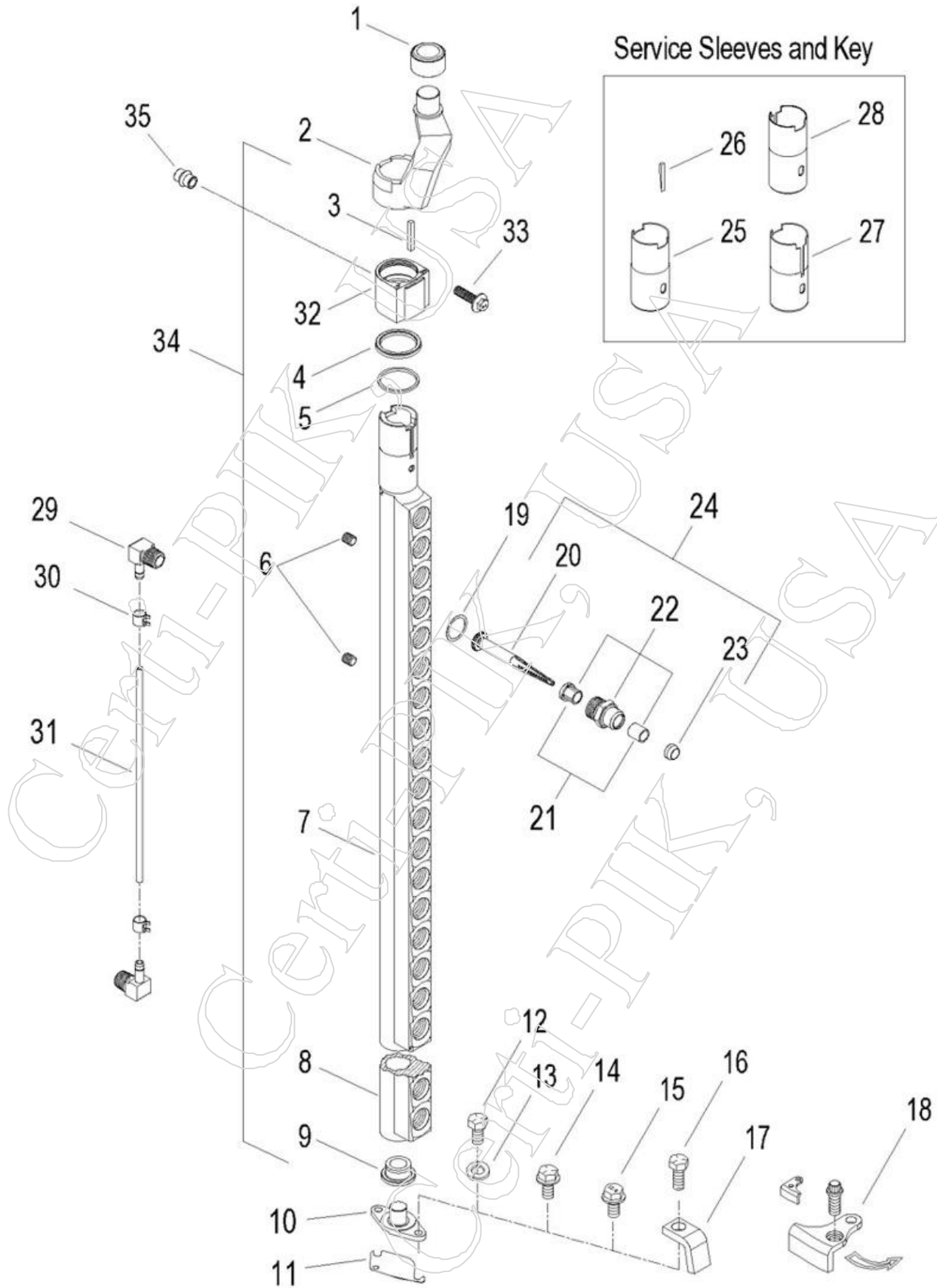


John Deere 9900-9920, 9940 Picker Bar and Spindle Assembly

30-1

Item	Part	OEMPart	Qty	Desc
1	93500PRM	N193500	1	CAM ROLLER
2.1	14682R	N114682	NA	ARM - R.H. CAM FOLLOWER
2.2	14683L	N114683	NA	ARM - L.H. CAM FOLLOWER (ILL.)
3	64373	H64373	1	SQUARE KEY
4	19589P	N119589	1	SEAL - UPPER CUP (NOT USED ON PRO BARS)
5.1	19581P	N119581	1	SEAL - LOWER SQUARE (NOT USED ON PRO BARS)
5.2	19854P	T19854	1	O-RING SEAL - (9900-CP690) (2 USED ON PRO BARS)
6.1	17859P	N117859	1	SLEEVE - SHORT SPLIT SERVICE SLEEVE
6.2	17000	<-----OEM	1	SLEEVE - SHORT UN-SPLIT SERVICE SLEEVE
7	00558P	15H558	AR	PLUG - 1/8 PIPE PLUG
8.1	90786R	AN190786	1	BAR - 14 SPINDLE R.H.
8.2	90787L	AN190787	1	BAR - 14 SPINDLE L.H.
9.1	92756RPRM	AN192756	1	BAR - 20 SPINDLE R.H.
9.2	92755LPRM	AN192755	1	BAR - 20 SPINDLE L.H.
10	74832P	N374832	1	JD BAR BUSHING (NEW STYLE SHORTER)
11	12291P	N112291	1	BAR STOOL PIVOT (9900-CP690)
12.1	93694P	N193694	1	SHIM - .003" BAR STOOL SHIM
12.2	90952P	N190952	1	SHIM - .005" BAR STOOL SHIM
12.3	90953P	N190953	1	SHIM - .010" BAR STOOL SHIM
13	01813P	19H1813	1	BOLT - 5/16 X 5/8" HEX HEAD GD5
14	07065P	12M7065	1	WASHER - 8mm LOCK (REPLACES 5/16")
15	03695P	19H3695	1	BOLT - 5/16 X 5/8" - SMOOTH HEX FLANGE GD5
16	01900P	19H1900	1	BOLT - 5/16 X 3/4" HEX HEAD (USED W/ #CPE683 DIRT SCRAPER)
17	CPE683	<-----OEM	1	DIRT SCRAPER (CAN BE ATTACHED POINTING UP OR DOWN)
18.1	CPE684CCW	<-----OEM	1	DIRT SCRAPER - CCW ROTATION, IN-LINE, INCLUDES 1x ATTACHING SCREW # CPE686P (ILL.)
18.2	CPE685CW	<-----OEM	1	DIRT SCRAPER - CW ROTATION
19.1	02889P	L2889N	AR	SHIM - .005" SPINDLE NUT SHIM
19.2	10223P	N110223	AR	SHIM - .010" SPINDLE NUT - (REPLACES CASE/IH #674980R2)
20.1	77078RP	N277078	AR	SPINDLE - PRO-XL PICKER SPINDLE RIGHT HAND
20.2	90332RP	N190332R	AR	SPINDLE - PICKER SPINDLE RIGHT HAND
20.3	90333LP	N190333L	AR	SPINDLE - PICKER SPINDLE LEFT HAND
21.1	13307P	N113307	AR	BUSHING - SPIN. BUSH. FLANGED (9900-CP690)
21.2	12394P	N112394	AR	BUSHING - SPIN. BUSH. STRAIGHT
22.1	11948R	AN111948	AR	ASSEMBLY - R.H. SPINDLE NUT WITH PRESSED BUSHINGS
22.2	11949L	AN111949	AR	ASSEMBLY - L.H. SPINDLE NUT WITH PRESSED BUSHINGS
23	79986	N279986	AR	DUST CAP - SPINDLE (9900-CP690)
24.1	95082	AN195082	AR	ASSEMBLY - R.H. PRE-ASSEMBLED SPINDLE PARTS
24.2	95083	AN195083	AR	ASSEMBLY - L.H. PRE-ASSEMBLED SPINDLE PARTS
25	15724P	N115724	1	UNION FITTING - 90 DEG LUBE LINE ELBOW
26.1	17044P	N117044	1	HOSE CLAMP - (HOSE OD .280)
26.2	17044FP	<-----OEM	1	HOSE CLAMP - 3/8" LONG FLARED ENDS (HOSE OD .280)
27.1	74964-01	N274964	1	HOSE - PICKER BAR LUBE (1000 FT)
27.2	74964-02	N274964	1	HOSE - PICKER BAR LUBE (100 FT MIN. RANDOM CUT)

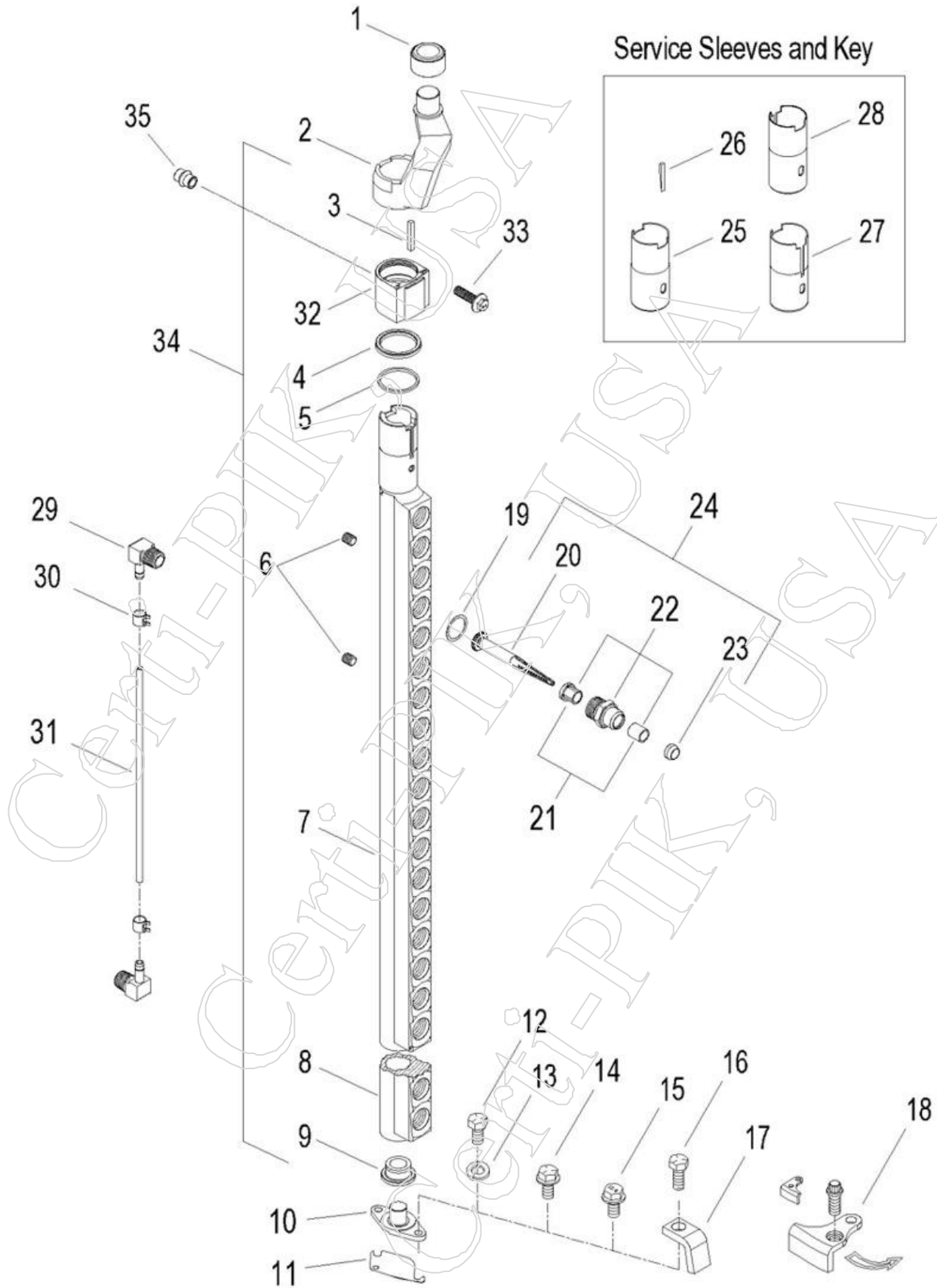
John Deere 9930-9935, 9950-CP690 Picker Bar and Spindle Assembly



John Deere 9930-9935, 9950-CP690 Picker Bar and Spindle Assembly

Item	Part	OEMPart	Qty	Desc
KIT	93320RPRM-A	<-----OEM	1	JD 18 SPINDLE INLINE BAR - FULLY ASSEMBLED
KIT	74501RPRM-A	<-----OEM	1	JD 18 SPINDLE PRO-12 BAR - FULLY ASSEMBLED
1	93500PRM	N193500	1	CAM ROLLER
2.1	98724R	N198724	NA	ARM - R.H. CAM FOLLOWER ARM (9930,9950-CP690)
2.2	98725L	N198725	NA	ARM - L.H. CAM FOLLOWER ARM, CONV. UNITS ONLY (ILL.)
3	64373	H64373	1	SQUARE KEY
4	19589P	N119589	1	SEAL - UPPER CUP (NOT USED ON PRO BARS)
5.1	19581P	N119581	1	SEAL - LOWER SQUARE (NOT USED ON PRO BARS)
5.2	19854P	T19854	AR	O-RING SEAL - (9900-CP690) (2 USED ON PRO BARS)
6	00558P	15H558	AR	PLUG - 1/8 PIPE PLUG
7.1	93320RPRM	AN193320	1	BAR - 18 SPINDLE R.H. WITH PRESSED ON SLEEVE
7.2	74501RPRM	AN274501	1	BAR - PRO-12, 18 SPINDLE PRO-12 SERIES WITH SLEEVE
8.1	73434RPRM	AN273434	1	BAR - PRO-16, 20 SPINDLE PRO-16 SERIES WITH SLEEVE
8.2	92810RPRM	AN192810	1	BAR - 20 SPINDLE R.H. WITH PRESSED ON SLEEVE
8.3	92809LPRM	AN192809	1	BAR - 20 SPINDLE L.H. WITH PRESSED ON SLEEVE
9	74832P	N374832	1	JD BAR BUSHING (NEW STYLE SHORTER)
10	12291P	N112291	1	BAR STOOL PIVOT (9900-CP690)
11.1	93694P	N193694	1	SHIM - .003" BAR STOOL SHIM
11.2	90952P	N190952	1	SHIM - .005" BAR STOOL SHIM
11.3	90953P	N190953	1	SHIM - .010" BAR STOOL SHIM
12	01813P	19H1813	1	BOLT - 5/16 X 5/8" HEX HEAD GD5
13	07065P	12M7065	1	WASHER - 8mm LOCK (REPLACES 5/16")
14	03695P	19H3695	1	BOLT - 5/16 X 5/8" - SMOOTH HEX FLANGE GD5
15	07865P	19M7865	1	BOLT - M8 X 16 - SMOOTH HEX FLANGE
16	01900P	19H1900	1	BOLT - 5/16 X 3/4" HEX HEAD (USED W/ #CPE683 DIRT SCRAPER)
17	CPE683	<-----OEM	1	DIRT SCRAPER (CAN BE ATTACHED POINTING UP OR DOWN)
18.1	CPE684CCW	<-----OEM	1	DIRT SCRAPER - CCW ROTATION, IN-LINE, INCLUDES 1x ATTACHING SCREW # CPE686P (ILL.)
18.2	CPE685CW	<-----OEM	1	DIRT SCRAPER - CW ROTATION
18.3	CPE687CCW	<-----OEM	1	PRO - DIRT SCRAPER ON BAR STOOL - CCW ROTATION - 9970-7760 - REQUIRES 1x CPE688P BOLT EACH ATTACHING HARDWARE (M8 X 20)
19.1	02889P	L2889N	AR	SHIM - .005" SPINDLE NUT SHIM
19.2	10223P	N110223	AR	SHIM - .010" SPINDLE NUT - (REPLACES CASE/IH #674980R2)
20.1	77078RP	N277078	AR	SPINDLE - PRO-XL PICKER SPINDLE RIGHT HAND
20.2	90332RP	N190332R	AR	SPINDLE - PICKER SPINDLE RIGHT HAND
20.3	90333LP	N190333L	AR	SPINDLE - PICKER SPINDLE LEFT HAND
21.1	13307P	N113307	AR	BUSHING - SPIN. BUSH. FLANGED (9900-CP690)
21.2	12394P	N112394	AR	BUSHING - SPIN. BUSH. STRAIGHT
22.1	11948R	AN111948	AR	ASSEMBLY - R.H. SPINDLE NUT WITH PRESSED BUSHINGS
22.2	11949L	AN111949	AR	ASSEMBLY - L.H. SPINDLE NUT WITH PRESSED BUSHINGS
23	79986	N279986	AR	DUST CAP - SPINDLE (9900-CP690)
24.1	74216	AN274216	AR	JD - PRO SPINDLE ASSEMBLY
24.2	95082	AN195082	AR	ASSEMBLY - R.H. PRE-ASSEMBLED SPINDLE PARTS
24.3	95083	AN195083	AR	ASSEMBLY - L.H. PRE-ASSEMBLED SPINDLE PARTS
25	76373	N276373	1	SLEEVE - FULL LENGTH SERVICE SLEEVE, REPLACES DEERE N195657
26	95970	N195970	1	KEY - TAPERED SERVICE

John Deere 9930-9935, 9950-CP690 Picker Bar and Spindle Assembly

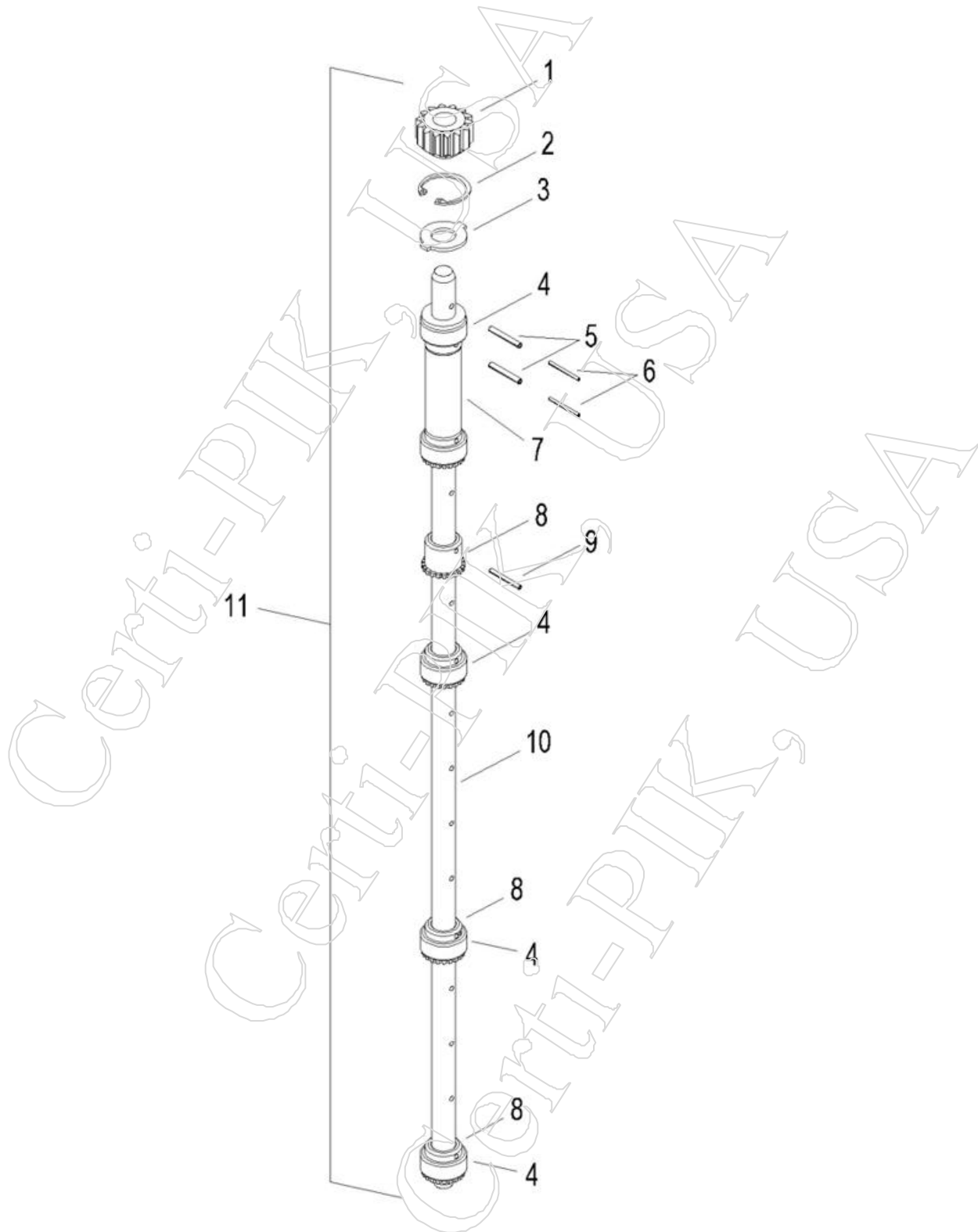


John Deere 9930-9935, 9950-CP690 Picker Bar and Spindle Assembly

30-2

Item	Part	OEMPart	Qty	Desc
27	95657K	<-----OEM	1	SLEEVE - KEYED SERVICE SLEEVE - CONV. & IN-LINE (NOT PRO)
28	76373K	<-----OEM	1	SLEEVE - KEYED SERVICE SLEEVE - PRO ONLY
29	15724P	N115724	1	UNION FITTING - 90 DEG LUBE LINE ELBOW
30.1	17044P	N117044	1	HOSE CLAMP - (HOSE OD .280)
30.2	17044FP	<-----OEM	1	HOSE CLAMP - 3/8" LONG FLARED ENDS (HOSE OD .280)
31.1	74964-01	N274964	1	HOSE - PICKER BAR LUBE (1000 FT)
31.2	74964-02	N274964	1	HOSE - PICKER BAR LUBE (100 FT MIN. RANDOM CUT)
32	70976	N370976	1	PRO BEARING - BAR JOURNAL (C-PIK) (9935-CP690)
33	07835P	19M7835	1	BOLT - M10 X 35 - SMOOTH HEX FLANGE - PRO BEARING RETAINER
34.1	76734-K	AN276734	1	** KIT ** 20 SPINDLE (PRO) PICKER BAR (NOT ASSEMBLED) - DOES NOT INCLUDE ARM # 98724-R ARM OR SHIMS #02889P - INCLUDES PARTS IN DRIVE SHAFT KIT #76737-K
34.2	74502-K	AN274502	1	** KIT ** 18 SPINDLE (PRO) PICKER BAR (NOT ASSEMBLED) - DOES NOT INCLUDE ARM # 98724-R ARM OR SHIMS #02889P - INCLUDES PARTS IN DRIVE SHAFT KIT #76743-K
35	79871	N279871	1	BUSHING - INSERT , BAR SEAL - PRO DRUM HEAD

John Deere Spindle Drive Shaft Assembly

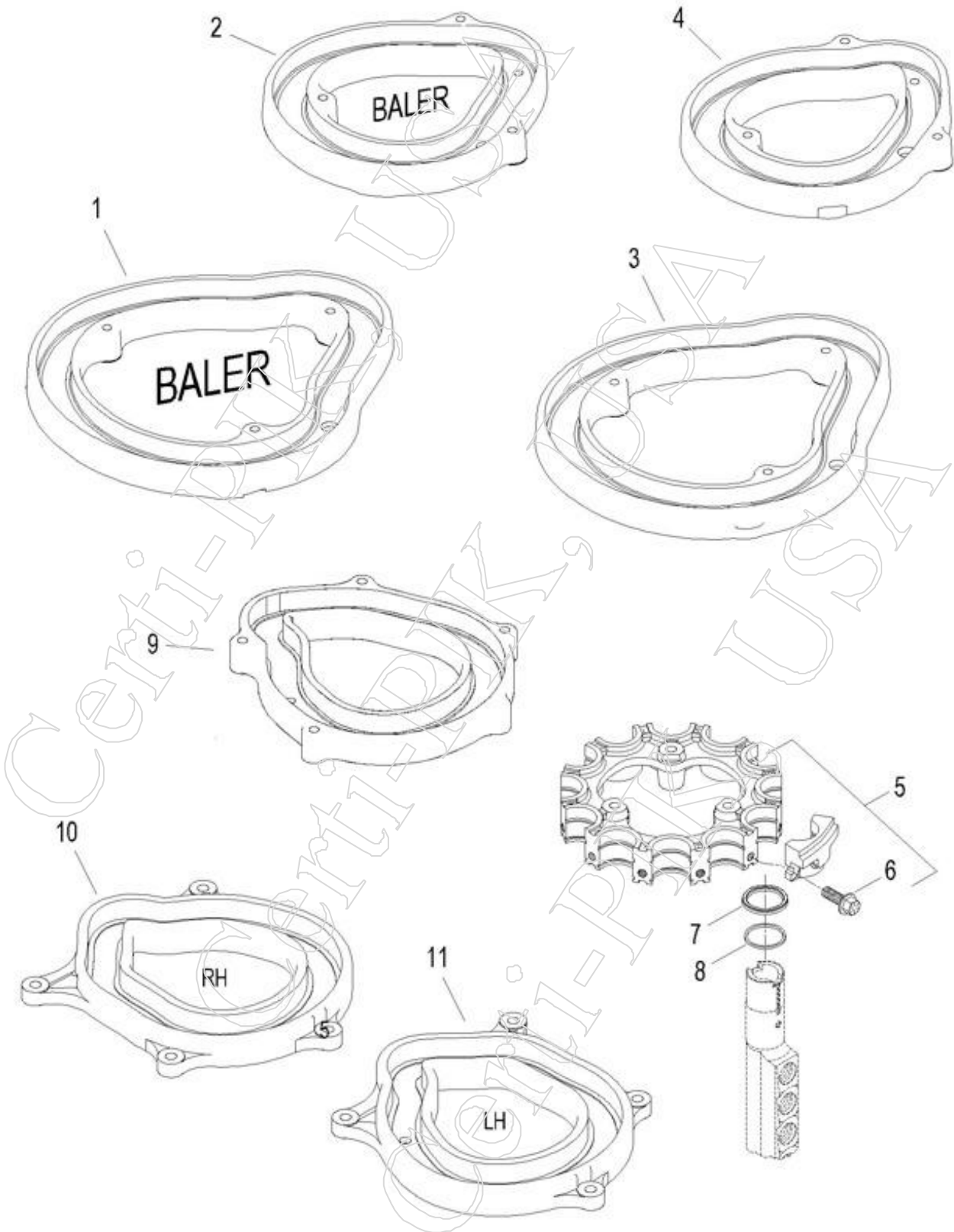


John Deere Spindle Drive Shaft Assembly

30-3

<u>Item</u>	<u>Part</u>	<u>OEMPart</u>	<u>Qty</u>	<u>Desc</u>
1	18289	N118289	1	DRIVE GEAR (9900-CP690)
2	23694P	T23694	1	SNAP RING (9900-CP690)
3.1	90988P	N190988	1	THRUST WASHER (ILL.)
3.2	78781	N278781	1	PRO THRUST WASHER - WILL FIT ALL MODELS USING #78782 SLEEVE
4.1	08804P	JD8804	4	BEARING - 23 NEEDLES
4.2	08804PFC	JD8804B	1	NEEDLE BEARING - FULL COMPLIMENT, USED ON BEARING SLEEVE #78782
5	00266P	34H266	2	SPRING PIN - 5/32 X 1" - YELLOW FINISH - USED ON TOP OF SPINDLE DRIVE SHAFT ONLY. IN HOLES IN TOP GEAR AND BEARING SLEEVE.
6	00235P	34H235	2	SPRING PIN - 3/32 X 1"
7	78782	N278782	1	BEARING SLEEVE - WILL FIT ALL MODELS USING #78781 THRUST-WASHER
8.1	02456P	L2456N	AR	SPINDLE GEAR - 1/8" PIN HOLE
8.2	71626P	N371626	AR	SPINDLE GEAR - 5/32" PIN HOLE
9.1	00045P	34H45	AR	SPRING PIN - 1/8 X 1"
9.2	00060P	34H60	AR	SPRING PIN - 5/32 X 1" - BLACK FINISH - USED ON SPINDLE DRIVE SHAFT.
10.1	14199	N114199	1	DRIVE SHAFT - 14 SPINDLE - 1/8" PIN HOLES IN GEARS
10.2	78037	N278037	1	DRIVE SHAFT - 18 SPINDLE - 1/8" PIN HOLES IN GEARS (9900-9976)
10.3	75212	N275212	1	DRIVE SHAFT - 20 SPINDLE - 1/8" PIN HOLES IN GEARS (9900-9976)
10.4	71720	N371720	1	DRIVE SHAFT - PRO 12 - 18 SPINDLE - 5/32" PIN HOLES IN GEAR (9970-CP690)
10.5	71572	N371572	1	DRIVE SHAFT - PRO 16 - 20 SPINDLE - 5/32" PIN HOLES IN GEAR (9976-CP690)
11.1	76737-K	AN276737	1	** KIT ** 20 SPINDLE (PRO) DRIVE SHAFT (NOT ASSEMBLED) - 5/32 GEAR & SHAFT HOLES
11.2	76743-K	AN276743	1	** KIT ** 18 SPINDLE (PRO) DRIVE SHAFT (NOT ASSEMBLED) - 5/32 GEAR & SHAFT HOLES

John Deere Cam Tracks and Drum Head

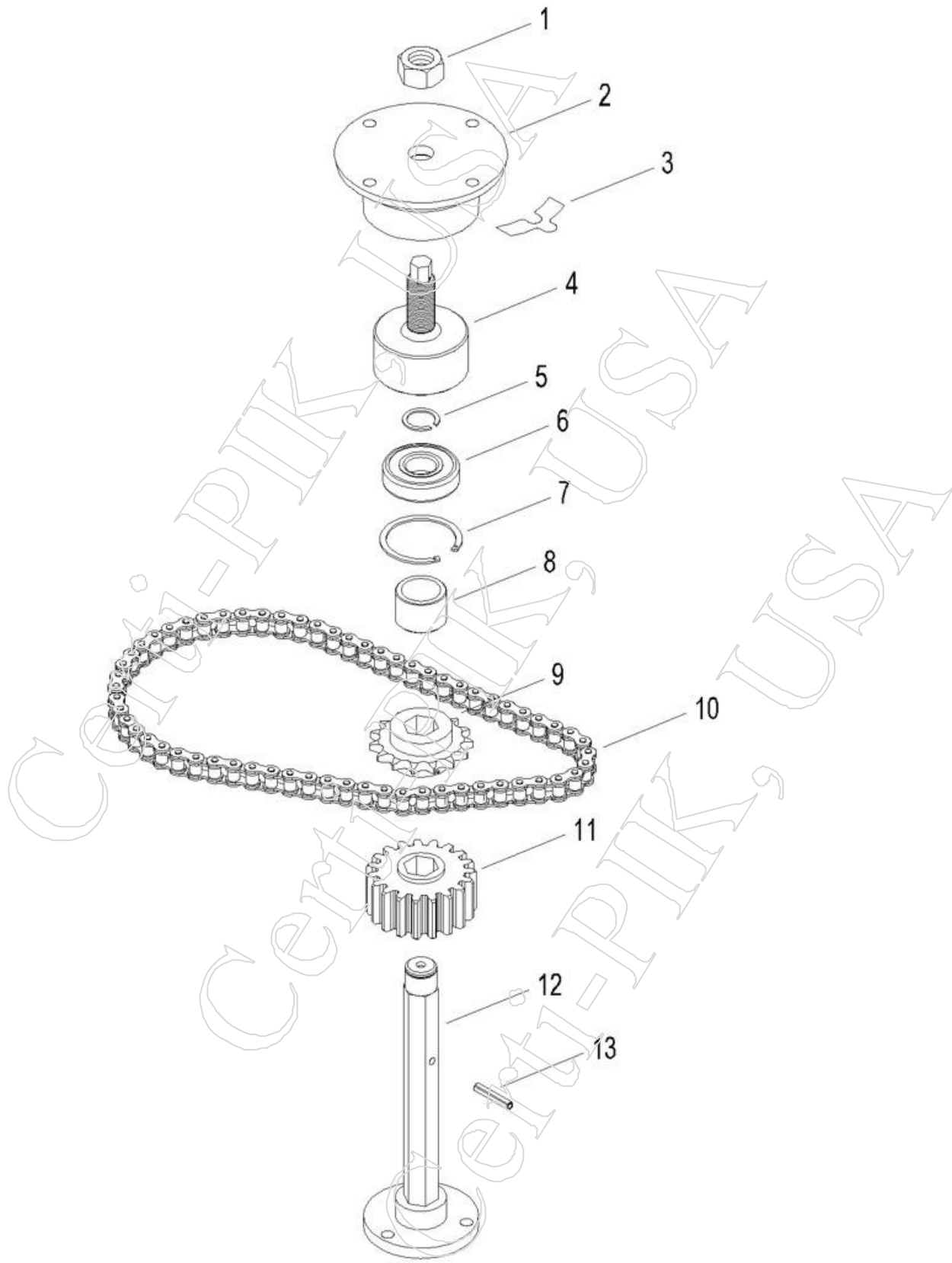


John Deere 9900-CP690 Cam Tracks and Drum Head

30-5

<u>Item</u>	<u>Part</u>	<u>OEMPart</u>	<u>Qty</u>	<u>Desc</u>
1	78790R	N378790	1	CAM TRACK - PRO-16 FRONT - BALER (7760-CP690)
2	78789R	N378789	1	CAM TRACK - PRO-12, & PRO-16 REAR - BALER (7760-CP690)
3	73016R	N273016	1	CAM TRACK - PRO-16 FRONT (9935-9996)
4	73012R	N273012	1	CAM TRACK - PRO-12, & PRO-16 REAR (9935-9996)
5.1	15235	AN115235	1	DRUM HEAD - 12-BAR, WITH LUBE HOLES IN CAPS (9900-9910)
5.2	72570	AN272570	1	DRUM HEAD - 12-BAR, 9900-9965 (SUBS AN191022 & AN115235)
6	03699P	19H3699	12	BOLT - 7/16" X 1-1/4" UNF GD8 - SMOOTH HEX FLANGE
7	19589P	N119589	1	SEAL - UPPER CUP (NOT USED ON PRO BARS)
8.1	19581P	N119581	1	SEAL - LOWER SQUARE (NOT USED ON PRO BARS)
8.2	19854P	T19854	1	O-RING SEAL - (9900-CP690) (2 USED ON PRO BARS)
9	97910R	N197910	1	CAM TRACK - 12-BAR IN-LINE UNITS (9935, 9960-9965)
10	90600R	N190600	1	CAM TRACK - R.H. 12-BAR (9900-9950 CONV.)
11	90601L	N190601	1	CAM TRACK - L.H. 12-BAR (9900-9950 CONV.)

John Deere Upper Doffer Adjustment Housing and Sprockets Assembly

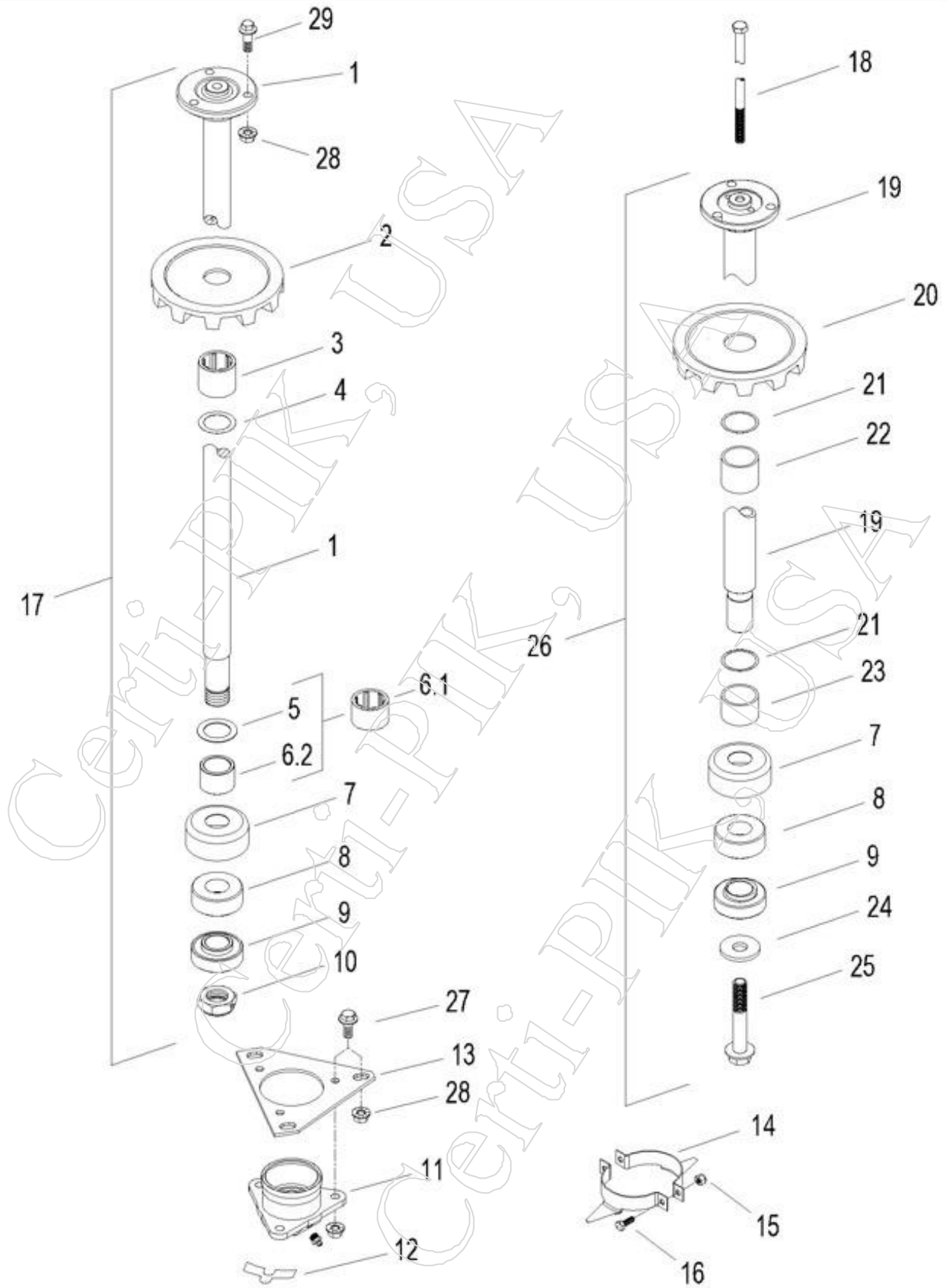


John Deere Upper Doffer Adjustment Housing and Sprockets Assembly

30-6

<u>Item</u>	<u>Part</u>	<u>OEMPart</u>	<u>Qty</u>	<u>Desc</u>
1.1	00852P	14H852	1	NUT - 7/8 - HEX (9900-9965)
1.2	77146P	N277146	1	PRO UPPER DOFFER ADJUSTMENT NUT - M24 (9970-7760)
2.1	14205	N114205	1	HOUSING - UPPER DOFFER ADJUSTMENT (9900-9965) (ILL.)
2.2	75853	N275853	1	PRO UPPER DOFFER ADJUSTMENT HOUSING (9970-7760)
3	34164P	N34164	AR	SHIM - HOUSING
4.1	95284	N195284	1	ADJUSTER (9900-9965) (ILL.)
4.2	75743	N375743	1	PRO DOFFER ADJUSTER (9970-7760)
5	43026P	P43026	1	SNAP RING (9900-7760)
6	09467P	JD9467	1	BEARING - UPPER DOFFER (9900-7760) / PRO LOWER IDLER
7	23156P	N123156	1	SNAP RING (9900-7760)
8.1	95726	N195726	1	SPACER - (9935-9965 IN-LINE ONLY)
8.2	77150	N277150	1	PRO UPPER DOFFER SPACER (9970-7760)
9	90918	N190918	1	SPROCKET - CHAIN SPROCKET (9910-9965 CONV. ONLY)
10.1	13170	AN113170	1	LINK CHAIN - DOFFER DRIVE, 62 LINKS, 12-BAR (9900-9965)
10.2	13171	AN113171	1	LINK CHAIN - DOFFER DRIVE, 75 LINKS, 16-BAR (9900-9910)
11.1	97456	N197456	1	GEAR - SPUR (9935-9965 IN-LINE ONLY) 19 TOOTH
11.2	73954	N273954	NA	PRO UPPER DOFFER SPUR GEAR - 20 TOOTH (9970-7760)
12.1	90169	AN190169	1	SHAFT - HEX DOFFER DRIVE (9900-9965) (ILL.)
12.2	73484	AN273484	1	PRO HEX DOFFER DRIVE (9970-7760)
13.1	00316P	34H316	1	PIN - 1/4 X 1-1/2 SPRING PIN (9900-9965)
13.2	00385P	34H385	1	PIN - 1/4 X 1-3/4 SPRING PIN (PRO)

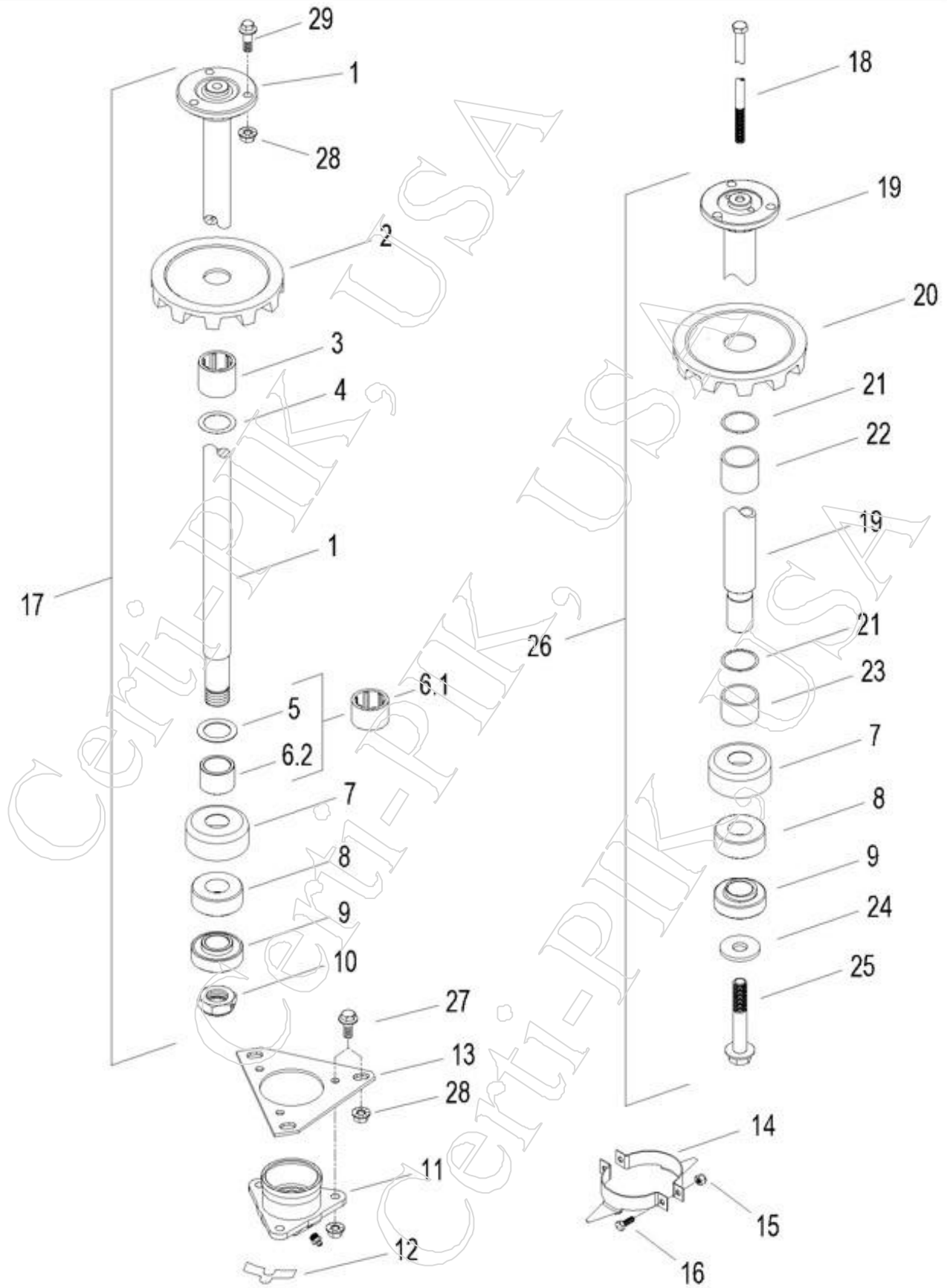
John Deere Dofer and Lower Housing Assembly



John Deere Doffer and Lower Housing Assembly

Item	Part	OEMPart	Qty	Desc
1.1	93262	AN193262	1	DOFFER SHAFT - 14 SPINDLE
1.2	93323	AN193323	1	DOFFER SHAFT - 18 SPINDLE
1.3	93263	AN193263	NA	USE #73701, OR #16193 - DOFFER SHAFT, 20 SPINDLE
1.4	74506	AN274506	1	DOFFER SHAFT - PRO-12 18 SPINDLE (9970-CP690 P12)
1.5	73701	AN273701	1	DOFFER SHAFT - PRO-16 20 SPINDLE (9976-CP690 P12)
2	72152PRM	AN272152	AR	DOFFER - PREMIUM URETHANE (9900-CP690 P12)
3	75381HD	<-----OEM	AR	DOFFER SPACER - LONG - SPLINED CENTER - HEAVY DUTY - (REPLACES N275381)
4.1	03197P	L3197N	AR	SHIM - DOFFER, .010" THICK - (9900-CP690 P12)
4.2	03197P-20	<-----OEM	AR	SHIM - DOFFER - .020" THICK
5	01633P	24H1633	1	WASHER - 1-17/64 X 1-7/8 X .048" (9930-9996), NOT 9960-9965 IN-LINE
6.1	80569	N380569	1	SHORT DOFFER SPACER - SPLINED (REPLACES 06133P & 98746)
6.2	98746	N198746	1	SPACER - SHORT SPACER (9900-9996 W/ #01633P) : (#01633P NOT USED ON 9960 & 9965 IN-LINE)
7.1	91302	N191302	1	DOFFER CAP - (9900-9965 CONV.& IN-ILNE)
7.2	75471	N275471	1	DOFFER CAP - PRO (9970-CP690)
8.1	90913	N190913	1	SPACER - LOWER DOFFER BEARING SPACER, (9910-9965 CONV.)
8.2	96834	N196834	1	SPACER - LOWER DOFFER BEARING SPACER, (9935-9965 IN-LINE)
8.3	10874	N410874	1	SPACER - LOWER DOFFER BEARING SPACER, (PRO 9935-CP690) - REPLACES # N275350, & N371318
9.1	10123P	JD10123	1	BALL BEARING - LOWER DOFFER (9900-9965)
9.2	75022P	AN275022	1	BEARING - LOWER DOFFER -PRO- (9935, 9970-CP690)
10.1	82619	H82619	1	NUT - 1-1/8 - NYLON LOCK (9900-9965)
10.2	75038P	N275038	1	PRO DOFFER NUT, M30 NYLON LOCK NUT (9935-CP690 P12)
11	73953	AN273953	1	LOWER DOFFER HOUSING (9900-CP690) INCLUDES 1x 1/8" LUBE FITTING #07759P
12	34164P	N34164	AR	SHIM - HOUSING
13.1	93795	N193795	1	PLATE - DOFFER BASE PLATE (9900-9965) (USE 3x #10124P & 3x #10215P) (ILL.)
13.2	76703	N276703	1	DOFFER BASE PLATE - PRO (9935, 9970-CP690)
14	72482	N272482	2	VINE CUTTER - 2 PER DOFFER SHAFT (9900-CP690) (SOLD IN PAIRS ONLY) INCLUDES ATTACHING HARDWARE: 2x 14820PV - 1/4 X 3/4" HEX BOLT & 2x 10217PV - 1/4" LOCK NUT
15	10217PV	N10217	2	NUT - 1/4 - NYLON LOCK (2 RQD.)
16	14820PV	N14820	2	BOLT - 1/4 X 3/4" HEX BOLT (2 RQD.)
17.1	72224-IL	AN272224	1	COMPLETE 18 SPINDLE URETHANE DOFFER ASSEMBLY - (MODELS 9935, 9960 & 9965 IN-LINE ONLY) - (INCLUDES ITEMS 1-10, NOT 5) *GROUND AND READY TO INSTALL *
17.2	72225	AN272225	NA	(REPAVED BY PART #73445, OR #17562) - COMPLETE 20 SPINDLE URETHANE DOFFER ASSEMBLY
17.3	74508	AN274508	1	COMPLETE 18 SPINDLE URETHANE DOFFER ASSEMBLY - (PRO 9970-CP690) - (INCLUDES ITEMS 1-10) * GROUND AND READY TO INSTALL *
17.4	73445	AN273445	1	COMPLETE 20 SPINDLE URETHANE DOFFER ASSEMBLY - (PRO 9976-7760) - (INCLUDES ITEMS 1-10) * GROUND AND READY TO INSTALL *
18	10545P	19M10545	1	BOLT - M10 X 280 HEX HEAD - CP690 PRO-16
19	16193	AKK16193	1	DOFFER SHAFT - CP690 PRO16 - (LARGE DIA HOLLOW SHAFT) 20S
20	06038PRM	AN406038	AR	DOFFER - PREMIUM URETHANE (CP690 P16) - LARGE HOLE
21	00789P	N400789	AR	DOFFER SHIM .010" - CP690 PRO-16 - LARGE HOLE
22	15280	KK15280	AR	DOFFER SPACER - LONG - CP690 PRO-16 - LARGE HOLE
23	15281	KK15281	1	DOFFER SPACER - SHORT - CP690 PRO-16 - LARGE HOLE
24	34803	N134803	1	WASHER - CP690 PRO-16

John Deere Dofer and Lower Housing Assembly

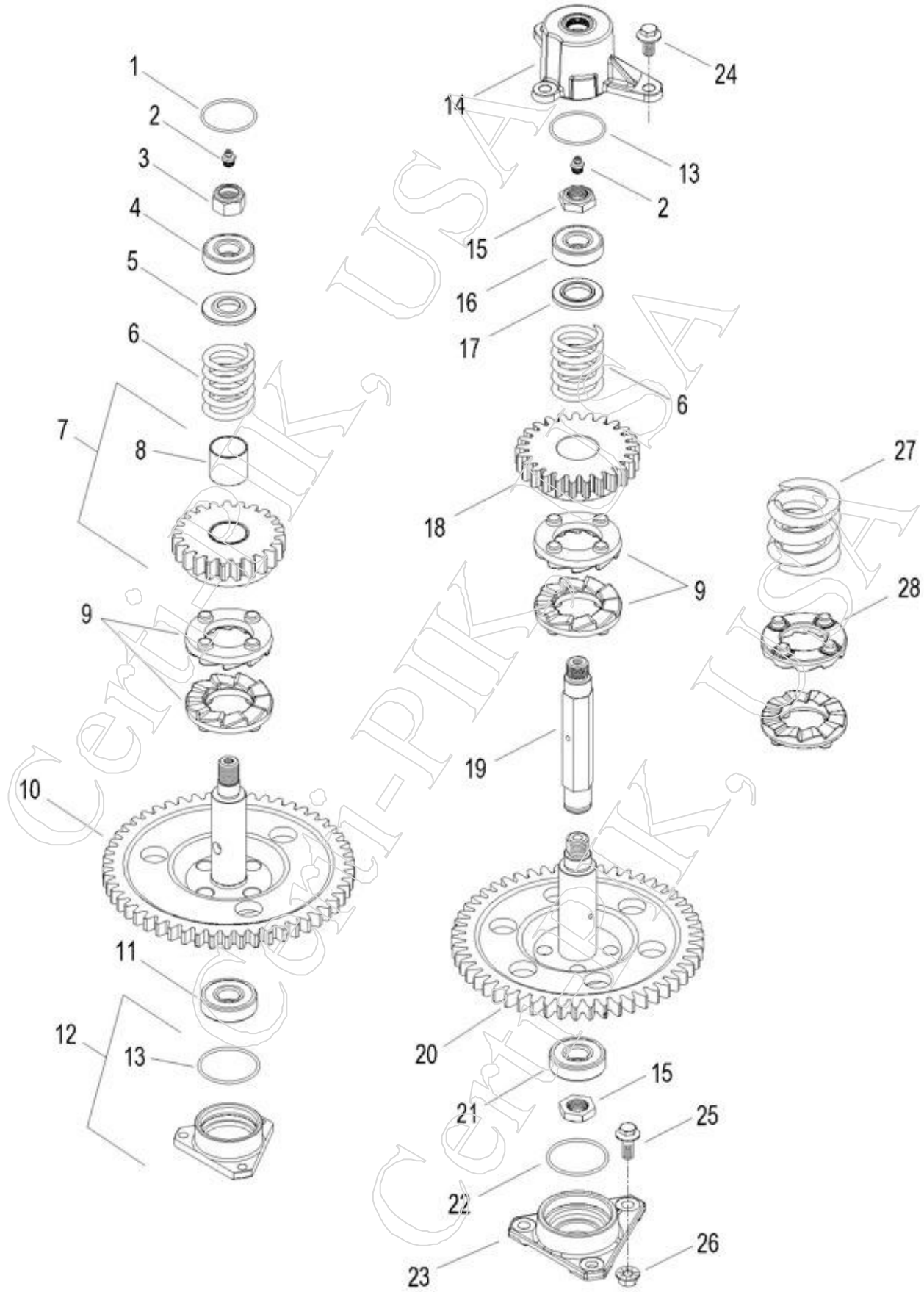


John Deere Doffer and Lower Housing Assembly

30-7

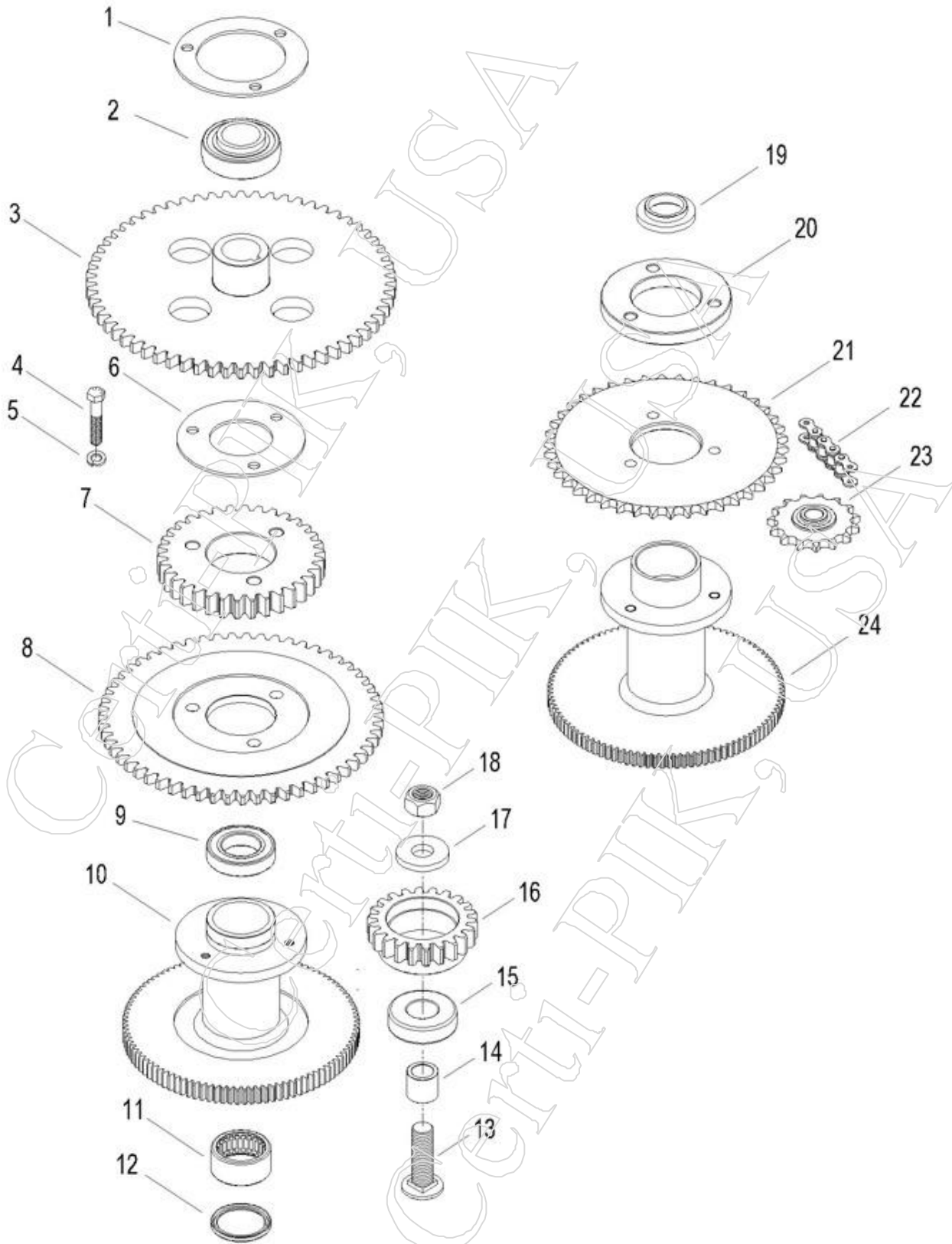
<u>Item</u>	<u>Part</u>	<u>OEMPart</u>	<u>Qty</u>	<u>Desc</u>
25	07828P	19M7828	1	BOLT - M16 X 100 - SMOOTH HEX FLANGE - CP690 PRO-16
26	17562	AKK17562	1	DOFFER ASSEMBLY - CP690 PRO-16 BALER - 20S (HIGH SPEED)
27	75625P	N275625P	6	BOLT - M10 X 25 - SERR HEX FLANGE
28	63526P	E63526	6	NUT - M10 - SERR HEX FLANGE
29	07786P	19M7786	3	BOLT - M10 X 30 - SMOOTH HEX FLANGE

John Deere Idler Gear Assy



<u>Item</u>	<u>Part</u>	<u>OEMPart</u>	<u>Qty</u>	<u>Desc</u>
1	03690P	B3690R	1	O-RING - (9965) UPPER IDLER BRG
2	07759P	JD7759	1	LUBE FITTING - 1/8"
3	01345	N101345	1	NUT - 3/4 UNF - NYLON LOCK (ALL MODELS 9900-9965) REPLACES H34753
4	07142P	JD7142	1	BALL BEARING - TOP IDLER GEAR (9900-9965)
5	10133	N110133	1	WASHER - IDLER GEAR SPRING WASHER (9900-9965)
6	31738	N131738	1	SPRING - (.244 WIRE) 5 COIL (9900-CP690)
7	93393	AN193393	1	SPUR GEAR - 23T, IDLER-GROUND DRIVE (9960)
8	01713P	L1713C	1	BUSHING - (9900-9965)
9.1	90954	N190954	1	SLIP CLUTCH - R.H.(SOLD IN PAIRS ONLY) (9900-CP690)
9.2	90955	N190955	1	SLIP CLUTCH - L.H. (SOLD IN PAIRS ONLY) (9910-9965 CONV.)
10.1	10124G	AN110124	1	GEAR - IDLER (9900-9950 CONV.)
10.2	72285	AN272285	1	GEAR - IDLER (9935, 9960-9965 IN-LINE)
11	09324P	JD9324	1	BALL BEARING - BOTTOM IDLER GEAR (9900-9965)
12.1	10137	N110137	1	HOUSING - LOWER IDLER GEAR (9900-9950 CONV.), MACHINED FROM STEEL
12.2	99063	N199063	1	STEEL HOUSING - LOWER IDLER GEAR (9960-9965 IN-LINE), MACHINED FROM STEEL, SUBS OEM ALUMINUM STYLE (INCLUDES 1x #13: #40708P) (ILL.)
13	40708P	U40708	1	O-RING - (LOWER HOUSING: 9960-65 IN-LINE, UPPER HOUSING: 9935-7760 PRO)
14	71737	N371737	1	STEEL HOUSING - UPPER IDLER (9935, 9970-CP690 PRO)
15	75033P	N275033	1	NUT - M20 - NYLON LOCK (9935, 9970-CP690 PRO)
16	09321P	JD9321	1	BALL BEARING - UPPER IDLER (9935, 9970-7760 PRO)
17	78401	N278401	1	WASHER - IDLER GEAR SPRING WASHER (9970-CP690 PRO)
18	73468	AN273468	NA	SPUR GEAR - 25T, IDLER-GROUND DRIVE (9970-CP690 PRO)
19	76291	N276291	1	DRIVE SHAFT - HEX - IDLER GEAR (9935, 9970-CP690 PRO)
20.1	74017	N274017	1	GEAR - IDLER - 12 BAR, (9935, 9970-CP690 PRO) - (REPLACES OEM PARTS:#N274017, #N276291, & #N274013) INCLUDES 1x #75033P BOTTOM NUT
20.2	74016	N274016	1	GEAR - IDLER - 16 BAR, (9976-CP690) - (REPLACES OEM PARTS:#N274016, #N276291, & #N274013) INCLUDES 1x #75033P BOTTOM NUT
21	09467P	JD9467	1	BEARING - UPPER DOFFER (9900-7760) / PRO LOWER IDLER
22	43518P	M43518	1	O-RING - LOWER IDLER (9935, 9970-CP690 PRO)
23	71736	N371736	1	STEEL HOUSING - LOWER IDLER (9935, 9970-CP690 PRO)
24	75620P	N275620	1	BOLT - M10 X 20 - SERR HEX FLANGE - GD 8
25	07785P	19M7785	1	BOLT - M10 X 25 - SMOOTH HEX FLANGE
26	63526P	E63526	1	NUT - M10 - SERR HEX FLANGE
27	96960	N196960	1	SPRING - COMPRESSION - (.50 WIRE) 4 COIL - LOWER GEAR CASE HUB
28	99180	N199180	1	JD - SLIP CLUTCH (SOLD IN PAIRS ONLY) LOWER GEAR CASE = ALL 9935, 9960 - CP690: CONV, IN-LINE & PRO UNITS, UNIT DRIVE = 9910 - 9950 , (2x 99180 = 1x AN274314)

John Deere Upper Drum Drive Assy



John Deere Drum Gear Assembly

30-9

<u>Item</u>	<u>Part</u>	<u>OEMPart</u>	<u>Qty</u>	<u>Desc</u>
1	96507	N196507	1	RING - BEARING (9935, 9960-9965 IN-LINE)
2	09209P	JD9209	1	BALL BEARING - UPPER DRUM COVER (IN-LINE & PRO MACHINES)
3	94104	AN194104	1	SPUR GEAR - 64T DRUM-GROUND DRIVE, (9930, 9960)
4	03065P	19H3065	3	BOLT - 3/8 X 2" HEX HEAD
5	00304P	12H304	3	WASHER - 3/8" LOCK
6	96594	N196594	1	WASHER
7	99039P	N199039	1	SPUR GEAR - 34T, DRUM-SPINDLE DRIVE (9930, 9960-9965)
8	97457P	N197457	1	SPUR GEAR - 59T, DRUM-DOFFER DRIVE, (9960)
9	09323P	JD9323	1	BALL BEARING - UPPER DRUM DRIVE GEAR (9930-35, 9965-CP690)
10	72096	AN272096	1	SUN GEAR - (9935, 9960-9965 IN-LINE) 12 BAR WITH 11/16" THICK CUPPED GEAR, INCLUDES 1x BEARING #09813P & 1x SEAL #01206P
11	08823P	JD8823	1	NEEDLE BEARING - SUN GEAR
12	01206P	L1206N	1	SEAL - SUN GEAR (9900-9965)
13	02339	03H2339	1	BOLT - 3/4" X 2-1/2" CARRIAGE BOLT
14	95727	N195727	1	SPACER - DOFFER DRIVE, (9935, 9960-9965 IN-LINE)
15	08674P	JD8674	1	BALL BEARING - DOFFER DRIVE (9935, 9960-9965 IN-LINE) - (CALL FOR AVAILABILITY)
16	97052P	N197052	1	SPUR GEAR - 22T, DOFFER DRIVE
17	01402P	24H1402	1	WASHER - DOFFER DRIVE (9935, 9960-9965 IN-LINE)
18	40016P	K40016	1	NUT - 3/4" - TOP LOCK - DOFFER DRIVE (9935, 9960-9965 IN-LINE)
19	15573	N115573	1	BUSHING - (9900-9950 CONV.)
20	14173	N114173	1	SPACER - (9900-9950 CONV.)
21	14175	N114175	1	SPROCKET - 42T, DRUM, CHAIN DOFFER-DRIVE, (9900-9950 CONV.)
22.1	13170	AN113170	1	LINK CHAIN - DOFFER DRIVE, 62 LINKS, 12-BAR (9900-9965)
22.2	13171	AN113171	1	LINK CHAIN - DOFFER DRIVE, 75 LINKS, 16-BAR (9900-9910)
23	15321P	AN115321	1	SPROCKET - DOFFER DRIVE CHAIN TIGHTENER, CONV. UNITS (9900-9950 CONV.)
24.1	13616	AN113616	1	SUN GEAR - (9900-9910) 16 BAR WITH 9/16" THICK GEAR, 1/8"LUBE HOLE & FITTING 00558P, INCLUDES 2x BEARING #09813P & 1x SEAL #01206P
24.2	74460	AN274460	1	SUN GEAR - (9900-9950) 12 BAR WITH 9/16" THICK GEAR, 1/8"LUBE HOLE & FITTING 00558P, INCLUDES 2x BEARING #09813P & 1x SEAL #01206P