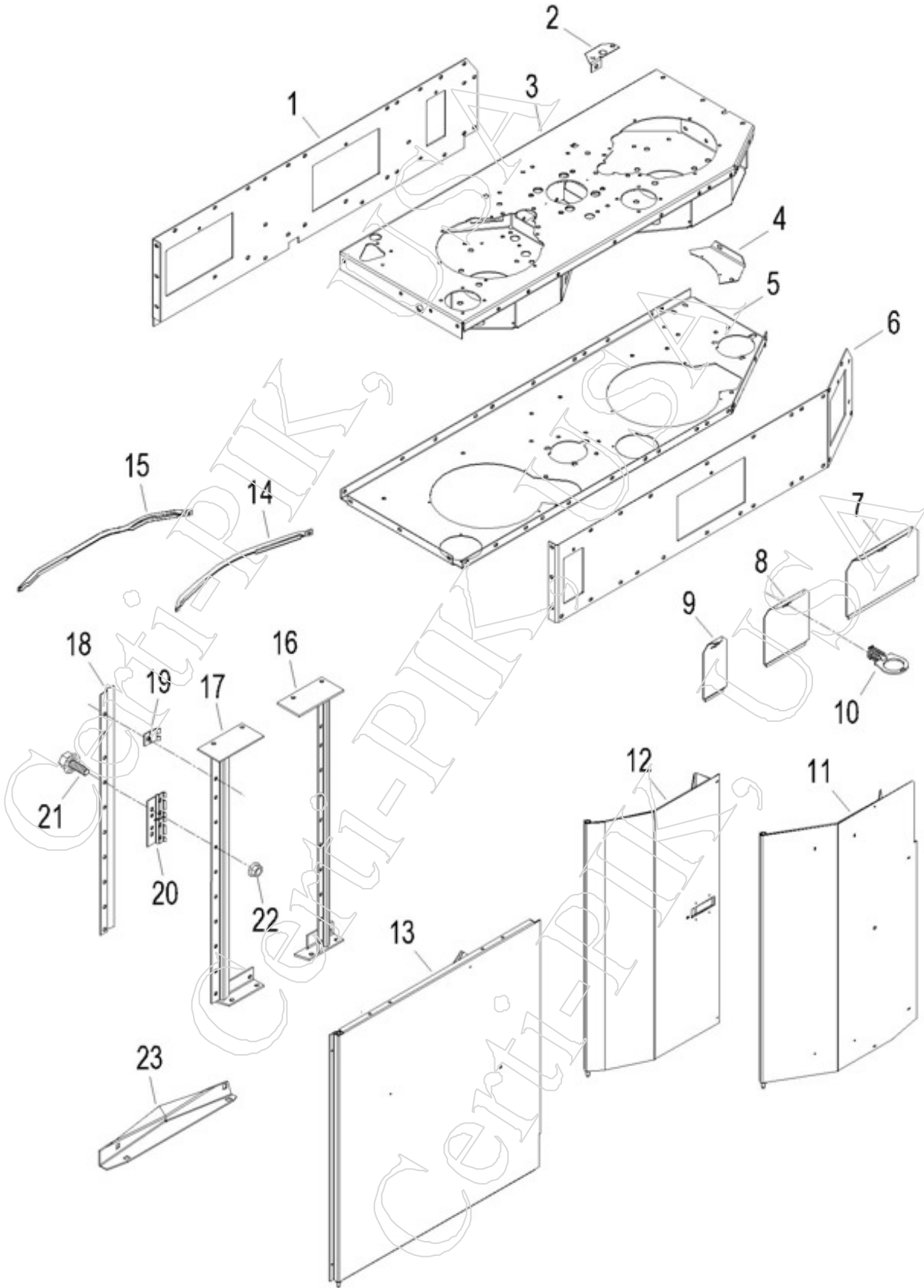


John Deere 9935, 9960 - 9965 In-Line Cabinet Parts



<u>Item</u>	<u>Part</u>	<u>OEMPart</u>	<u>Qty</u>	<u>Desc</u>
1	72076	N272076	1	PANEL - TOP PANEL (L.H.) (9935, 9960-9965 IN-LINE)
2	99910	N199910	1	ANGLE - PRESSURE DOOR ANGLE (9935, 9960-9965 IN-LINE)
3	72025	AN272025	1	CABINET TOP (9935, 9960-9965 IN-LINE)
4	73022	N273022	1	FRONT COVER - CABINET (9935, 9960, 9965 IN-LINE)
5	72600	AN272600	1	SHEET - IN-LINE CABINET TOP (9965)
6	96217	N196217	1	PANEL - CABINET TOP (R.H.) (9935, 9960-9965 IN-LINE)
7	97073	N197073	1	CABINET TOP INSPECTION COVER (9935, 9960-9965 IN-LINE)
8	97072	N197072	1	CABINET TOP INSPECTION COVER (9935, 9960-9965 IN-LINE)
9	97071	N197071	1	CABINET TOP INSPECTION COVER (9935, 9960-9965 IN-LINE)
10	72520P	AN272520	1	LOCK - DUAL LOCK FASTENER (ALL IN-LINE & PRO)
11	94682	AN194682	1	INSPECTION DOOR - FRONT (IN-LINE 9935, 9960, 9965)
12	94684	AN194684	1	INSPECTION DOOR - INNER - REAR (IN-LINE 9935, 9960, 9965)
13	72683	AN272683	1	INSPECTION PANEL - REAR (IN-LINE 9935, 9960, 9965)
14	16513P	N116513	17	GRID BAR - FRONT (9900-9965)
15	97039P	N197039	17	GRID BAR - REAR, IN-LINE
16	93818	AN193818	1	POST - IN-LINE FRONT GRID BAR (9960-9965)
17	93134	AN193134	1	POST - IN-LINE REAR GRID BAR (9935-9965)
18	96166	N196166	1	COVER - GRID BAR POST (9960-9965)
19	19277	N119277	1	CLAMP - FRONT SINGLE, GRID BAR (9920-9965)
20	93404	N193404	4	CLAMP - FRONT, GRID BAR (9930-9935, 9950-9965)
21	10214P	N10214	AR	SCREW - 3/8 X 1" SERR HEX FLANGE
22	10215P	N10215	AR	NUT - 3/8 - SERR HEX FLANGE
23	97044	N190744	1	FRAME - BOTTOM STIFFENER (9960-9965)