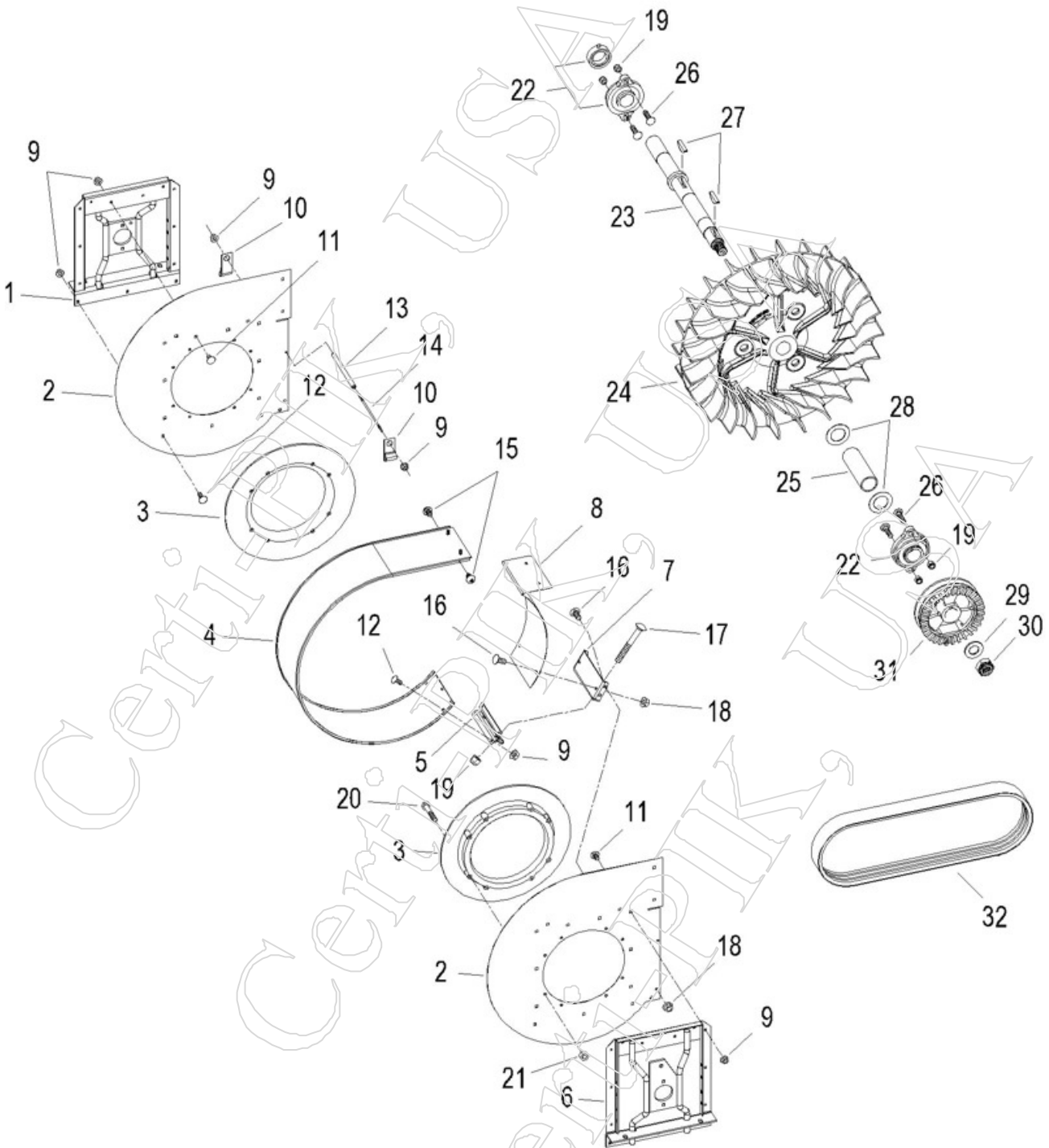
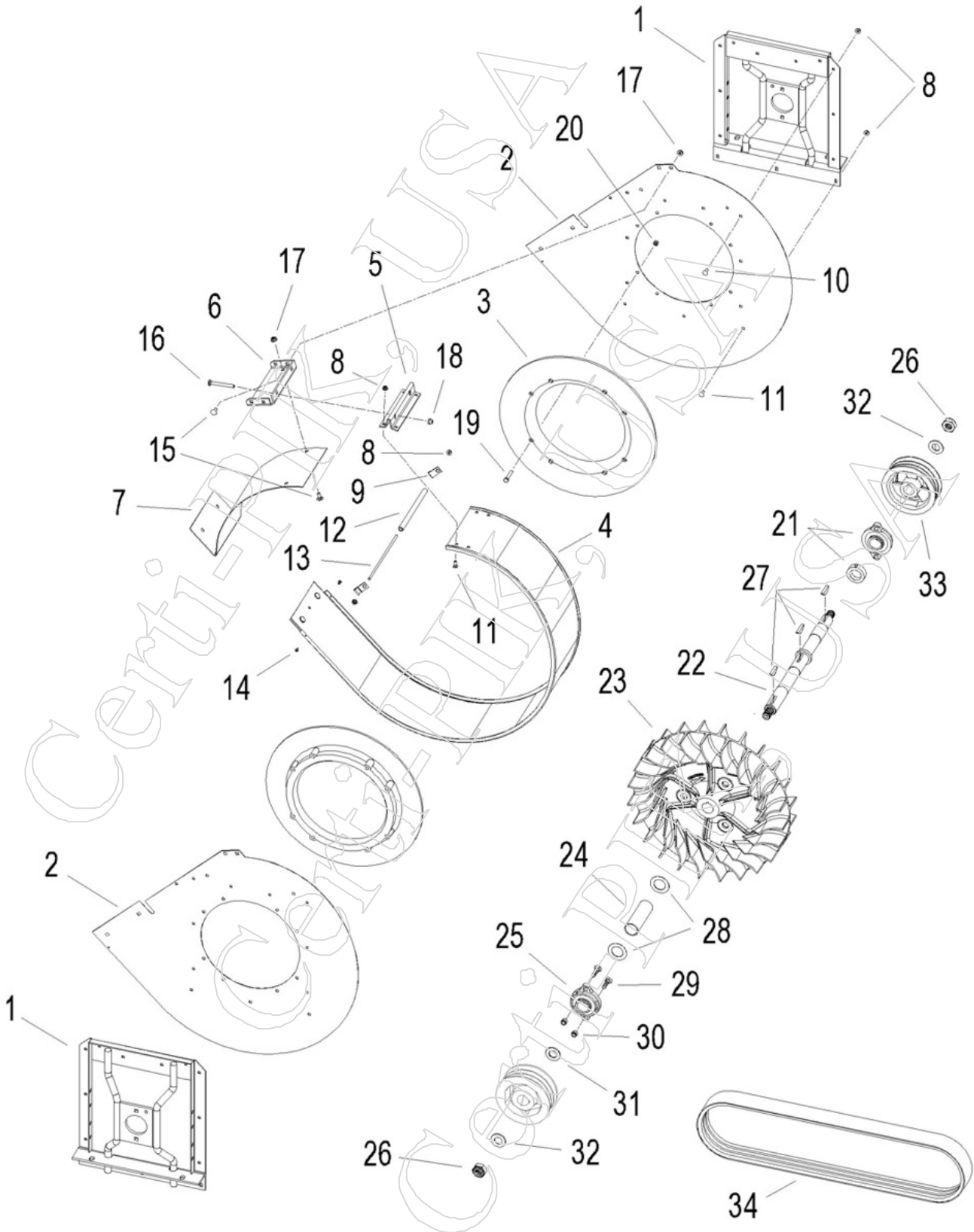


Case / IH Front Fan Assembly, 1822-2555 (S.N.499)



Item	Part	OEMPart	Qty	Desc
KIT.1	45030C1	1345030C1	1	FRONT FAN KIT - ALL PARTS UNASSEMBLED, INCLUDES # 08200 BOLT KIT, INCLUDES ITEMS #1-#31)
KIT.2	45030C1A	1345030C1	1	FRONT FAN KIT - ALL PARTS ASSEMBLED
KIT.3	08200	<----OEM	1	BOLT KIT - COMPLETE FOR FRONT CASE/IH FAN KIT, 1822-2555
1	60120C3	1260120C3	1	SIDE SUPPORT - BEARING (1/FRONT FAN, 2/REAR FAN)
2	60067C2	1260067C2	2	FAN SIDE PANEL - NEW STYLE - LARGER TRANSITION NOTCH
3	07515C1	207515C1	2	BAFFLE - PLASTIC BAFFLE OR ORIFICE
4	21533C1	221533C1	1	WRAP AROUND - HOUSING COVER
5	04414C1	204414C1	1	BRACKET - HOUSING COVER TENSION BRACKET
6	38329C1	1338329C1	1	SIDE SUPPORT - IH FRONT FAN - DRIVE SIDE (1/FRONT FAN)
7	04415C1	204415C1	1	BRACKET - UNDER SHROUD TENSION BRACKET
8	04416C1	204416C1	1	UNDER SHROUD - HOUSING COVER
9	10217P	N10217	32	NUT - 1/4 - SERR HEX FLANGE
10	62120R1P	362120R1	2	CLASP - CABLE CLIP
11	0043448P	434-48	20	BOLT - 1/4 X 1/2" CARRIAGE
12	0434412P	434-412	10	BOLT - 1/4 X 3/4" CARRIAGE
13	15020C1	215020C1	1	PIPE - HOUSING SPACER
14	15709C1	215709C1	1	STUD
15	2601346P	260-1346	2	SCREW - 8-18 X 3/8" SELF-TAP
16	01540P	434-512	6	BOLT - 5/16 X 3/4" CARRIAGE
17	01565P	433-648	2	BOLT - 3/8 X 3" CARRIAGE
18	10213P	425-105	6	NUT - 5/16 - SERR HEX FLANGE
19	11234P	425-106	6	NUT - 3/8 - NYLON LOCK
20	0413528P	413-528	16	BOLT - 5/16 X 1-3/4" HEX HEAD
21	1311215P	131-1215	16	NUT - 5/16 - CENTER LOCK
22	60257C1P	1260257C1	2	FRONT BEARING - INCLUDES HOUSING AND LOCKING COLLAR (2/FRONT FAN, 1/ REAR FAN)
23	60070C3	1260070C3	1	SHAFT - FRONT FAN
24	60010C1	1260010C1	1	FAN BLADE
25	60073C1	1260073C1	1	SHAFT SPACER
26	01480P	434-624	4	BOLT - 3/8 X 1-1/2" CARRIAGE
27	0118001P	118001	2	KEY - 5/16 X 2-1/8WOODRUFF
28	9581214P	495-81214	2	WASHER - 1-13/32 X 2-1/4 X 1/16
29	9611094P	496-11094	1	WASHER - 1.75 X .937 X .13 HDN
30	43386R1P	543386R1	1	NUT - 7/8 - NYLON LOCK
31	38322C1	1338322C1	1	PULLEY - FAN (1844-635)
32.1	B60258C2	1260258C2	NA	BELT - FAN ROTOR, MIDDLE - 1822, 1844, 2022, 2044 - (2 Band) Length 46-13/16
32.2	B38328C1	1338328C1	1	BELT - FAN ROTOR, FRONT - 1844 (S/N JJC002462 & above), 2044, 2055, 2155, 2555, CPX420, CPX420 Tier III, CPX610, CPX620, 625, 635-REAR - (3 Band)

Case / IH Rear Fan Assembly, 1822-2555 (S.N.499)

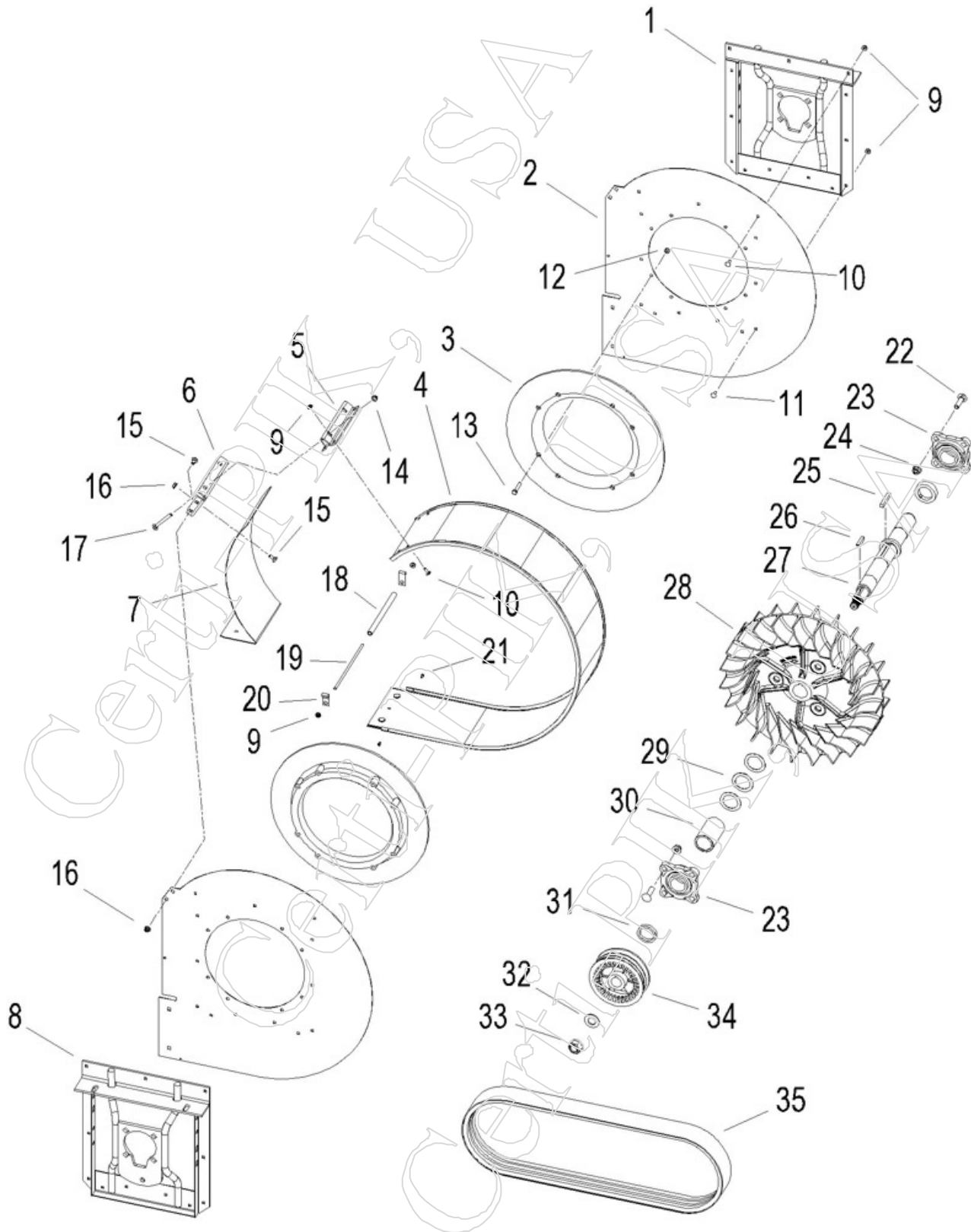


Case /IH Rear Fan Assembly, 1822-2555 (S.N.499)

90-2

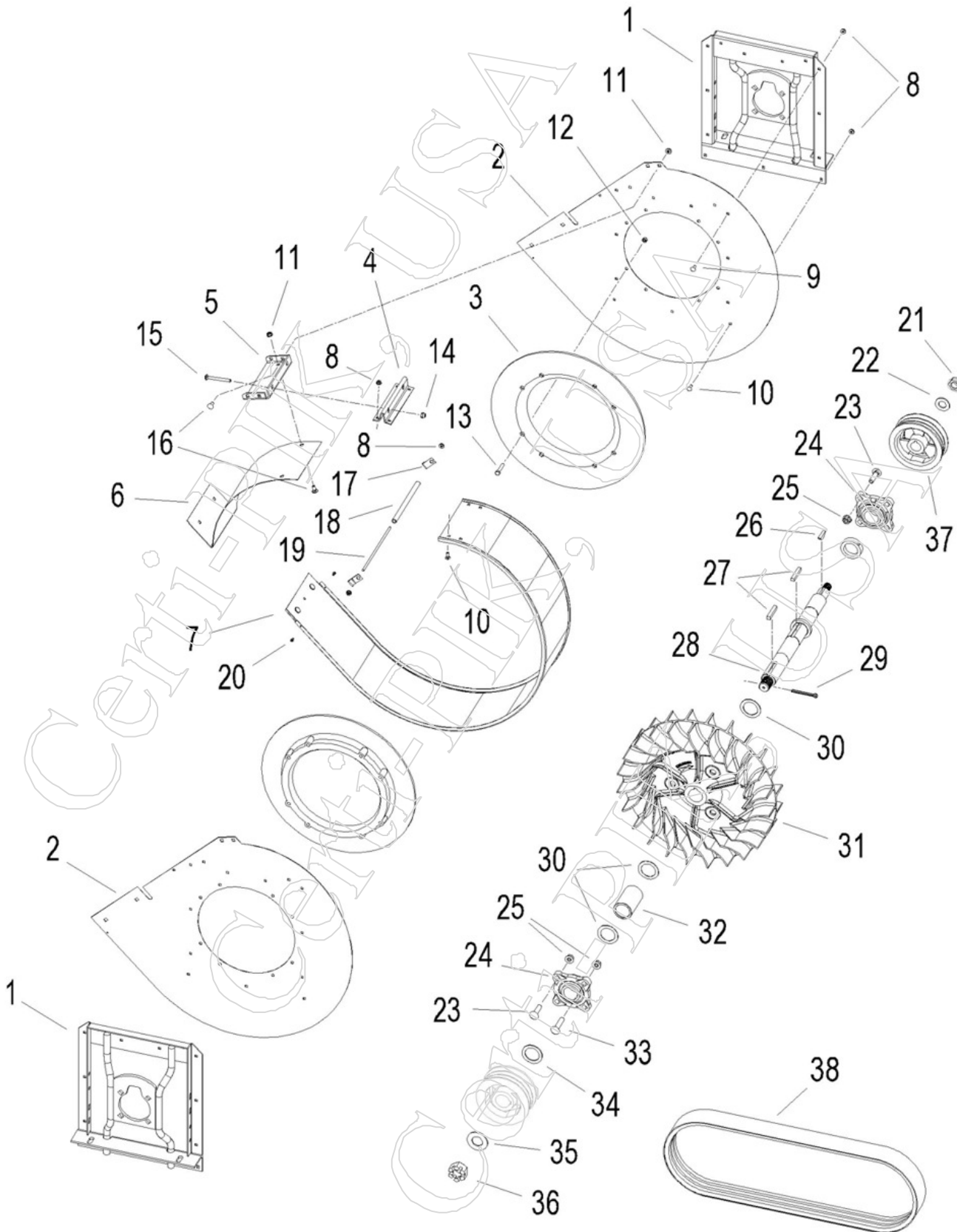
Item	Part	OEMPart	Qty	Desc
KIT.1	45031C1	1345031C1	1	REAR FAN KIT - ALL PARTS UNASSEMBLED, INCLUDES # 08400 BOLT KIT, INCLUDES ITEMS #1-#33)
KIT.2	45031C1A	1345031C1	1	REAR FAN KIT - ALL PARTS ASSEMBLED
KIT.3	08400	<-----OEM	1	BOLT KIT - COMPLETE FOR REAR CASE/IH FAN KIT, 1822-2555
1	60120C3	1260120C3	1	SIDE SUPPORT - BEARING (1/FRONT FAN, 2/REAR FAN)
2	60066C2	1260066C2	2	FAN 45DEGREE SIDE PANEL - NEW STYLE - LARGER TRANSITION NOTCH
3	07515C1	207515C1	2	BAFFLE - PLASTIC BAFFLE OR ORIFICE
4	21533C1	221533C1	1	WRAP AROUND - HOUSING COVER
5	04414C1	204414C1	1	BRACKET - HOUSING COVER TENSION BRACKET
6	04415C1	204415C1	1	BRACKET - UNDER SHROUD TENSION BRACKET
7	04416C1	204416C1	1	UNDER SHROUD - HOUSING COVER
8	10217P	<-----OEM	32	NUT - 1/4 - SERR HEX FLANGE
9	62120R1P	362120R1	2	CLASP - CABLE CLIP
10	0043448P	434-48	20	BOLT - 1/4 X 1/2" CARRIAGE
11	0434412P	434-412	10	BOLT - 1/4 X 3/4" CARRIAGE
12	15020C1	215020C1	1	PIPE - HOUSING SPACER
13	15709C1	215709C1	1	STUD
14	2601346P	260-1346	2	SCREW - 8-18 X 3/8" SELF-TAP
15	01540P	434-512	6	BOLT - 5/16 X 3/4" CARRIAGE
16	01565P	433-648	2	BOLT - 3/8 X 3" CARRIAGE
17	10213P	425-105	6	NUT - 5/16 - SERR HEX FLANGE
18	11234P	425-106	2/6	NUT - 3/8 - NYLON LOCK
19	0413528P	413-528	16	BOLT - 5/16 X 1-3/4" HEX HEAD
20	1311215P	131-1215	16	NUT - 5/16 - CENTER LOCK
21	3058C91P	1263058C91	1	REAR BEARING, INCLUDES HOUSING AND LOCKING COLLAR
22	60072C3	1260072C3	1	SHAFT - REAR FAN
23	60010C1	1260010C1	1	FAN BLADE
24	60073C1	1260073C1	1	SHAFT SPACER
25	60257C1P	1260257C1	1	FRONT BEARING - INCLUDES HOUSING AND LOCKING COLLAR (2/FRONT FAN, 1/ REAR FAN)
26	43386R1P	543386R1	2	NUT - 7/8 - NYLON LOCK
27	0118001P	118001	3	KEY - 5/16 X 2-1/8WOODRUFF
28	9581214P	495-81214	2	WASHER - 1-13/32 X 2-1/4 X 1/16
29	01480P	434-624	4	BOLT - 3/8 X 1-1/2" CARRIAGE
30	11234P	21622R1	4/6	NUT - 3/8 - NYLON LOCK
31	00530P	96-11144	1	WASHER - 1.390 X 2.125 X .135"
32	9611094P	496-11094	2	WASHER - 1.75 X .937 X .13 HDN
33	38322C1	1338322C1	1	PULLEY - FAN (1844-635)
34.1	B88899C5	1288899C5	1	BELT - FAN ROTOR - 1822, 1844, 2022, 2044 - (2 Band) Length 73-55/64
34.2	B46117C1	1546117C1	NA	BELT - FAN ROTOR - 2055, 2155 - (2 Band) - 63.8"
34.3	B46117C2	1546117C2	1	BELT - FAN ROTOR - (3 Band) - 76.5" (2055, 2155, 2555, CPX420, CPX420 Tier III, CPX610, CPX620) (Prior to S/N Y6T011701)

Case / IH Front Fan Assembly, 2555 (S.N. 500) - 635



Item	Part	OEMPart	Qty	Desc
KIT.1	49982A1	449982A1	1	FRONT FAN KIT - ALL PARTS UNASSEMBLED, & # 09030 BOLT KIT (INCLUDES ITEMS #1-#34), MODELS 2555-635
KIT.2	49982A1A	449982A1	1	FRONT FAN KIT - ALL PARTS ASSEMBLED, (INCLUDES ITEMS #1-#34), MODELS 2555-635
KIT.3	09030	<-----OEM	1	BOLT KIT - COMPLETE FOR CNH FRONT FAN KIT, 2555-635 (1.75 SHAFT)
1	43038A2	243038A2	1	SIDE SUPPORT 4-BOLT REAR - 1.75 DIA SHAFT - 1 ON FRONT FAN - 2 ON REAR FAN
2	60067C2	1260067C2	2	FAN SIDE PANEL - NEW STYLE - LARGER TRANSITION NOTCH
3	07515C1	207515C1	2	BAFFLE - PLASTIC BAFFLE OR ORIFICE
4	21533C1	221533C1	1	WRAP AROUND - HOUSING COVER
5	04414C1	204414C1	1	BRACKET - HOUSING COVER TENSION BRACKET
6	04415C1	204415C1	1	BRACKET - UNDER SHROUD TENSION BRACKET
7	04416C1	204416C1	1	UNDER SHROUD - HOUSING COVER
8	7403361	87403361	1	CNH SIDE SUPPORT 4-BOLT FRONT - 1.75 DIA SHAFT - 1 ON FRONT FAN - NOT ON REAR FAN
9	10217P	N10217	32	NUT - 1/4 - SERR HEX FLANGE
10	0434412P	434-412	10	BOLT - 1/4 X 3/4" CARRIAGE
11	0043448P	434-48	20	BOLT - 1/4 X 1/2" CARRIAGE
12	1311215P	131-1215	16	NUT - 5/16 - CENTER LOCK
13	0413528P	413-528	16	BOLT - 5/16 X 1-3/4" HEX HEAD
14	11234P	425-106	2	NUT - 3/8 - NYLON LOCK
15	01540P	434-512	6	BOLT - 5/16 X 3/4" CARRIAGE
16	10213P	425-105	6	NUT - 5/16 - SERR HEX FLANGE
17	01565P	433-648	2	BOLT - 3/8 X 3" CARRIAGE
18	15020C1	215020C1	1	PIPE - HOUSING SPACER
19	15709C1	215709C1	1	STUD
20	62120R1P	362120R1	2	CLASP - CABLE CLIP
21	2601346P	260-1346	2	SCREW - 8-18 X 3/8" SELF-TAP
22	0433832P	433-832	8	BOLT - 1/2-13 X 1-3/4" CARRIAGE
23	42834A2	242834A2	2	1-3/4" BEARING ASSEMBLY
24	62934P	E62934	8	NUT - 1/2 - SERR HEX FLANGE
25	57206R1P	657206R1	1	3/8 SQUARE KEY - 2-3/8 " LONG
26	0118001P	126-147	1	KEY - 5/16 X 2-1/8 WOODRUFF
27	49301A2	449301A2	1	FRONT FAN SHAFT - CNH 1.75" DIA
28	43041A1	243041A1	1	FAN BLADE - 1.75" ID - NEW STYLE
29	9581092P	495-81092	3	WASHER - 2.50 X 1.78 X .06
30	43037A1	243037A1	1	SPACER - 1.75 ID CNH FAN SHAFT
31	49746A1	449746A1	1	SPACER - .38 THICK, 1.75 FAN SHAFT
32	9611094P	496-11094	1	WASHER - 1.75 X .937 X .13 HDN
33.1	0281010P	281010	1	7/8-14 GC - TOP LOCK NUT (USED IN BOLT KIT & FAN ASSY)
33.2	3246314P	232-46314	1	7/8-14 GC - FLANGED - TOP LOCK NUT
34	38322C1	1338322C1	1	PULLEY - FAN (1844-635)
35	B38328C1	1338328C1	1	BELT - FAN ROTOR, FRONT - 1844 (S/N JJC002462 & above), 2044, 2055, 2155, 2555, CPX420, CPX420 Tier III, CPX610, CPX620, 625, 635-REAR - (3 Band)

Case / IH Rear Fan Assembly, 2555 (S.N.500) - 635



Item	Part	OEMPart	Qty	Desc
KIT.1	50631A1	450631A1	1	REAR FAN KIT - ALL PARTS UNASSEMBLED, (INCLUDES ITEMS #1-#37) & #09040 BOLT KIT, MODELS 2555-635 - (DRIVE PULLEY #38 NOT IN KIT - NA)
KIT.2	50631A1A	450631A1	1	REAR FAN KIT - ALL PARTS ASSEMBLED, (INCLUDES ITEMS #1-#37), MODELS 2555-635 - (DRIVE PULLEY #38 NOT IN KIT - NA)
KIT.3	09040	<-----OEM	1	BOLT KIT - COMPLETE FOR CNH REAR FAN KIT, 2555-635 (1.75 SHAFT)
1	43038A2	243038A2	1	SIDE SUPPORT 4-BOLT REAR - 1.75 DIA SHAFT - 1 ON FRONT FAN - 2 ON REAR FAN
2	60066C2	1260066C2	2	FAN 45DEGREE SIDE PANEL - NEW STYLE - LARGER TRANSITION NOTCH
3	07515C1	207515C1	2	BAFFLE - PLASTIC BAFFLE OR ORIFICE
4	04414C1	204414C1	1	BRACKET - HOUSING COVER TENSION BRACKET
5	04415C1	204415C1	1	BRACKET - UNDER SHROUD TENSION BRACKET
6	04416C1	204416C1	1	UNDER SHROUD - HOUSING COVER
7	21533C1	221533C1	1	WRAP AROUND - HOUSING COVER
8	10217P	N10217	32	NUT - 1/4 - SERR HEX FLANGE
9	0043448P	434-48	20	BOLT - 1/4 X 1/2" CARRIAGE
10	0434412P	434-412	10	BOLT - 1/4 X 3/4" CARRIAGE
11	10213P	425-105	6	NUT - 5/16 - SERR HEX FLANGE
12	1311215P	131-1215	16	NUT - 5/16 - CENTER LOCK
13	0413528P	413-528	16	BOLT - 5/16 X 1-3/4" HEX HEAD
14	11234P	425-106	2	NUT - 3/8 - NYLON LOCK
15	01565P	433-648	2	BOLT - 3/8 X 3" CARRIAGE
16	01540P	434-512	6	BOLT - 5/16 X 3/4" CARRIAGE
17	62120R1P	362120R1	2	CLASP - CABLE CLIP
18	15020C1	215020C1	1	PIPE - HOUSING SPACER
19	15709C1	215709C1	1	STUD
20	2601346P	260-1346	2	SCREW - 8-18 X 3/8" SELF-TAP
21.1	0281010P	281010	1	7/8-14 GC - TOP LOCK NUT (USED IN BOLT KIT & FAN ASSY)
21.2	3246314P	232-46314	1	7/8-14 GC - FLANGED - TOP LOCK NUT
22	9611094P	496-11094	1	WASHER - 1.75 X .937 X .13 HDN
23	0433832P	433-832	7	BOLT - 1/2-13 X 1-3/4" CARRIAGE
24	42834A2	242834A2	2	1-3/4" BEARING ASSEMBLY
25	62934P	E62934	8	NUT - 1/2 - SERR HEX FLANGE
26	0118001P	126-147	1	KEY - 5/16 X 2-1/8 WOODRUFF
27	57206R1P	657206R1	2	3/8 SQUARE KEY - 2-3/8 " LONG
28	05117A2	405117A2	1	REAR FAN SHAFT - CNH 1.75" DIA
29	00250P	432-1636	1	COTTER PIN - 1/4 X 2-1/2"
30	9581092P	495-81092	3	WASHER - 2.50 X 1.78 X .06
31	43041A1	243041A1	1	FAN BLADE - 1.75" ID - NEW STYLE
32	43037A1	243037A1	1	SPACER - 1.75 ID CNH FAN SHAFT
33	0433840P	433-840	1	BOLT - 1/2-13 X 2-1/2" CARRIAGE
34	9581093P	495-81093	1	WASHER - 2.50 X 1.78 X .12
35	9611131P	396-11131	1	WASHER - 2.50 X 1.31 X .13 HDN
36	00927P	25-1320	1	NUT - 1-1/4-12 CASTLE
37	38322C1	1338322C1	1	PULLEY - FAN (1844-635)
38	B46117C2	1546117C2	1	BELT - FAN ROTOR - (3 Band) - 76.5" (2055, 2155, 2555, CPX420, CPX420 Tier III, CPX610, CPX620) (Prior to S/N Y6T011701)