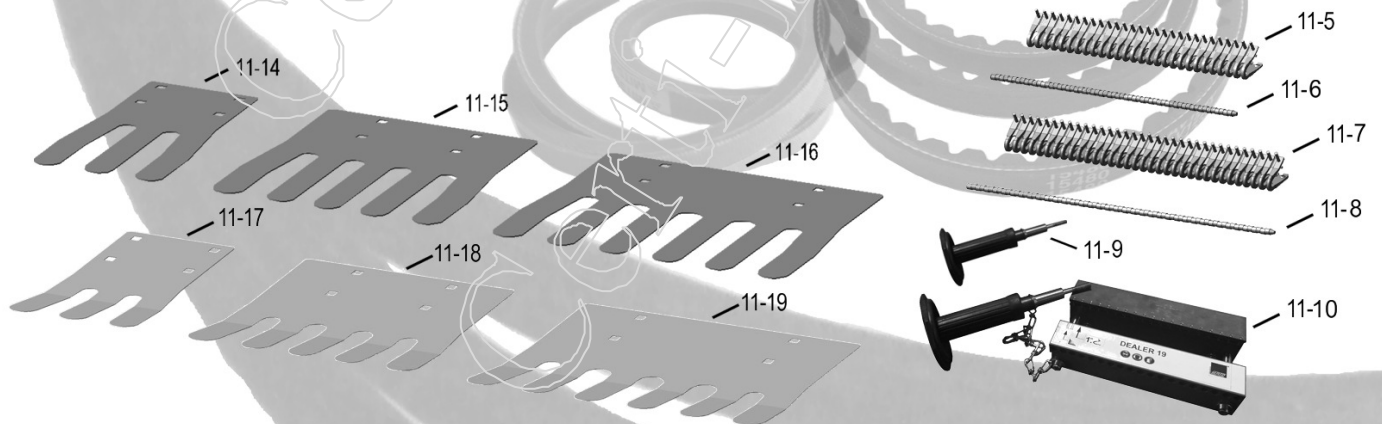


John Deere Replacement Belts - 9900 Thru CP690

Section

- 1 Fan / Alternator : Items 1-6**
- 2 A/C Compressor : Items 1-5**
- 3 Engine Fan : Items 1-6**
- 4 Serpentine : Items 1-8**
- 5 Fan Rotor : Items 1-6**
- 6 Hydraulic Pump : Items 1-5**
- 7 Lube Pump : Items 1-3**
- 8 Rotary Screen Drive : Items 1-9**
- 9 Unit Drive : Items 1-11**
- 10 Moistener Column Water Pump : Items 1-6**
- 11 Round Module Builder: Items 1-19**



John Deere Replacement Belts - 9900 Thru CP690

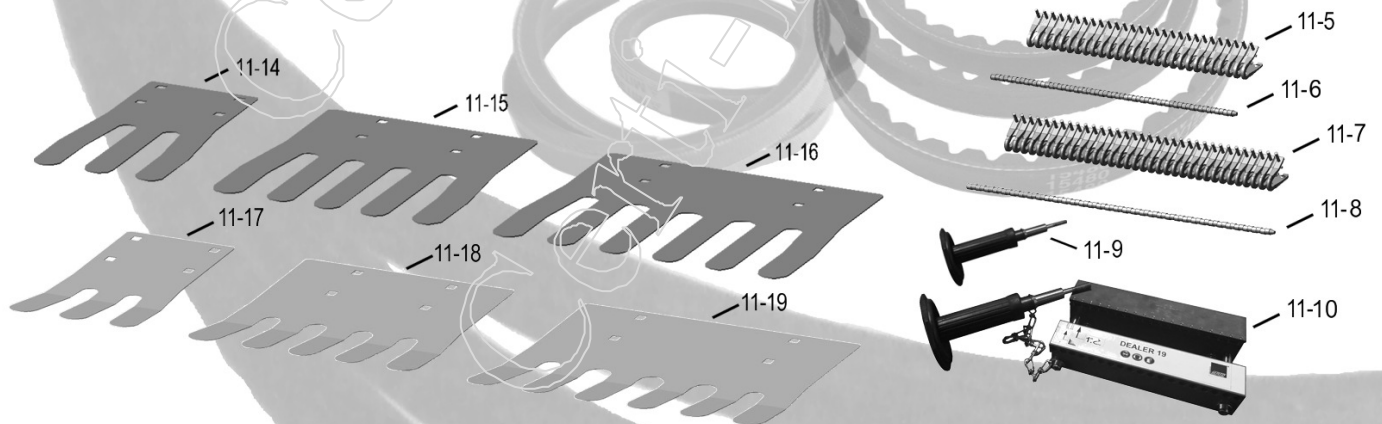
JDB

| Item | Part | OEMPart | Qty | Desc |
|------|--------|----------|-----|--|
| 1-1 | B23317 | AT23317 | 1 | FAN/ALT./EWP - 9900 - 2 V-Belts - L57.250 IN - W.380 IN - T.312 IN |
| 1-2 | B73251 | AN273251 | 1 | FAN/ALT./EWP - 9910, 9920, 9930 - 2 V-Belts - L59.24 IN - W.380 IN - T.312 IN |
| 1-3 | B86496 | AR86496 | 1 | FAN/ALT./EWP - 9940 - 2 V-Belts - L67. IN - W.551 IN - T.328 IN |
| 1-4 | B29018 | RE29018 | 1 | FAN/ALT. - 9950, 9960 (S/N 101-111) - 2 V-Belts - L66. IN - W.50 IN - T.406 IN |
| 1-5 | B41942 | RE41942 | 1 | FAN/ALT. - 9960 (S/N 112 & above), 9965, 9970 - 2 V-Belts - L65.472 IN - W.50 IN - T.406 IN |
| 1-6 | B71135 | M71135 | 1 | ALT./ A/C COMP. - 9976 - V-Belt - Eff.L74.016 IN - W.50 IN - T.310 IN. |
| 2-1 | B13642 | N113642 | 1 | A/C COMP. - 9900 - L44.25 IN - W.50 IN - T.406 IN |
| 2-2 | B17674 | N117674 | 1 | A/C COMP. - 9920, 9930 - L46.0 IN - W.50 IN - T.406 IN |
| 2-3 | B71602 | R71602 | 1 | A/C COMP. - 9940 - V-Belt - L42.354 IN - W.547 IN - T.311 IN |
| 2-4 | B73189 | R73189 | 1 | A/C COMP. - 9950, 9960, 9965 (Prior to S/N 2001) - V-Belt - L43.15 IN - W.50 IN - T.331 IN |
| 2-5 | B16307 | R116307 | 1 | A/C COMP. - 9965 (S/N 2001 & above), 9970 - Freon Comp. - L39.488 IN - W.50 IN - T.331 IN. |
| 3-1 | B74215 | AN274215 | 1 | ENG. FAN - 9976 - 2 V-Belts - Eff.L53.04 IN - W.66 IN - T.41 IN. |
| 3-2 | B71322 | N371322 | 1 | ENG. FAN - 9986 - Poly-V (8 RIB) - Eff.L52.559 IN - W1.121 IN - T.236 IN |
| 3-3 | B76016 | N376016 | 1 | ENG. FAN - 9996 (Prior to S/N 22001) - Poly-V (8 RIB) - Eff.L48.031 IN - W1.097 IN - T.236 IN |
| 3-4 | B79166 | N379166 | 1 | ENG. FAN - 9996 (S/N 22001 & above) - Poly-V (8 RIB) - Eff.L47.441 IN - W1.097 IN - T.236 IN. |
| 3-5 | B00399 | R300399 | 1 | BELT - ENG. FAN - 7760, CP690 - V-Belt - Eff.L 1426.4mm - W38.1mm |
| 3-6 | B02313 | N402313 | 1 | BELT - ENG. FAN - 7760, CP690 T2 & T3- V-Belt - Eff.L1311mm - W42.68mm |
| 4-1 | B23465 | R123465 | 1 | SERPENTINE : ENG. FAN / ALT. / A/C COMP. - 9935 - Poly-V (8 RIB) - Eff.L91.339 IN - W1.121 IN - T.236 IN |
| 4-2 | B29083 | R129083 | 1 | SERPENTINE : ALT. / A/C COMP. - 9986 - Poly-V (8 RIB) - Eff.L76.772 IN - W1.097 IN - T.236 IN |
| 4-3 | B02016 | R502016 | 1 | SERPENTINE : ALT. / A/C COMP. - 9996 (S/N 18000-19999) - Poly-V (8 RIB) - Eff.L83.465 IN - W1.121 IN -T0.236 IN |
| 4-4 | B97520 | T197520 | 1 | SERPENTINE : ALT. / A/C COMP. - 9996 (S/N 20000 & above) - Poly-V (8 RIB) - Eff.L84.055 IN - W1.097 IN -T.236 IN |
| 4-5 | B08891 | T208891 | 1 | SERPENTINE : ENG. FAN / ALT. - 7760 - Poly-V (8 Rib) - Eff. L86.024 IN - W1.097 IN - T.236 IN - THRU S/N 039000 |
| 4-6 | B81387 | N381387 | 1 | SERPENTINE : ENG. FAN / A/C COMP. - 7760 - Poly-V (12 RIB) - Eff.L67.52 IN - W1.68 IN - T.236 IN - THRU S/N 039000 |
| 4-7 | B36677 | R536677 | 1 | BELT - SERPENTINE : ENG.FAN. - 7760,CP690 - Eff.L 1563mm |
| 4-8 | B57688 | R157688 | 1 | BELT - SERPENTINE : ALT. / COMP. - CP690 - Eff.L 1921mm - W28.48mm |
| 5-1 | B24460 | N124460 | 1 | FAN ROTOR - 9900 - HAPB Drive (2 Band) - Eff.L75.5 IN - W.50 IN - T.31 IN |
| 5-2 | B29368 | N129368 | 1 | FAN ROTOR - 9910, 9920, 9930 - (2 Band) Belt-Fan Drive - Eff.L76.50 IN - W.66 IN - T.41 IN |
| 5-3 | B20907 | N220907 | 1 | FAN ROTOR - 9935 - Belt-Fan Drive (2 Band) - Eff.L78.750 IN - W.66 IN - T.41 IN (FAN ASSY #74106) |
| 5-4 | B93822 | N193822 | 1 | FAN ROTOR - 9940, 9950, 9960, 9965 - Belt (4 Band) - Eff.L94.50 IN - W.66 IN - T.41 IN |
| 5-5 | B74995 | N274995 | 1 | FAN ROTOR - 9976, 9986, 9996 - (3 Band), 109" - Eff.L110.18 IN - W.66 IN - T.41 IN. |
| 5-6 | B08803 | N408803 | 1 | BELT - FAN ROTOR - CP690 |
| 6-1 | B15368 | N115368 | 1 | HYDR. PUMP - (Rubber Eng. Mountings)R - 9900 - V-Belt - Eff.L47.50 IN - W.66 IN - T.41 IN |
| 6-2 | B17398 | N117398 | 1 | HYDR. PUMP - (Solid Eng. Mountings)R - 9900, 9910 - V-Belt - Eff.L48.80 IN - W.66 IN - T.41 IN |

John Deere Replacement Belts - 9900 Thru CP690

Section

- 1 Fan / Alternator : Items 1-6**
- 2 A/C Compressor : Items 1-5**
- 3 Engine Fan : Items 1-6**
- 4 Serpentine : Items 1-8**
- 5 Fan Rotor : Items 1-6**
- 6 Hydraulic Pump : Items 1-5**
- 7 Lube Pump : Items 1-3**
- 8 Rotary Screen Drive : Items 1-9**
- 9 Unit Drive : Items 1-11**
- 10 Moistener Column Water Pump : Items 1-6**
- 11 Round Module Builder: Items 1-19**



John Deere Replacement Belts - 9900 Thru CP690

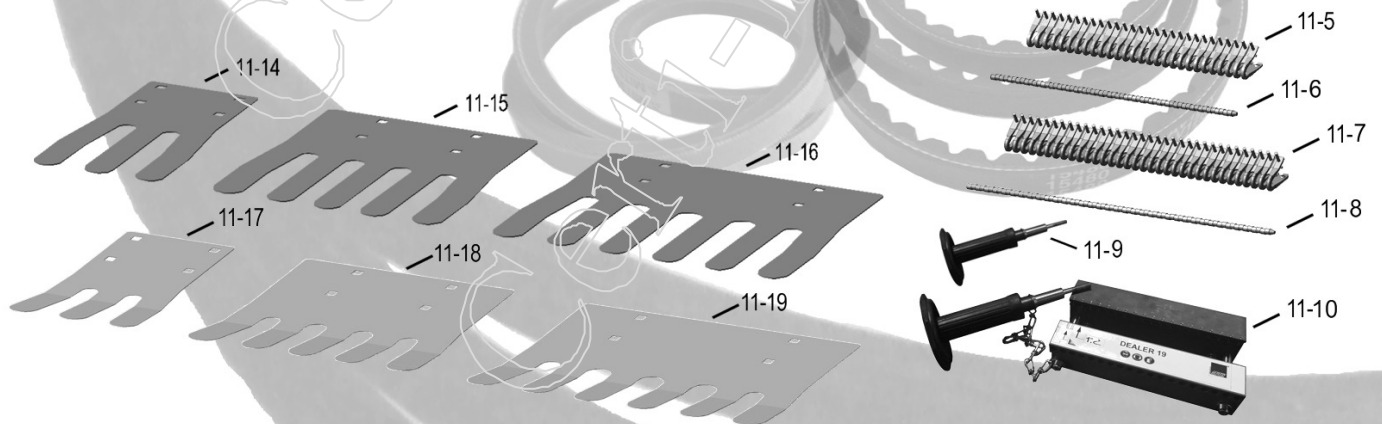
JDB

| Item | Part | OEMPart | Qty | Desc |
|------|--------|----------|-----|--|
| 6-3 | B61326 | E61326 | 1 | HYDR. PUMP - 9920, 9930 - V-Belt, Pickup Drive - Eff.L52.88 IN - W.66 IN - T.41 IN |
| 6-4 | B90043 | N190043 | 1 | HYDRO. CHARGE PUMP - 9940, 9950 - V-Belt - L44.50 IN - W.38 IN - T.312 IN |
| 6-5 | B77058 | N277058 | 1 | HYDR. PUMP - 9976, 9996 - Belt Hyd. Pump Drive (3 Band) - Eff.L52.30 IN - W.66 IN - T.41 IN. |
| 7-1 | B41592 | M41592 | 1 | LUBE PUMP - PICKING UNIT - 9930 - V-Belt, Drive - Eff.L40.10 IN - W.50 IN - T.31 IN |
| 7-2 | B42485 | M42485 | 1 | LUBE PUMP - PICKING UNIT - 9950 - V-Belt, Thrower Drive - Eff.L45.60 IN - W.50 IN - T.31 IN |
| 7-3 | B82720 | M82720 | 1 | LUBE PUMP - PICKING UNIT - 9960, 9965, 9970 - V-Belt - Eff.L45.16 IN - W.50 IN - T.31 IN. |
| 8-1 | B45158 | H145158 | 1 | ROTARY SCREEN DRIVE - 9976 - Round Belt, - Eff.L150.787 IN - Diameter .437 IN |
| 8-2 | B40757 | M40757 | 1 | ROTARY SCREEN DRIVE - 9976 - V-Belt - Eff.L77.30 IN - W.50 IN - T.31 IN |
| 8-3 | B69007 | H169007 | 1 | ROTARY SCREEN DRIVE - 9986 (Prior to S/N 14001) - Round Belt, - Eff.L150.787 IN - Diameter .437 IN (SUB # H145158) |
| 8-4 | B75632 | H175632 | 1 | ROTARY SCREEN DRIVE - 9986 (S/N 14001 & above) - V-Belt - Eff.L150.787 IN - W.50 IN - T.31 IN |
| 8-5 | B72967 | N372967 | 1 | ROTARY SCREEN DRIVE - 9986, 9996 - V-Belt - Eff.L76.20 IN - W.50 IN - T.31 IN. |
| 8-6 | B74493 | N374493 | 1 | ROTARY SCREEN DRIVE - 9996 - V-Belt - Eff.L171.654 IN - W.49 IN - T.307 IN |
| 8-7 | B78575 | N378575 | 1 | ROTARY SCREEN DRIVE - XL - 7760 - V-Belt - Eff.L199.134 IN - W.516 IN - T.307 IN - THRU S/N 039000 |
| 8-8 | B21273 | H221273 | 1 | BELT - ROTARY SCREEN DRIVE - 7760, CP690 - V-Belt |
| 8-9 | B07470 | N7407470 | 1 | BELT - ROTARY SCREEN DRIVE - CP690 - V-Belt - Eff.L1276.6mm - W12.45mm |
| 9-1 | B74673 | AN274673 | 1 | UNIT DRIVE COUNTERSHAFT (LH) - 9970 - 2 V-Belts - Eff.L99.56 IN - W.88 IN - T.53 IN |
| 9-2 | B21116 | N121116 | 1 | UNIT DRIVE (RH) - 9900, 9910, 9920, 9930 - V-Belt - Belt-Auger Drive LH - Eff.L85.50 IN - W.88 IN - T.53 IN |
| 9-3 | B90948 | AN190948 | 1 | UNIT DRIVE - 9940, 9950 - 2 V-Belts - Eff.L81.0 IN - W.880 IN - T.53 IN |
| 9-4 | B94750 | AN194750 | 1 | UNIT DRIVE (RH Conv.) - 9960 (Prior to S/N 4001) - 2 V-Belts - Eff.L95.50 IN - W.66 IN - T.41 IN |
| 9-5 | B96333 | AH96333 | 1 | UNIT DRIVE (LH Conv.) - 9960 (Prior to S/N 4001) - 2 V-Belts - Eff.L100.0 IN - W.66 IN - T.41 IN |
| 9-6 | B94751 | AN194751 | 1 | UNIT DRIVE (RH IL.) - 9960 (Prior to S/N 4001) - 3 V-Belts - Eff.L95.50 IN - W.66 IN - T.41 IN |
| 9-7 | B94916 | AN194916 | 1 | UNIT DRIVE (RH Conv.), (RH IL.) - 9960 (S/N 4001 & above), (RH) - 9965 - 2 V-Belts - Eff.L96.50 IN - W.88 IN - T.53 IN |
| 9-8 | B94917 | AN194917 | 1 | UNIT DRIVE (LH Conv.) - 9960 (S/N 4001 & above), (LH) - 9965 - 2 V-Belts - Eff.L100.75 IN - W.88 IN - T.53 IN |
| 9-9 | B74672 | AN274672 | 1 | UNIT DRIVE COUNTERSHAFT (RH) - 9970 - 2 V-Belts - Eff.L95.29 IN - W.88 IN - T.53 IN |
| 9-10 | B11527 | N111527 | 1 | UNIT DRIVE (LH) - 9900, 9910, 9920, 9930 - V-Belt - Eff.L72.75 IN - W.88 IN - T.53 IN |
| 9-11 | B73299 | AN273299 | 1 | UNIT DRIVE COUNTERSHAFT - 9976 - 2 V-Belts - Eff.L75.40 IN - W.88 IN - T.53 IN. |
| 10-1 | B1900T | M1900T | 1 | MOISTENER COLUMN WATER PUMP - 9910, 9920, 9930 - V-Belt, Fan - L36.0 IN - W.38 IN - T.312 IN |
| 10-2 | B0626T | T626T | 1 | MOISTENER COLUMN WATER PUMP - 9935, 9976 (Prior to S/N 9046) - V-Belt, Fan - L48.0 IN - W.38 IN - T.312 IN |
| 10-3 | B31649 | N31649 | 1 | MOISTENER COLUMN WATER PUMP - 9940, 9950 - V-Belt PS Pump Drive - L37.60 IN - W.38 IN - T.312 IN |
| 10-4 | B10552 | T10552 | 1 | MOISTENER COLUMN WATER PUMP - 9960, 9965 - V-Belt, Pump Drive - L31.25 IN - W.38 IN - T.312 IN |

John Deere Replacement Belts - 9900 Thru CP690

Section

- 1 Fan / Alternator : Items 1-6**
- 2 A/C Compressor : Items 1-5**
- 3 Engine Fan : Items 1-6**
- 4 Serpentine : Items 1-8**
- 5 Fan Rotor : Items 1-6**
- 6 Hydraulic Pump : Items 1-5**
- 7 Lube Pump : Items 1-3**
- 8 Rotary Screen Drive : Items 1-9**
- 9 Unit Drive : Items 1-11**
- 10 Moistener Column Water Pump : Items 1-6**
- 11 Round Module Builder: Items 1-19**



John Deere Replacement Belts - 9900 Thru CP690

JDB

| <u>Item</u> | <u>Part</u> | <u>OEMPart</u> | <u>Qty</u> | <u>Desc</u> |
|-------------|-------------|----------------|------------|--|
| 10-5 | B71585 | N371585 | 1 | MOISTENER COLUMN WATER PUMP - 9976 (S/N 9046 & above), 9996 - V-Belt - L29.625 IN - W.38 IN - T.312 IN |
| 10-6 | B78316 | N378316 | 1 | BELT - WATER PUMP - 7760, CP690 - V-Belt |
| 11-1 | B73217 | AN373217 | 1 | FLAT BELT - BALER ROLLER BELT - 3 PLY - TEXTURED SURFACE - 7" X 711.88" (INCLUDES LACING PRE INSTALLED AND PIN NEEDED FOR INSTALLATION) |
| 11-1 | B73217-S | AN373217 | 1 | FLAT BELT - BALER ROLLER BELT - 3 PLY - SMOOTH SURFACE - 7" X 711.88" (INCLUDES LACING PRE INSTALLED AND PIN NEEDED FOR INSTALLATION) |
| 11-2 | B73216 | AN373216 | 1 | FLAT BELT - BALER ROLLER BELT - 3 PLY - TEXTURED SURFACE - 8.74" X 717.91" (INCLUDES LACING PRE INSTALLED AND PIN NEEDED FOR INSTALLATION) |
| 11-1 | B73216-S | AN373217 | 1 | FLAT BELT - BALER ROLLER BELT - 3 PLY - SMOOTH SURFACE - 8.74" X 717.91" (INCLUDES LACING PRE INSTALLED AND PIN NEEDED FOR INSTALLATION) |
| 11-3 | B75051 | AN375051 | 1 | REPAIR SECTION: FLAT BELT - BALER ROLLER BELT - 7" X 72" |
| 11-4 | B75050 | AN375050 | 1 | REPAIR SECTION: FLAT BELT - BALER ROLLER BELT - 8.74" X 72" |
| 11-5 | B53298 | AE53298 | 1 | MATO SPLICE/HEAVY PLATE 14 SEGMENT (FOR 7" JOHN DEERE BELTS) |
| 11-6 | B86147 | E86147 | 1 | PIN NOTCHED SPRING STEEL 6.5" (FOR 7" JOHN DEERE BELTS) |
| 11-7.1 | B145902 | <-----OEM | 1 | MATO SPLICE/HEAVY PLATE 17 SEGMENT (FOR 8.74" JOHN DEERE BELTS) (USED WITH 7.87" PIN #B80413) |
| 11-7.2 | B25568 | AKK25568 | 1 | MATO SPLICE/HEAVY PLATE 18 SEGMENT (FOR 8.74" JOHN DEERE BELTS) (USED WITH 8.18" PIN #B36931) |
| 11-8.1 | B80413 | N380413 | 1 | PIN NOTCHED SPRING STEEL 7.87" (FOR 8.74" JOHN DEERE BELTS) (USE WITH 17 SEGMENT PLATE #B145902) |
| 11-8.2 | B36931 | KK36931 | 1 | PIN NOTCHED SPRING STEEL 8.18" (FOR 8.74" JOHN DEERE BELTS) (USED WITH OEM LENGTH 18 SEGMENT SPLICE PLATE #B25568) |
| 11-9 | B295825 | <-----OEM | 1 | MATO SPLICE/HEAVY PLATE HAND PUNCH TOOL |
| 11-10 | B295817 | <-----OEM | 1 | MATO SPLICE/HEAVY PLATE TOOL & HAND PUNCH TOOL COMBO |
| 11-11 | B27048 | KK27048 | 1 | BELT - ROLLER BRUSH - CP690 - V-Belt - Eff.L1502mm |
| 11-12 | B4490N | L4490N | 1 | BELT - WRAP ROLL DRIVE - 7760, CP690 - V-Belt - Eff.L2098.67mm W22.35mm |
| 11-13 | B77281 | N377281 | 1 | BELT - WRAP FLOOR - 7760, CP690 - V-Belt - Eff.L2672mm W12.45mm |
| 11-14 | 31825 | KK31825 | 1 | JD BALER - WRAP GUIDE - SMALL SIZE - PLASTIC (.062 THICK) 7760-CP690 (2 USED/MACHINE) REPLACES N383021 |
| 11-15 | 31824 | KK31824 | 1 | JD BALER - WRAP GUIDE - MEDIUM SIZE - PLASTIC (.062 THICK) 7760-CP690 (2 USED/MACHINE) REPLACES N400244 |
| 11-16 | 31823 | KK31823 | 1 | JD BALER - WRAP GUIDE - LARGE SIZE - PLASTIC (.062 THICK) 7760-CP690 (3 USED/MACHINE) REPLACES N383019 |
| 11-17 | 81641 | N381641 | 1 | JD BALER - WRAP GUIDE - EXTENSION - STEEL - 3 FINGERS |
| 11-18 | 81904 | N381904 | 1 | JD BALER - WRAP GUIDE - EXTENSION - STEEL - 5 FINGERS |
| 11-19 | 81623 | N381623 | 1 | JD BALER - WRAP GUIDE - EXTENSION - STEEL - 6 FINGERS |