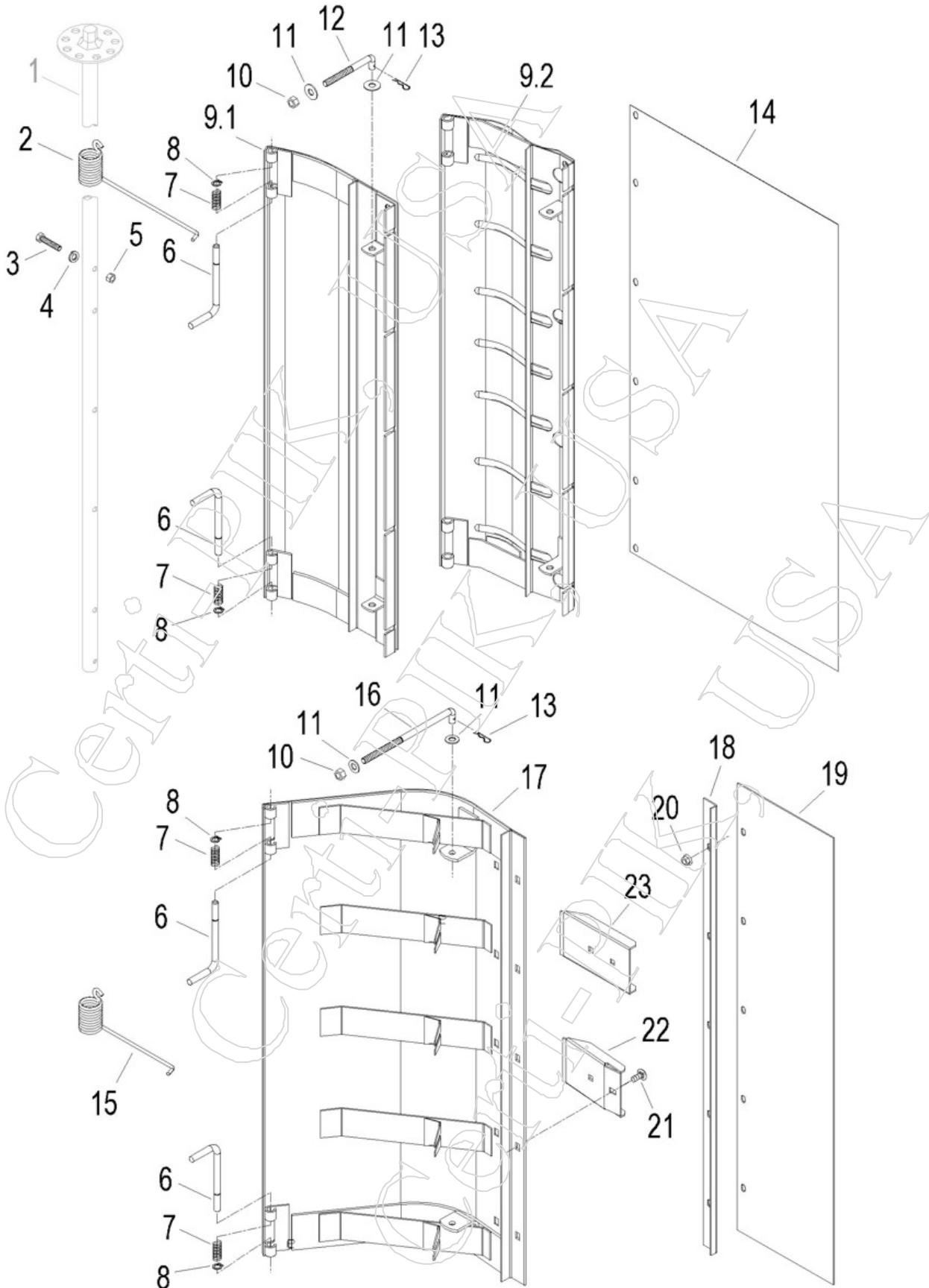


John Deere 9900-9965 Conv. F&R Pressure Plate (Hi-Drum) Assembly



John Deere 9900-9965 Conv. F&R Pressure Plate (Hi-Drum) Assembly

20-4

<u>Item</u>	<u>Part</u>	<u>OEMPart</u>	<u>Qty</u>	<u>Desc</u>
1	92467	AN192467	NA	SPRING TUBE - 20S, 9900-9965 CONV.
2.1	90466	N190466	4	SPRING - R.H. TORSION (9900-9965 CONV.) (REAR)
2.2	90467	N190467	1	SPRING - L.H. TORSION (9900-9965 CONV.) (REAR)
3	01906P	19H1906	5	BOLT - 5/16 X 1-1/2" HEX HEAD - GRADE 5
4	00303P	12H303	5	WASHER - 5/16" LOCK
5	00785P	14H785	5	NUT - 5/16 G5 - HEX
6.1	34274	N34274	2	HINGE PIN
6.2	34274K	<-----OEM	2	PIN KIT - INCLUDES: 1x #34274-PIN, 1x #19488P-SPRING, 1x #33504P-SNAP RING
7	19488P	KK19488	2	SPRING - (9900-CP690) REPLACES N33404
8	33504P	N33504	2	SNAP RING (9900-CP690)
9.1	14977	AN114977	1	PRESSURE PLATE (9900-9920, 9940 CONV.) (REAR)
9.2	92157	AN192157	1	PRESSURE PLATE - (9930, 9950-9965 CONV.) (REAR)
10	11234P	T11234	2	NUT - 3/8 - NYLON LOCK
11	01305P	24H1305	2	WASHER - .406 X .810 X .060"
12	18770	N118770	2	BOLT - ADJUSTMENT (REAR)
13	16931P	J16931	2	PIN - SPRING LOCK PIN
14	19217	N119217	1	EXTENSION - PLASTIC (9900-9930, 9940-9965 CONV.) (REAR)
15.1	90464	N190464	2	SPRING - R.H. TORSION (9900-CP690)
15.2	90465	N190465	2	SPRING - L.H. TORSION (9900-9965) (FRONT)
16	10010	N110010	2	BOLT - ADJUSTMENT (FRONT)
17	90370	AN190370	1	PRESSURE PLATE (9920-9965 CONV.) (FRONT)
18	18220	N118220	1	ANGLE - EXTENSION CLAMP (9900-9930, 9940-9965 CONV.) (REAR)
19	18221	N118221	1	EXTENSION - PLASTIC (9900-9930, 9940-9950) (FRONT)
20	10213P	N10213	10	NUT - 5/16 - SERR HEX FLANGE
21	01540P	03H1540	10	BOLT - 5/16 X 3/4" CARRIAGE
22	90424	N190424	5	PLATE - SCRAPPING (9920-9965 CONV.)
23	19535	N119535	5	PLATE - SCRAPPING (9900, 9910)