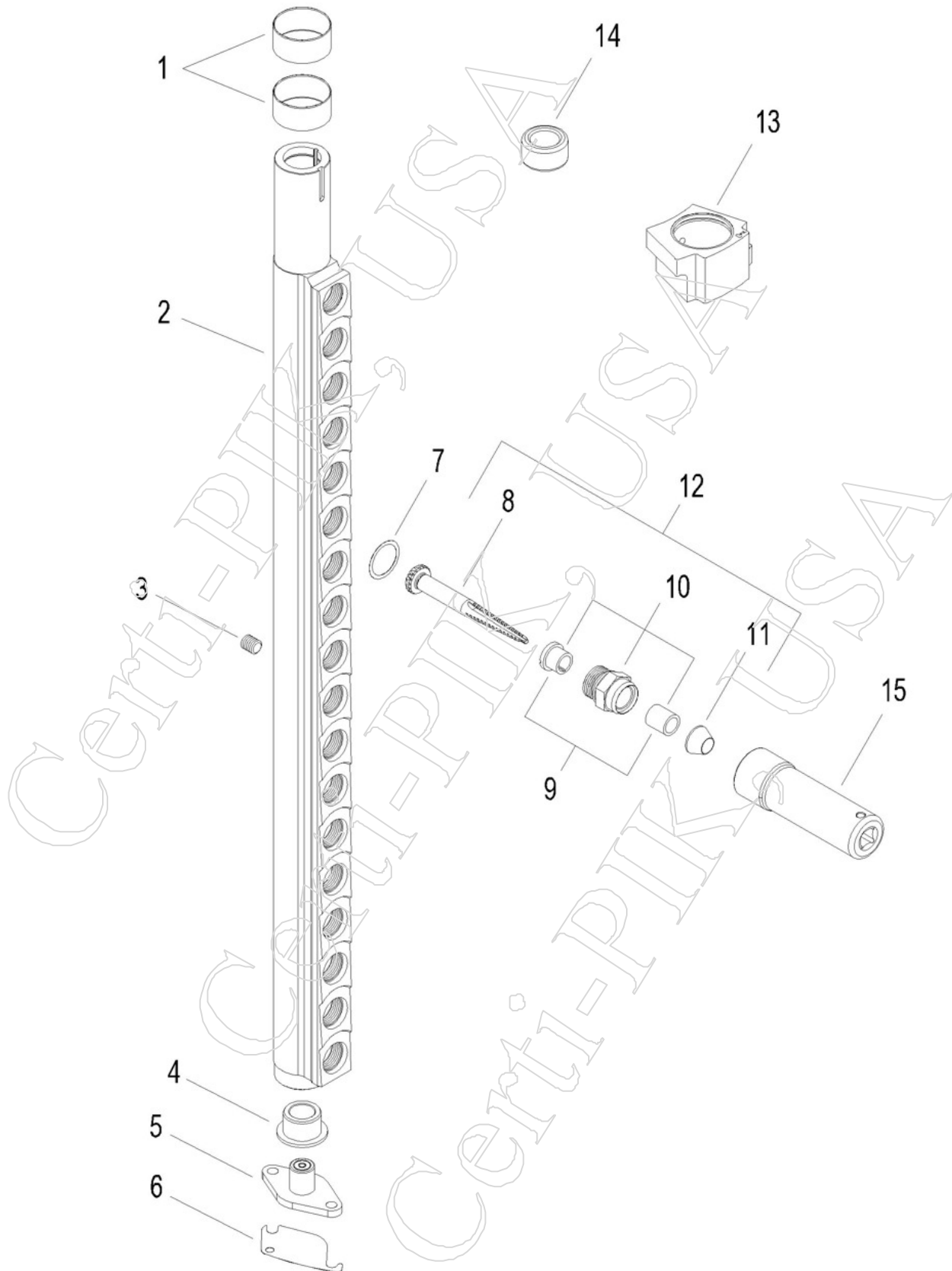


Case / IH 18 Spindle Picker Bar Assembly

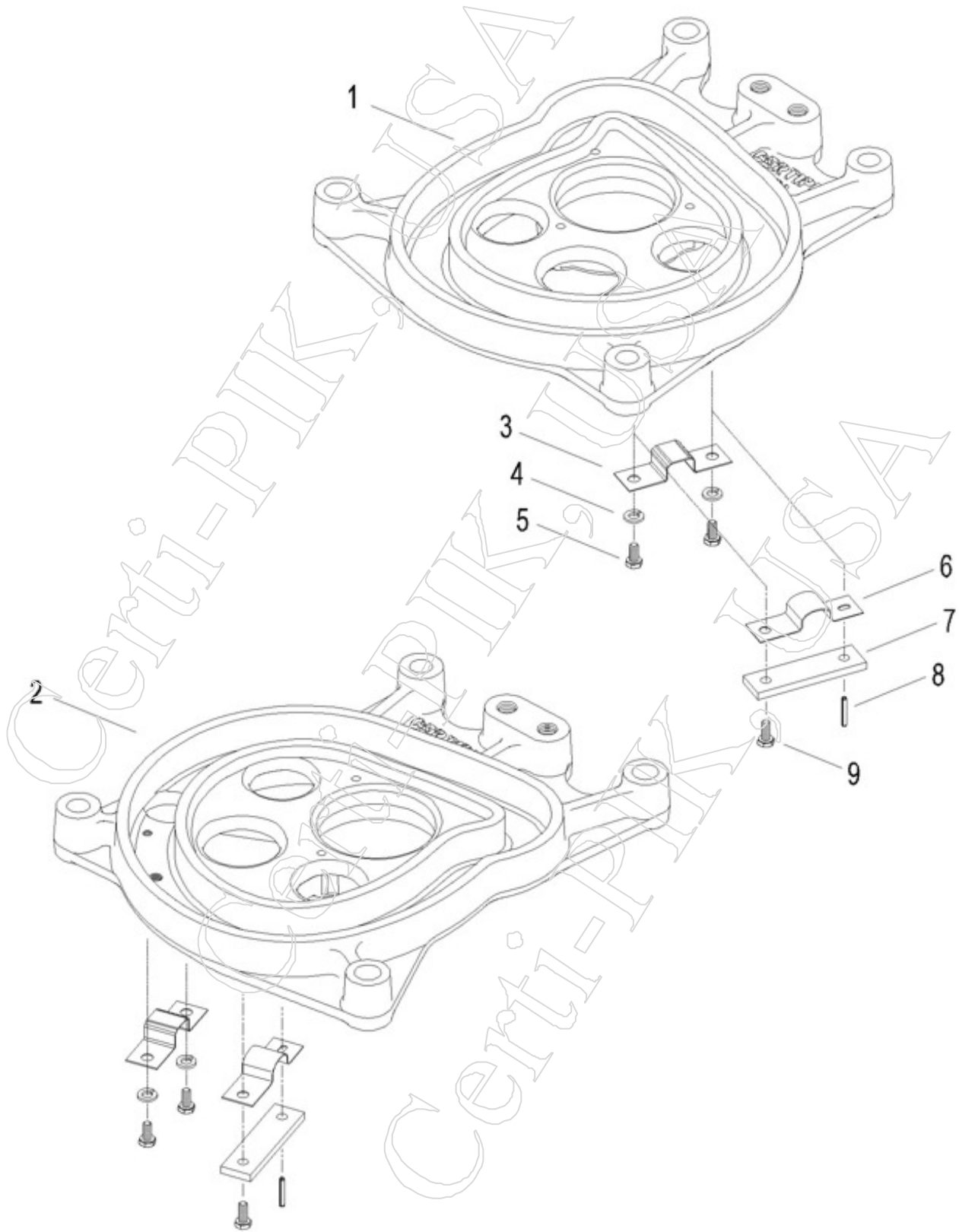


Case / IH 18 Spindle Picker Bar Assembly

80-1

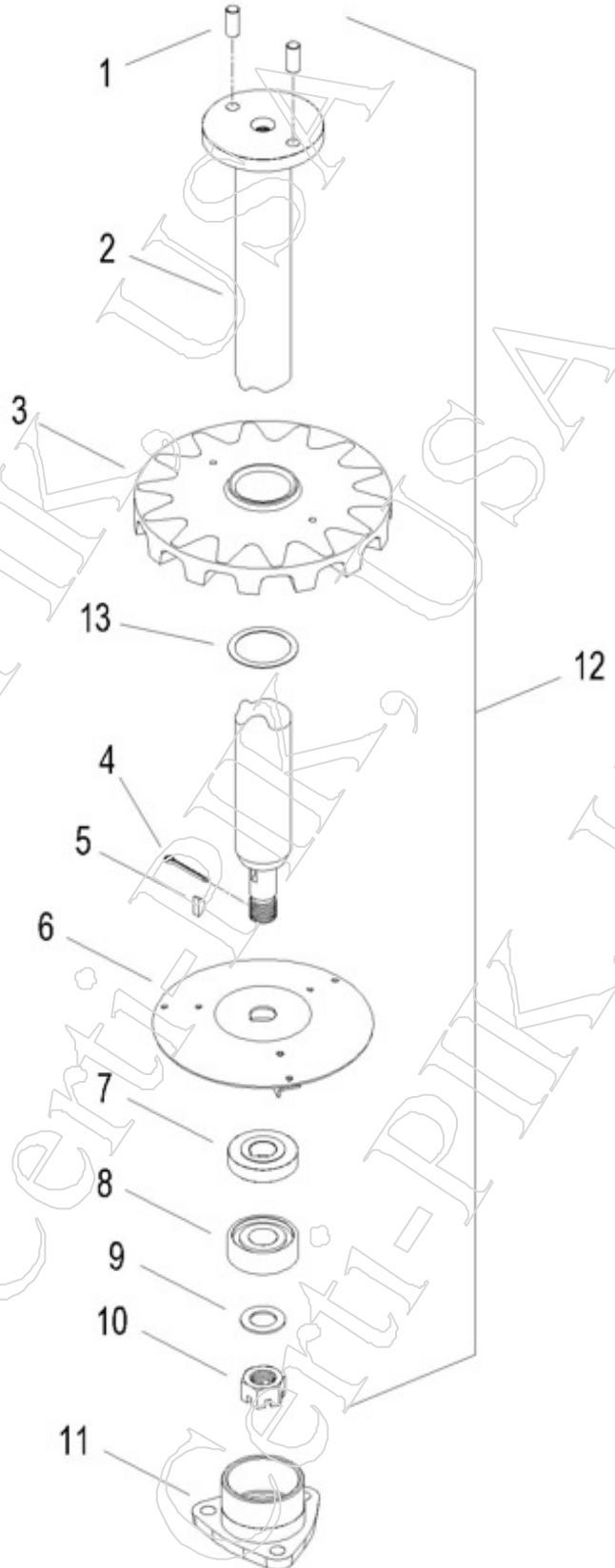
Item	Part	OEMPart	Qty	Desc
1	23634C1	223634C1	2	SLEEVE - PICKER BAR (2/BAR)
2.1	82393C1R	1982393C1	1	BAR - R.H. UNIVERSAL 1800 & 2000-635 SERIES, 18 SPINDLE WITH SLEEVES
2.2	82392C1L	1982392C1	1	BAR - L.H. UNIVERSAL 1800 & 2000-635 SERIES, 18 SPINDLE WITH SLEEVES
3	00558P	<-----OEM	1	PLUG - 1/8 PIPE PLUG
4	69815R3P	669815R3	1	BUSHING - BOTTOM BAR BUSHING (1822-635)
5	14910C2P	214910C2	1	STOOL - BAR STOOL PIVOT (1822-635)
6.1	69817R1P	669817R1P	1	SHIM - .003 BAR STOOL (USE PT. NO. 93694P)(1822-635)
6.2	69818R1P	669818R1P	1	SHIM - .005 BAR STOOL (USE PT. NO. 90952P)(1822-635)
6.3	69819R1P	669819R1P	1	SHIM - .007 BAR STOOL (1822-635)
6.4	69820R1P	669820R1P	1	SHIM - .010 BAR STOOL (USE PT. NO. 90953P)(1822-635)
7	10223P	N110223	AR	SHIM - .010" SPINDLE NUT - (REPLACES CASE/IH #674980R2)
8.1	46042A1P	346042A1	18	SPINDLE R.H. CASE/IH 90 M
8.2	46041A1P	346041A1	18	SPINDLE L.H. CASE/IH 90 M
9.1	16553C1P	216553C1	18	BUSHING - SPIN. FLANGED (1822, 1844, 2022, 2044, 2055)
9.2	16552C1P	216552C1	18	BUSHING - SPIN. STRAIGHT (1822, 1844, 2022, 2044, 2055)
9.3	94863C1P	1994863C1	18	CASE SPINDLE BUSHING STRAIGHT (NEW STYLE - SMALLER DIA): USED IN #94866C1 & #94865C1 NUT ASSYS -(2055-635)
9.4	94864C1P	1994864C1	18	CASE SPINDLE BUSHING FLANGED (NEW STYLE - SMALLER DIA): USED IN #94866C1 & #94865C1 NUT ASSYS -(2055-635)
10.1	64768A1	364768A1	18	ASSEMBLY - R.H. SPINDLE NUT WITH PRESSED BUSHINGS - USES NEW BUSHINGS #94864C1P & #94863C1P
10.2	64767A1	364767A1	18	ASSEMBLY - L.H. SPINDLE NUT WITH PRESSED BUSHINGS - USES NEW BUSHINGS #94864C1P & #94863C1P
11	16554C1P	216554C1	18	DUST CAP - SPINDLE
12.1	64348A1	364348A1	18	ASSEMBLY - R.H. PRE-ASSEMBLED SPINDLE PARTS - 90M
12.2	64347A1	364347A1	18	ASSEMBLY - L.H. PRE-ASSEMBLED SPINDLE PARTS - 90M
13	82394C2	1982394C2	1	CASE - BEARING - BAR JOURNAL - (FITS ALL 2000 SER. - 635 MOD EXP. MACHINES)
14	86948C1PRM	86948C1	1	ROLLER - CAM ROLLER - (1822-635 MOD EXP)
15	75063	N275063	1	PICKER SPINDLE SOCKET, 1-1/8 IMPACT, HARDENED, REDUCED WEIGHT, LINED WITH PLASTIC TO PROTECT BARBS

Case / IH Cam Tracks



<u>Item</u>	<u>Part</u>	<u>OEMPart</u>	<u>Qty</u>	<u>Desc</u>
1	94253A1	394253A1	1	CAM TRACK - R.H. - FRONT (WITH ROLLER SERVICE HOLE) FITS ALL 2000 SERIES - CPX 620-635 MACHINES (USES ITEMS 3-5 : SOLD SEPARATELY) REPLACES PART #1982351C1
2	94252A1	394252A1	1	CAM TRACK - L.H. - REAR (WITH ROLLER SERVICE HOLE) FITS ALL 2000 SERIES - CPX 620-635 MACHINES (USES ITEMS 3-5 : SOLD SEPARATELY) REPLACES PART #1982350C1
3	94414A1	394414A1	1	SUPPORT - CAM ROLLER ACCESS - USES 2x 5/16" BOLTS - FITS CAMTRACKS 94252A1 & 94253A1
4	00303P	492-11031	2	WASHER - 5/16" LOCK
5	0041358P	413-58	2	BOLT - 5/16 - 18 X 1/2" HEX HEAD GD5 - FITS CAMTRACKS 94252A1 & 94253A1
6	16138C2	216138C2	1	SUPPORT - CAM ROLLER ACCESS - FITS CAMTRACKS 1982351C1 & 1982350C1
7	94932C1	1994932C1	1	PLATE - SPRING RETAINER - FITS CAMTRACKS 1982351C1 & 1982350C1
8	0381916P	38-1916	1	PIN - 9/64 X 1" SLOTTED SPRING PIN (REPLACES 25954R1)
9	01813P	19H1813	1	BOLT - 5/16 X 5/8" HEX HEAD GD5

Case / IH Dofer Assembly



Case / IH Doffer Assembly

80-4

<u>Item</u>	<u>Part</u>	<u>OEMPart</u>	<u>Qty</u>	<u>Desc</u>
1	0371614P	37-1614	2	HARDENED DOWEL PIN - 3/8 X 7/8 - DOFFER (2022-635)
2	82375C1	1982375C1	1	DOFFER SHAFT - FITS ALL 2000 SERIES (2022-635)
3	4476434UPRM	84476434	18	DOFFER - LARGE URETHANE DOFFER (PREMIUM) 2000 SERIES-635 (REPLACES # 383311A1)
4	0432820P	432-820	1	COTTER PIN - LOWER DOFFER (2022-635)
5	0126113P	126-113	1	KEY - 3/16 X 5/8 WOODRUFF - DOFFER (2022-635)
6	29439C1	1329439C1	1	DISK - LOWER DOFFER (1822-635)
7	07282C1	87282C1	1	KEYED SPACER - LOWER DOFFER (1822-635)
8	7440726P	87440726	1	BEARING - LOWER DOFFER (1822-635) (REPLACES 669807R91)
9	9581039P	495-81039	1	WASHER - LOWER DOFFER - 25/32 X 1-1/4 X 1/8" (2022-635)
10	0088886P	88886	1	CASE DOFFER NUT - HEX SLOTTED 3/4 UNF G5 (2022-635)
11	69806R2	669806R2	1	LOWER DOFFER HOUSING (1822-635)
12	83429A1	383429A1	1	CASE/IH DOFFER ASSEMBLY - INCLUDES ITEMS 1-10 (2022-635)
13	0331132P	<-----OEM	18	SHIM - DOFFER - .032" THICK